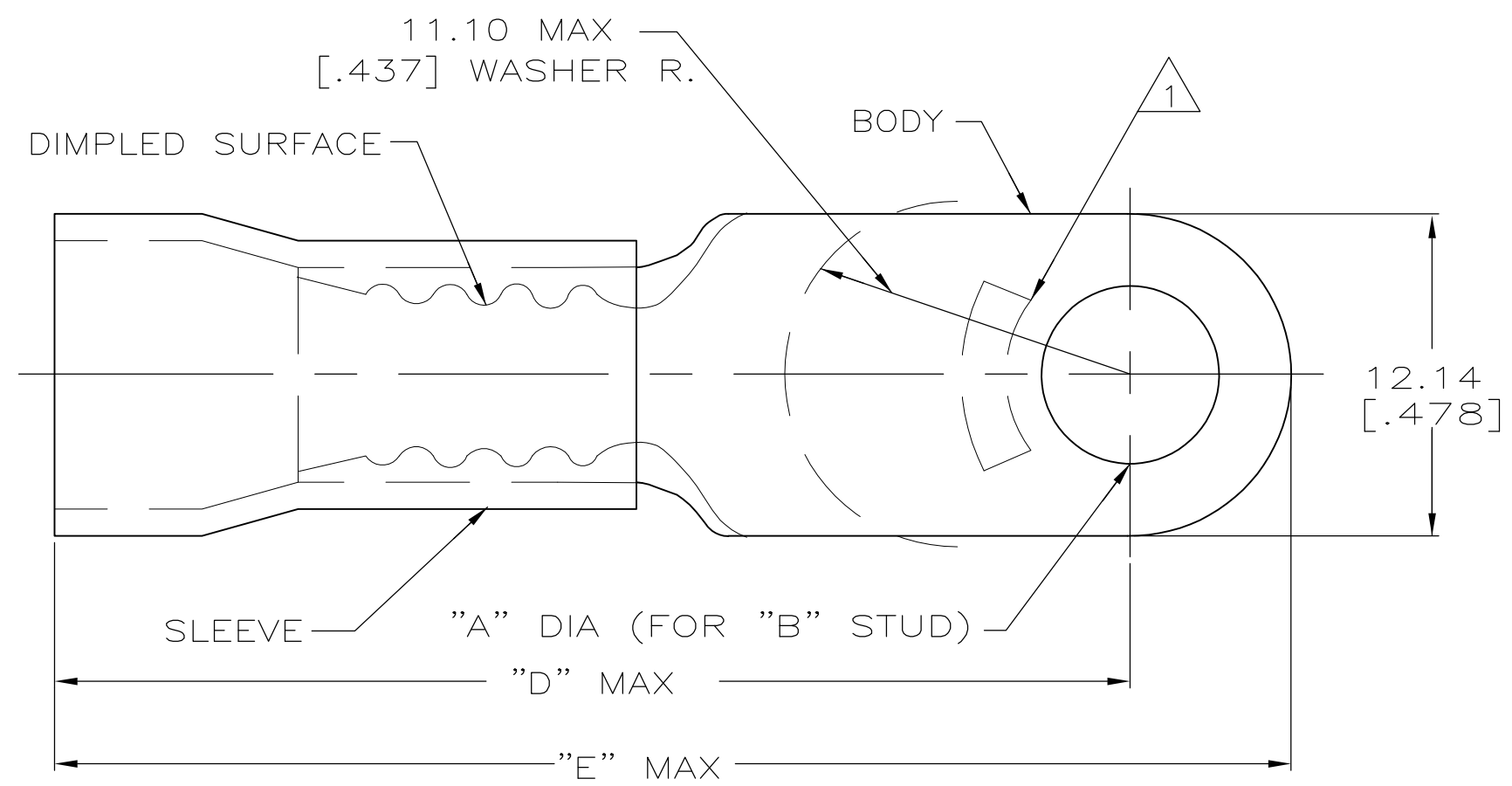


THIS DRAWING IS UNPUBLISHED. RELEASED FOR PUBLICATION
 © COPYRIGHT - By - ALL RIGHTS RESERVED.

LOC	DIST	REVISIONS					
G	14	P	LTR	DESCRIPTION	DATE	DWN	APVD
			R3	REVISED PER ECO-11-004587	07APR11	RK	HMR



AMP WIRE RANGE	RU FILE E13288	SR LR7189 Certified
8 AWG STRANDED	8 AWG STRANDED	8 AWG STRANDED

- 1 STAMP AMP 8* LOCATE APPROX AS SHOWN
- 2 TONGUE MATERIAL THK 1.02±0.08[.040±.003]
- 3 SEE TABLE FOR WIRE INSULATION DIA MAX
- 4 TAPE ITEMS ARE ON 30.48[1.200] CENTERS

40.64 [1.600]	34.49 [1.358]	8.38 [.330]	1/4	6.73±0.13 [.265±.005]	25	LOOSE PC, BOX SPL	8-52041-5
40.64 [1.600]	34.49 [1.358]	8.38 [.330]					
40.28 [1.586]	34.14 [1.344]	9.14 [.360]	#8	4.34±0.08 [.171±.003]	500	ON TAPE	52041-9
40.64 [1.600]	34.49 [1.358]	8.38 [.330]					52041-7
40.64 [1.600]	34.49 [1.358]	8.38 [.330]	1/4	6.73±0.13 [.265±.005]	100	LOOSE PC	52041-6
40.28 [1.586]	34.14 [1.344]	9.14 [.360]					52041-3
40.28 [1.586]	34.14 [1.344]	9.14 [.360]	#8	4.34±0.08 [.171±.003]			52041-1
"E"	"D"	WIRE INSULATION DIA					"B"

AMP INCORPORATED CUSTOMER SERVICE SYSTEMS		MAX RECOMMENDED OPERATING TEMPERATURE: 105°C
FOR ADDITIONAL PRODUCT INFORMATION OR COPIES OF DRAWINGS AND TECHNICAL DOCUMENTS	PRODUCT INFORMATION CENTER 1-800-522-6752	VOLTAGE RATING: 600 V MAX
FOR APPLICATION TOOLING INFORMATION	TOOLING ASSISTANCE CENTER 1-800-722-1111	CIRCULAR MIL AREA: 6.64-10.54mm ² [13,100-20,800] STRANDED
FOR ORDER ENTRY	1-800-526-5142	

THIS DRAWING IS A CONTROLLED DOCUMENT.		DWN S.S. GOULDEN 9-28-93	STE TE Connectivity	
DIMENSIONS: mm [INCHES]		CHK R. HERSEY 9-28-93		
TOLERANCES UNLESS OTHERWISE SPECIFIED:		APVD B. BARE 9-28-93	NAME TERMINAL, RING TONGUE, PLASTI-GRIP WIRE SIZE: 8 AWG	
0 PLC ± - 1 PLC ± - 2 PLC ± 0.20[.008] 3 PLC ± - 4 PLC ± - ANGLES ± -		PRODUCT SPEC NOT AVAILABLE	SIZE A300779	
MATERIAL COPPER PER ASTM B-152 PVC, COLOR: RED		FINISH TIN PLATE PER ASTM-B545	DRAWING NO C-52041	
		WEIGHT -	RESTRICTED TO -	
CUSTOMER DRAWING		SCALE 4:1	SHEET 1 OF 1	
				REV R3

Mouser Electronics

Authorized Distributor

Click to View Pricing, Inventory, Delivery & Lifecycle Information:

[TE Connectivity:](#)

[52041-3](#)