

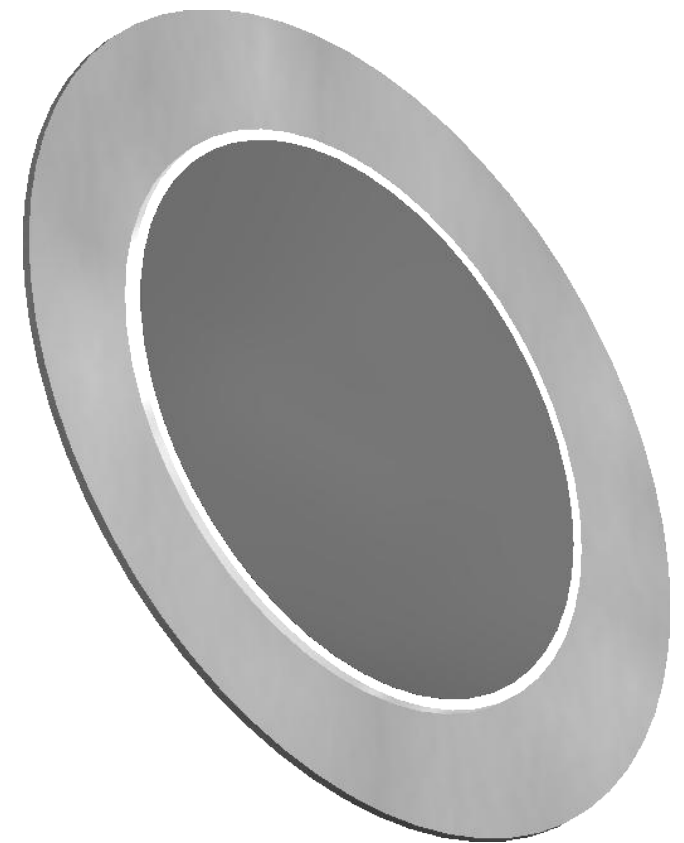
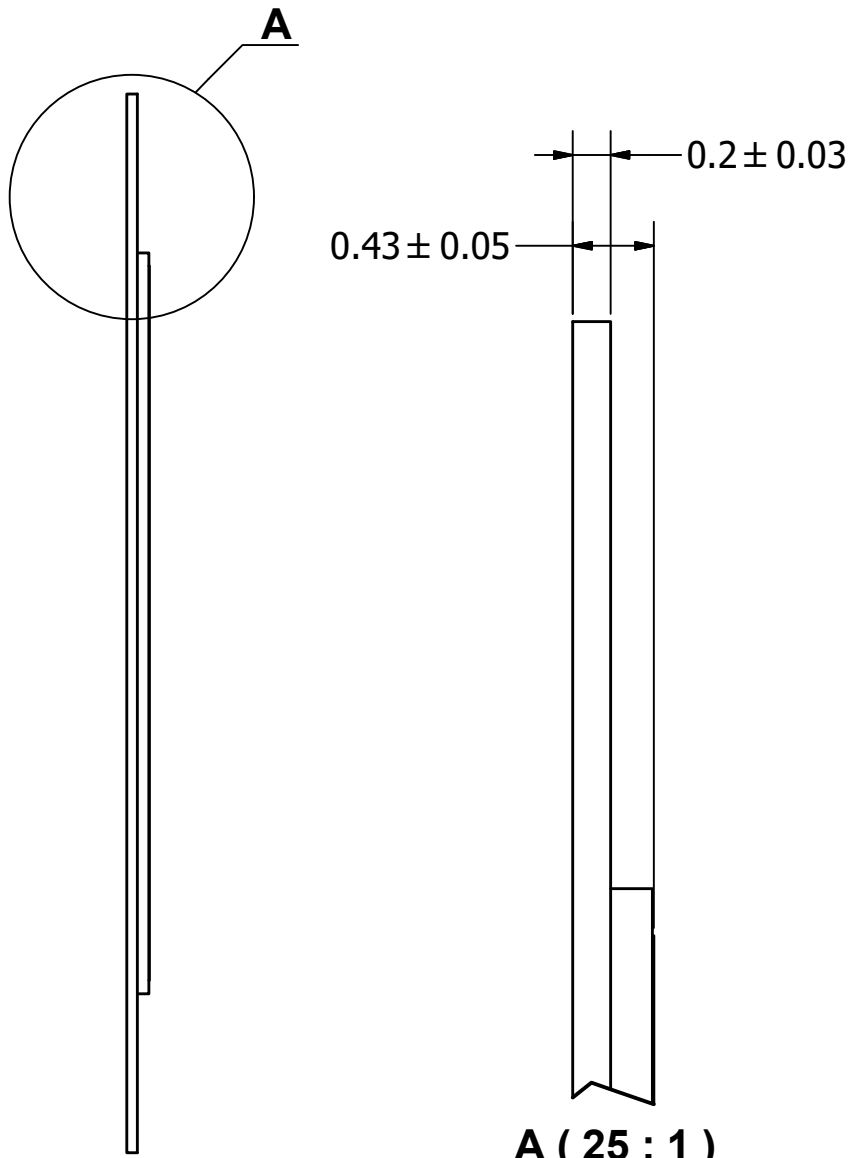
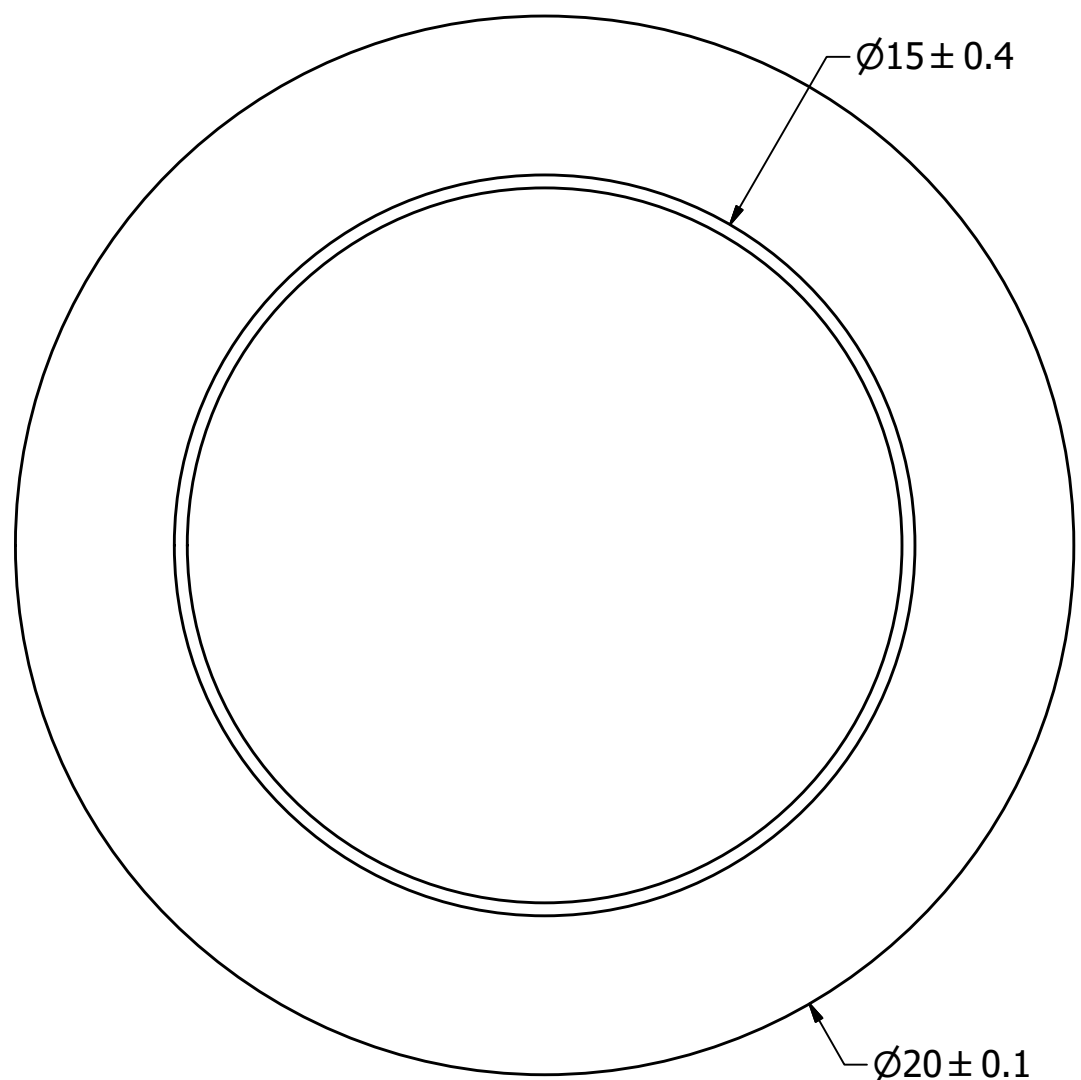
SPECIFICATIONS

PARAMETERS	VALUES	UNIT
RESONANT FREQUENCY	7,200 ± 300	Hz
RESONANT IMPEDANCE (MAX)	300	Ohm
MAX INPUT VOLTAGE	30	Vp-p
CAPACITANCE @ 120 HZ	10,000 ± 30%	pF
PLATE MATERIAL	STAINLESS STEEL	-
OPERATING TEMPERATURE	-20 ~ +60	°C
STORAGE TEMPERATURE	-20 ~ +70	°C

THIS DOCUMENT CONTAINS DATA PROPRIETARY TO PROJECTS UNLIMITED, INC. ANY USE OR REPRODUCTION, IN ANY FORM, WITHOUT PRIOR WRITTEN PERMISSION OF PROJECTS UNLIMITED, INC. IS PROHIBITED.
©2003, Projects Unlimited Inc.

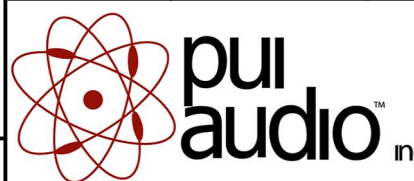
REVISION HISTORY

LTR	DESCRIPTION	DATE	APPROVED
-	RELEASED FROM ENGINEERING	11/6/2001	
A	REVISED TO NEW TEMPLATE	9/16/2003	R.W.
B	REVISED SPECIFICATIONS	1/12/2004	R.W.
C	REVISED PLATE MATERIAL	6/15/2005	B.R.
D	REVISED DIMENSION SIZE AND SYLE	1/19/2006	B.R.
E	REVISED CERAMIC DIMENSION	9/24/2007	R.W.
F	REVISED TO INVENTOR 3-D DRAWING TEMPLATE	10/16/2007	B.R.
G	REVISED FREQUENCY OF CAPACITANCE SPECIFICATION	02/12/2020	M.V.



A (25 : 1)

- NOTES:**
1. ALL DIMENSIONS ARE IN MILLIMETERS.
 2. SPECIFICATIONS SUBJECT TO CHANGE OR WITHDRAWL WITHOUT NOTICE.
 3. THIS PART IS ROHS 2011/65/EU COMPLIANT.

UNLESS OTHERWISE SPECIFIED: DIMENSIONS ARE IN MILLIMETERS, TOLERANCES ARE ±0.5 AND ANGLES ARE ±3°.	SIZE A3	Designed by	Date	Checked by	Date	Approved by	Date	Drawn Date
		RABL	11/6/2001			S.J.	11/7/2001	10/16/2007
AB2072S.idw				AB2072S				
		Bender			Edition	Sheet		
					-	1 / 1		

Mouser Electronics

Authorized Distributor

Click to View Pricing, Inventory, Delivery & Lifecycle Information:

[PUI Audio:](#)

[AB2072S](#)