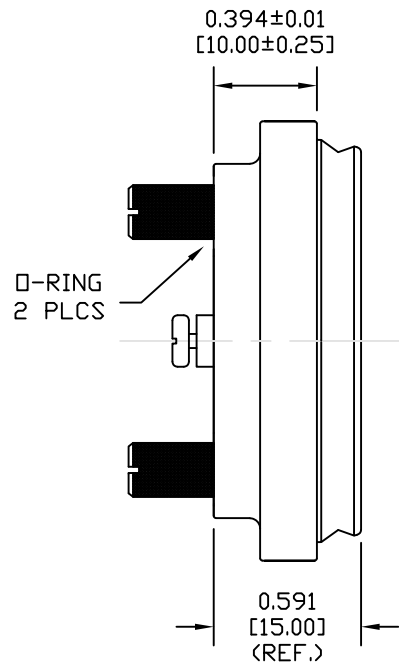


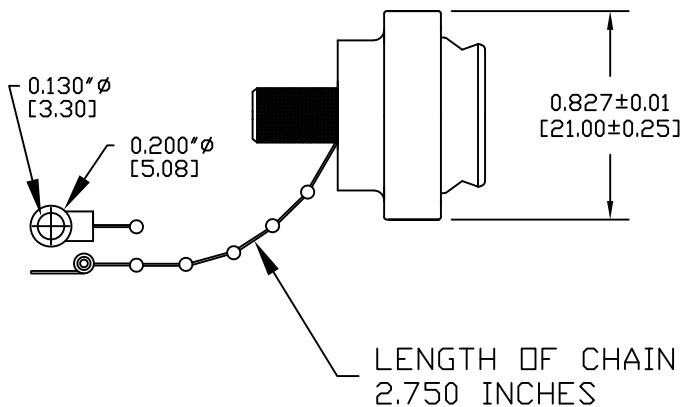
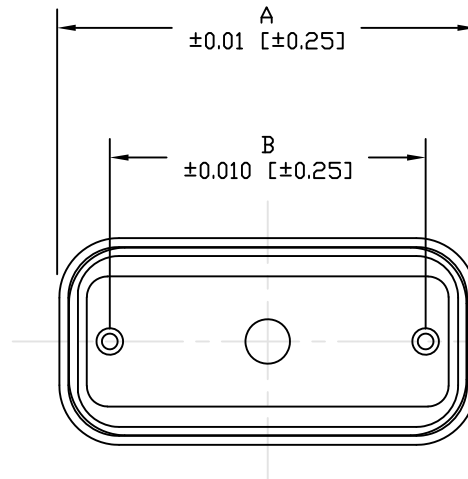
DESCRIPTION: IP67 - CONNECTOR COVER

**MATERIAL & FINISH:**

BACKSHELL: ABS - UL HB RATED, BLACK COLOR  
 BUSHING & BAFFLE: SILICONE  
 THUMBSCREWS: BRASS, NICKEL PLATED  
 ABS TEMPERATURE: -0°C TO 80°C  
 SILICON TEMPERATURE: -35°C TO 116°C



| POS. | A                | B                |
|------|------------------|------------------|
| 9    | 1.653<br>[42.0]  | 0.984<br>[25.0]  |
| 15   | 1.980<br>[50.3]  | 1.311<br>[33.3]  |
| 25   | 2.521<br>[64.04] | 1.852<br>[47.05] |



SERIES \_\_\_\_\_ 967-YYY-CAP

POSITIONS \_\_\_\_\_

009 (ALSO FITS 15 POS HIGH DENSITY)  
 015 (ALSO FITS 26 POS HIGH DENSITY)  
 025 (ALSO FITS 44 POS HIGH DENSITY)

DO NOT SCALE FROM DRAWING

|                     |   |  |                      |                  |
|---------------------|---|--|----------------------|------------------|
|                     | THESE DRAWINGS AND SPECIFICATIONS ARE THE PROPERTY OF NorComp AND SHALL NOT BE REPRODUCED, COPIED OR USED AS THE BASIS FOR THE MANUFACTURE OF SALE OF APPARATUS WITHOUT WRITTEN PERMISSION. |  | DRAWN:<br>P. JENKINS | DATE:<br>7-21-11 |
|                     | NorComp   |  | SCALE:<br>NTS        | SHEET OF<br>1 1  |
| DWG NO. 967-YYY-CAP |   |  |                      |                  |

RoHS COMPLIANT

# Mouser Electronics

Authorized Distributor

Click to View Pricing, Inventory, Delivery & Lifecycle Information:

[NorComp:](#)

[967-009-CAP](#) [967-015-CAP](#) [967-025-CAP](#)