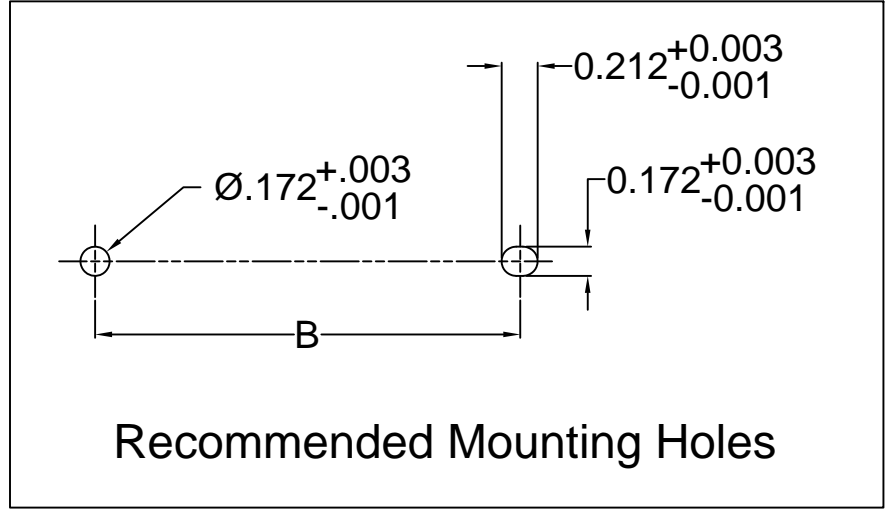
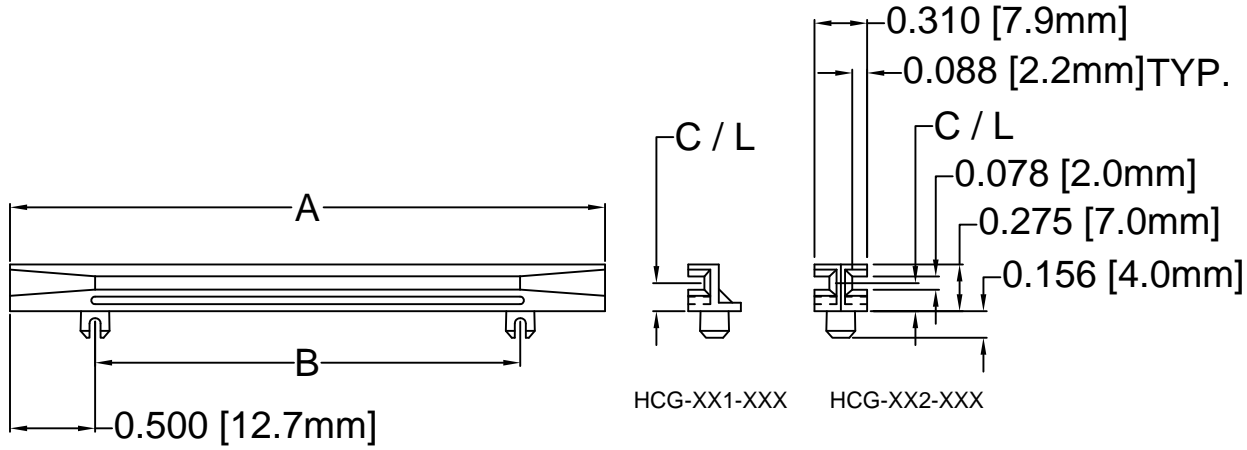


REV.	DESCRIPTION	DATE	APPROVED
F	Engineering Update w/o Changes	02/27/04	M. C.
G	Removed Material Code	05/13/16	J. C.



PART NO.		A ±.032 (.8)	B ±.016 (.4)	C/L ±.005 (.1)
HCG-201-165	HCG-202-165	2.0 (50.8)	1.0 (25.4)	.165 (4.2)
HCG-251-165	HCG-252-165	2.5 (63.5)	1.5 (38.1)	.165 (4.2)
HCG-301-165	HCG-302-165	3.0 (76.2)	2.0 (50.8)	.165 (4.2)
HCG-351-165	HCG-352-165	3.5 (88.9)	2.5 (63.5)	.165 (4.2)
HCG-401-165	HCG-402-165	4.0 (101.6)	3.0 (76.2)	.165 (4.2)
HCG-451-165	HCG-452-165	4.5 (114.3)	3.5 (88.9)	.165 (4.2)
HCG-501-165	HCG-502-165	5.0 (127.0)	4.0 (101.6)	.165 (4.2)
HCG-551-165	HCG-552-165	5.5 (139.7)	4.5 (114.3)	.165 (4.2)
HCG-601-165	HCG-602-165	6.0 (152.4)	5.0 (127.0)	.165 (4.2)

- 2. MATERIAL: NYLON 66, 94V-0, BLACK.
- 1. GENERAL SPECIFICATIONS: BIVAR MOLDED COMPONENT SPECIFICATION BV00-E101.

STANDARD TOLERANCE (UNLESS OTHERWISE SPECIFIED)		<b>BIVAR</b> <sup>®</sup> 4 THOMAS, IRVINE, CA. 92618 TEL: (949) 951-8808 FAX: (949) 951-3974	
DECIMALS	ANGULAR		
.X ±.1	X° ± 1°		<b>TITLE:</b> DOUBLE SIDED HORIZONTAL CARD GUIDE FOR P.C.B.
.XX ±.01			
.XXX ±.005		<b>DESIGNED:</b> S. Irving	<b>DATE:</b> 10/21/99
<b>CHECKED:</b> D. Green		<b>DATE:</b> 11/26/02	<b>PART NO:</b> HCG-XXX-XXX
		<b>CAGE CODE :</b> 32559	<b>REVISION:</b> G
		<b>SHEET #</b> 1 OF 1	CAD GENERATED DOCUMENT. DO NOT MEASURE DRAWING.

# Mouser Electronics

Authorized Distributor

Click to View Pricing, Inventory, Delivery & Lifecycle Information:

## BIVAR:

[HCG-501-165](#) [HCG-201-165](#) [HCG-202-165](#) [HCG-251-165](#) [HCG-252-165](#) [HCG-301-165](#) [HCG-302-165](#) [HCG-351-165](#) [HCG-352-165](#) [HCG-401-165](#) [HCG-402-165](#) [HCG-451-165](#) [HCG-452-165](#) [HCG-502-165](#) [HCG-551-165](#) [HCG-552-165](#) [HCG-601-165](#) [HCG-602-165](#)