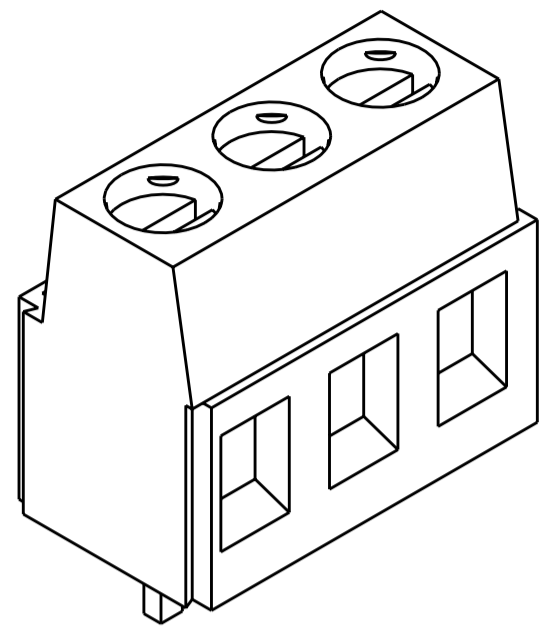
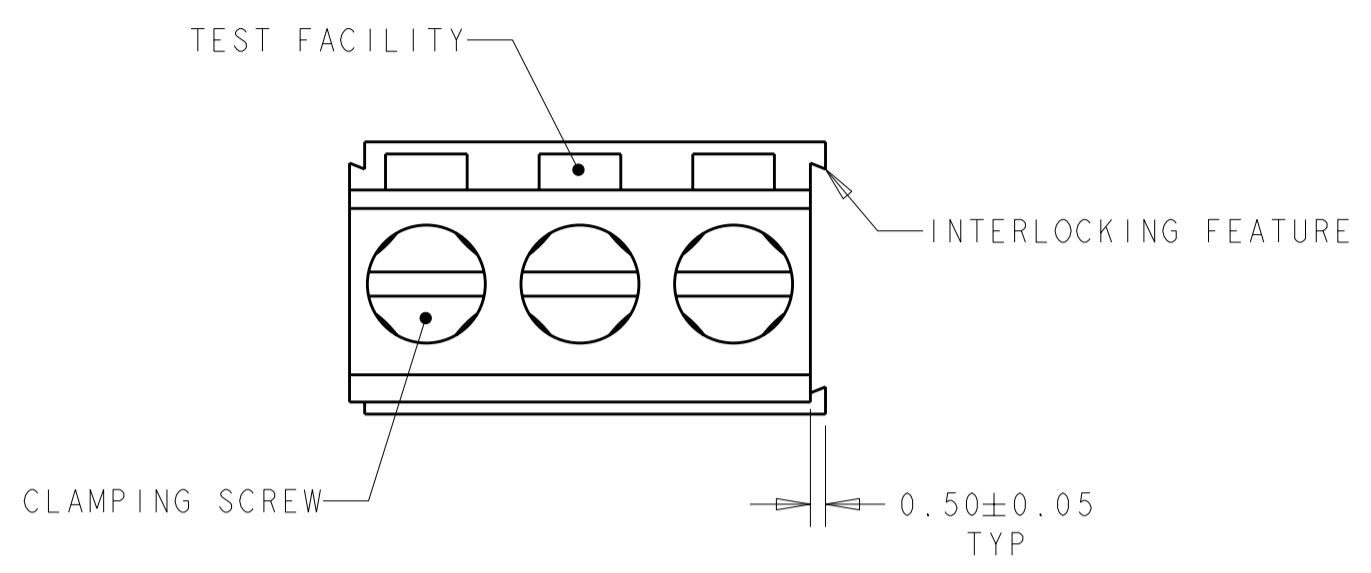


THIS DRAWING IS UNPUBLISHED. RELEASED FOR PUBLICATION 20
 © COPYRIGHT 20 BY TYCO ELECTRONICS CORPORATION. ALL RIGHTS RESERVED.

LOC		DIST		REVISIONS			
P	LTR	DESCRIPTION	DATE	DWN	APVD		
	B2	REVISED PER ECO-09-011794	15MAY2009	HMR	CR		



796911-3 AS SHOWN

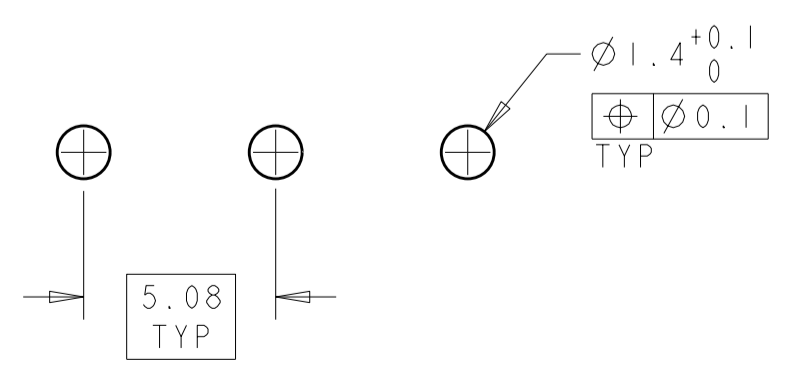
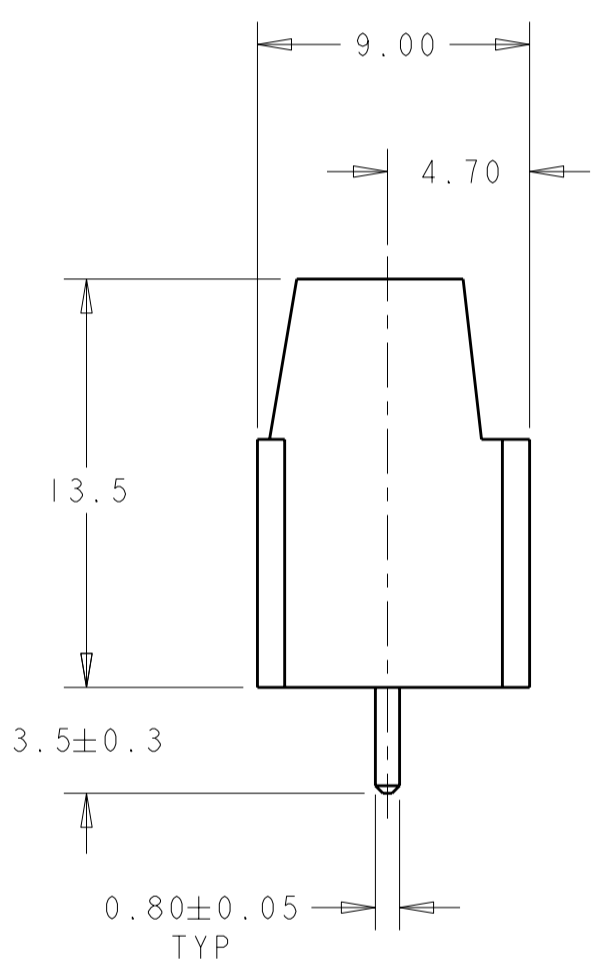
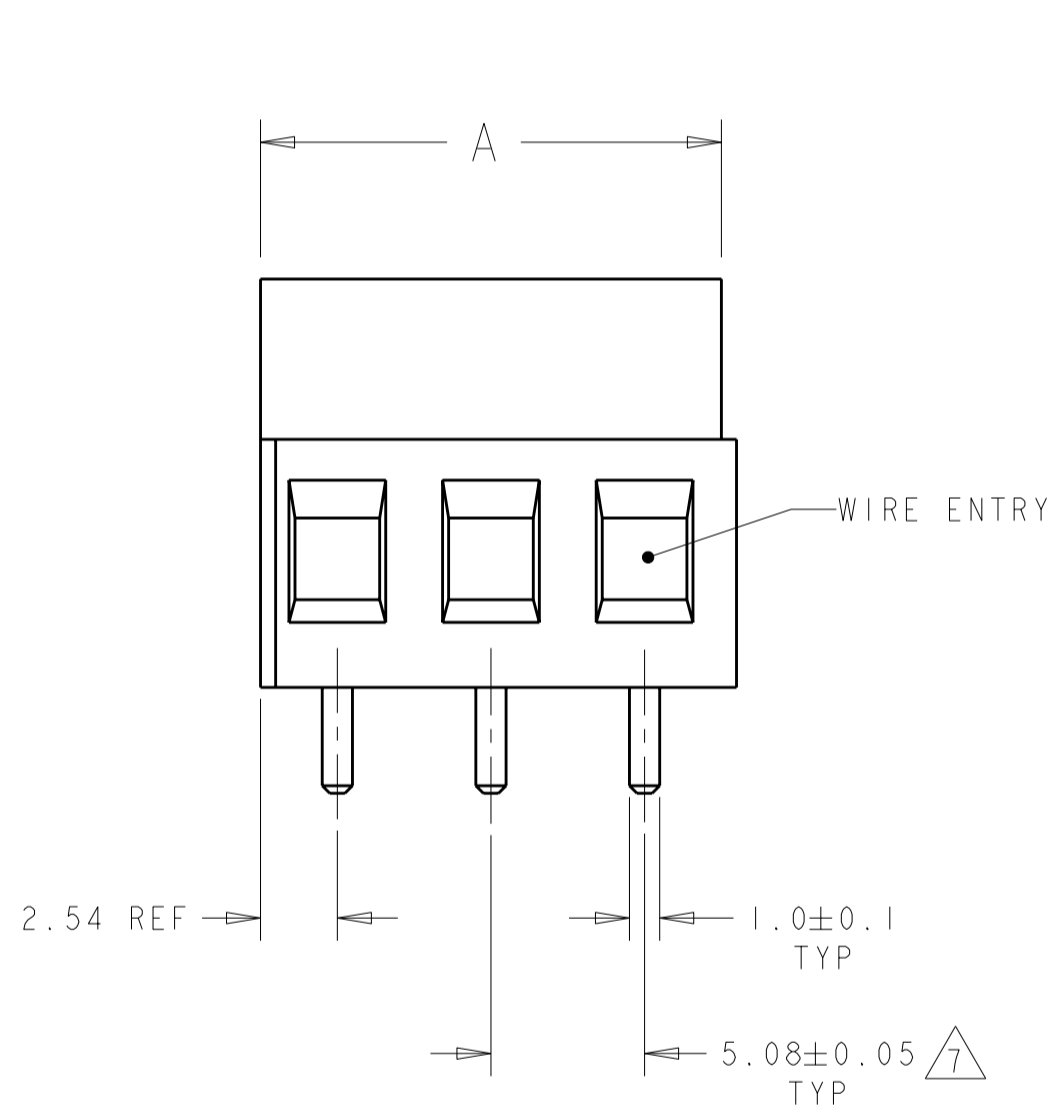
- 1 MATERIALS AND FINISH:
 HOUSING: PA 6-6, UL 94-V0, COLOR: GREEN.
 CLAMP: BRASS, NICKEL PLATED.
 TERMINAL: BRASS, TIN PLATED.
 CLAMPING SCREW: M3, BRASS, NICKEL PLATED.
- 2. SUITABLE FOR 1,6-2,4mm. PCB THICKNESS.
- 3. END-TO-END STACKABLE W/INTERLOCK WITHOUT LOSS OF CENTERLINE SPACING.
- 4. WIRE SIZE RANGE: 12-30 AWG.
- 5. RECOGNIZED UNDER THE COMPONENT PROGRAM OF UNDERWRITERS LABORATORIES INC. FILE No E60677.
- 6. IMQ CERTIFICATE WITH SURVEILLANCE IN CONFORMITY WITH IEC 998-1/998-2-1.

- 7 NOT CUMULATIVE TOLERANCE.
- 8 PARTS MARKED WITH WHITE PERMANENT INK

- 9/8 PRILIMINARY P/N
- 9/8 PRILIMINARY P/N

DETAIL	QTY	POSN	PART NUMBER
DETAIL F	243.84	48	4-1986552-8
DETAIL E	162.56	32	3-1986552-2
DETAIL D	60.96	12	2-796911-8
DETAIL C	15.24	3	2-796911-7
DETAIL B	10.16	2	2-796911-6
	127.00	25	2-796911-5
	121.92	24	2-796911-4
	116.84	23	2-796911-3
	111.76	22	2-796911-2
	106.68	21	2-796911-1
	101.60	20	2-796911-0
	96.52	19	1-796911-9
	91.44	18	1-796911-8
	86.36	17	1-796911-7
	81.28	16	1-796911-6
	76.20	15	1-796911-5
	71.12	14	1-796911-4
	66.04	13	1-796911-3
	60.96	12	1-796911-2
	55.88	11	1-796911-1
	50.80	10	1-796911-0
	45.72	9	796911-9
	40.64	8	796911-8
	35.56	7	796911-7
	30.48	6	796911-6
	25.40	5	796911-5
	20.32	4	796911-4
	15.24	3	796911-3
	10.16	2	796911-2
A	POSN	PART NUMBER	

- 9 PARTS PACKAGED IN TUBES



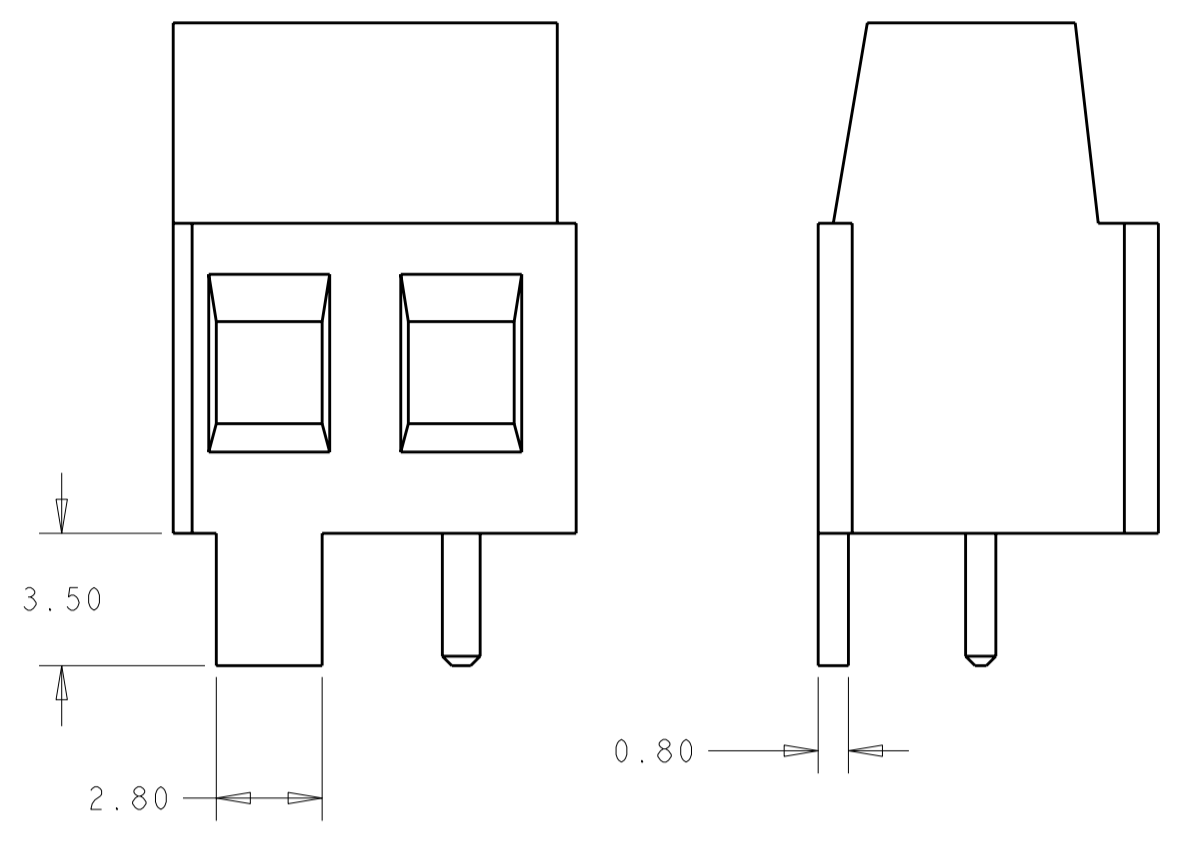
RECOMMENDED PC BOARD LAYOUT
 SCALE 5:1

THIS DRAWING IS A CONTROLLED DOCUMENT FOR TYCO ELECTRONICS CORPORATION. IT IS SUBJECT TO CHANGE AND THE CONTROLLING ENGINEERING ORGANIZATION SHOULD BE CONTACTED FOR THE LATEST REVISION.		DWN S. WELDON 13FEB2003	Tyco Electronics Harrisburg, PA 17105-3608	
DIMENSIONS: mm		CHK C. RICHARD 13FEB2003	NAME TERMINAL BLOCK, PCB MOUNT, STACKABLE W/ INTERLOCK, SIDE WIRE	
TOLERANCES UNLESS OTHERWISE SPECIFIED: 0 PLC ±0 1 PLC ±.2 2 PLC ±.25 3 PLC ±0 4 PLC ±0		APVD C. RICHARD 13FEB2003	RESTRICTED TO	
MATERIAL		PRODUCT SPEC -	SIZE A200779	DRAWING NO C-796911
FINISH		APPLICATION SPEC -	SCALE 5:1	SHEET 1 OF 2
CUSTOMER DRAWING		WEIGHT -	REV B2	

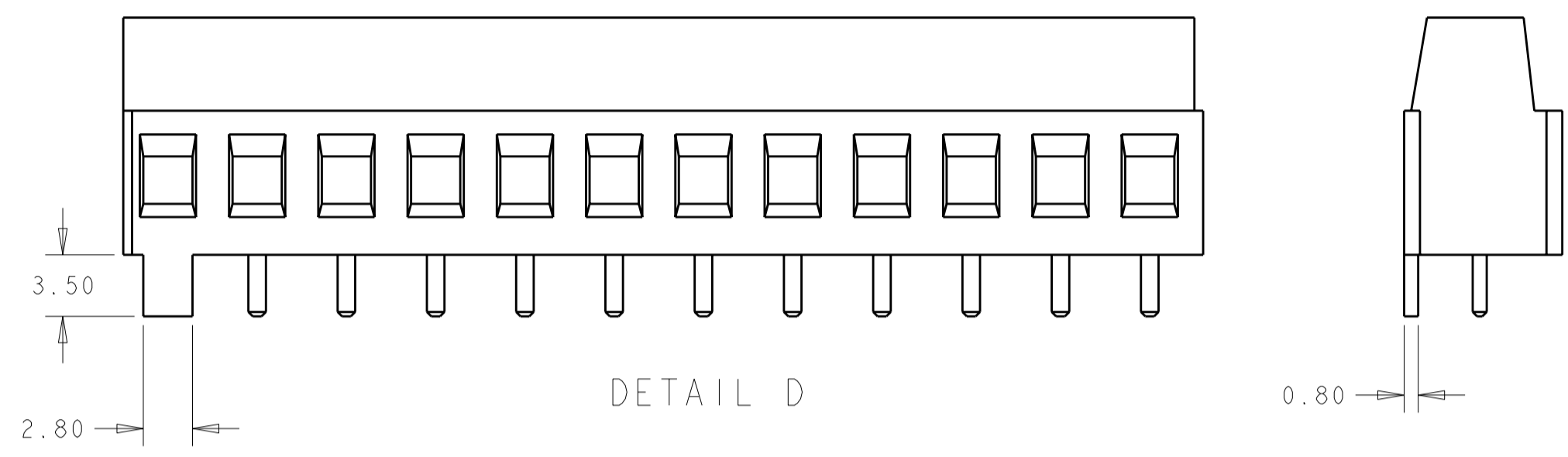
THIS DRAWING IS UNPUBLISHED. RELEASED FOR PUBLICATION 20
 © COPYRIGHT 20 BY TYCO ELECTRONICS CORPORATION. ALL RIGHTS RESERVED.

LOC		DIST		REVISIONS			
P	LTR	DESCRIPTION	DATE	DWN	APVD		
FT	0	SEE SHEET 1					

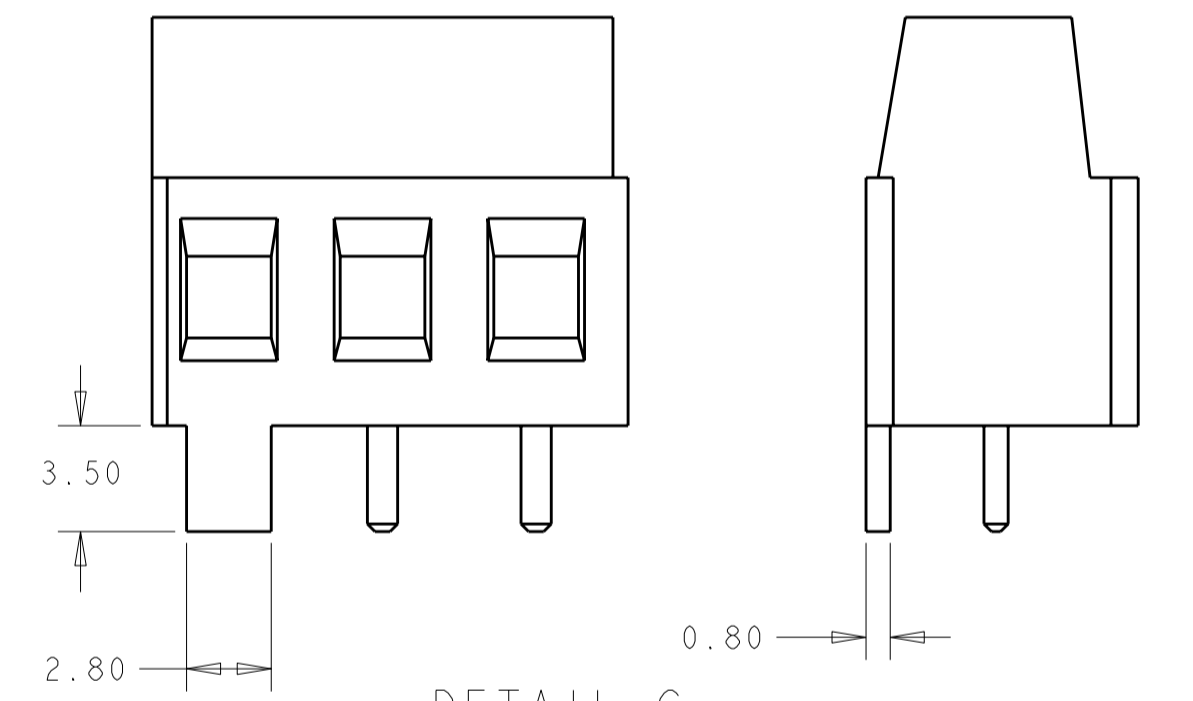
DETAIL B



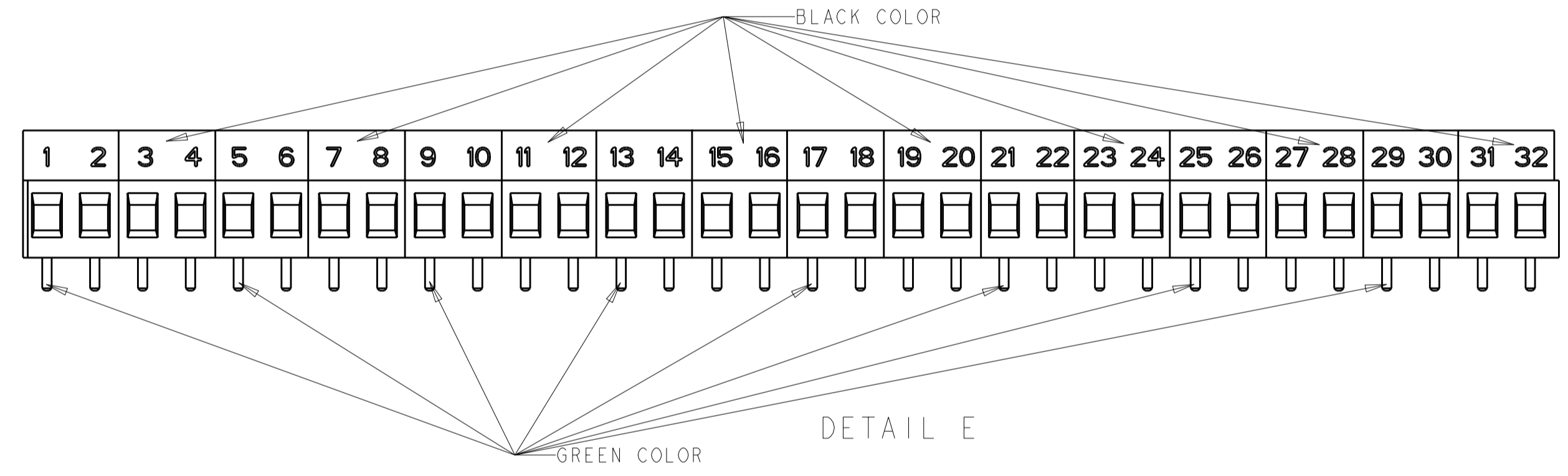
DETAIL D



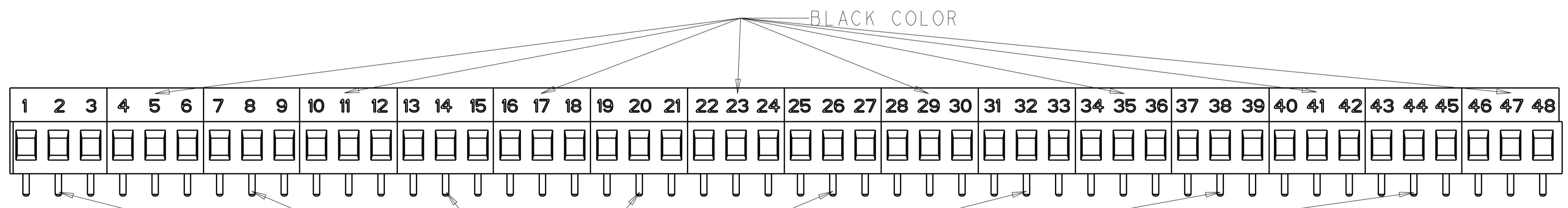
DETAIL C



DETAIL E



DETAIL F



THIS DRAWING IS A CONTROLLED DOCUMENT FOR TYCO ELECTRONICS CORPORATION. IT IS SUBJECT TO CHANGE AND THE CONTROLLING ENGINEERING ORGANIZATION SHOULD BE CONTACTED FOR THE LATEST REVISION.		DWN S. WELDON 13FEB2003	Tyco Electronics Harrisburg, PA 17105-3608
DIMENSIONS: mm		CHK C. RICHARD 13FEB2003	
TOLERANCES UNLESS OTHERWISE SPECIFIED: 0 PLC ±0 1 PLC ±.2 2 PLC ±.25 3 PLC ±0 4 PLC ±0 ANGLES ±2° FINISH		APVD C. RICHARD 13FEB2003	NAME TERMINAL BLOCK, PCB MOUNT, STACKABLE W/ INTERLOCK, SIDE WIRE
MATERIAL		PRODUCT SPEC - APPLICATION SPEC -	SIZE A200779
		WEIGHT -	DRAWING NO G-796911
		CUSTOMER DRAWING	RESTRICTED TO -
		SCALE 5:1	SHEET 2 OF 2 REV B2

Mouser Electronics

Authorized Distributor

Click to View Pricing, Inventory, Delivery & Lifecycle Information:

[TE Connectivity:](#)

[796911-5](#)