

**INCANDESCENT PANEL MOUNT INDICATORS**

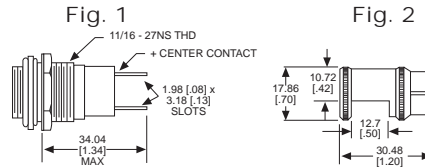


**021 SERIES FOR 11/16" MOUNTING HOLE • LIGHT SHIELD**

BASE PART NO.	VOLTAGE	FIG
021-0410-29-301	2-120	1

CAP PART NO.	COLOR	FIG
021-2900-300	NO LENS	2

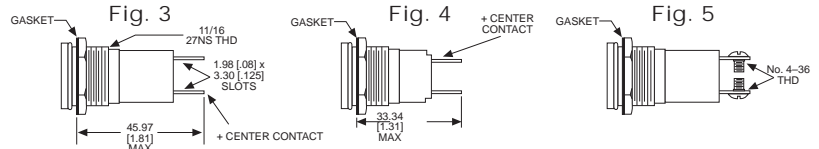
Material & Finish: Chrome Plated Brass



Uses:  
T-3 1/4 MINIATURE  
BAYONET BASE  
INCANDESCENT LAMP

**052, 081, 095, 135 SERIES FOR 11/16" MOUNTING HOLE • WATERTIGHT**

BASE PART NO.	VOLTAGE	FIG
081-0410-01-303	2-120	3
081-1059-01-303†	2-120	4
081-1310-01-303	2-120	5



† Part No. 081-1059-01-303 uses T2 Telephone Slide Base Lamp (PSB Type); CSA certified

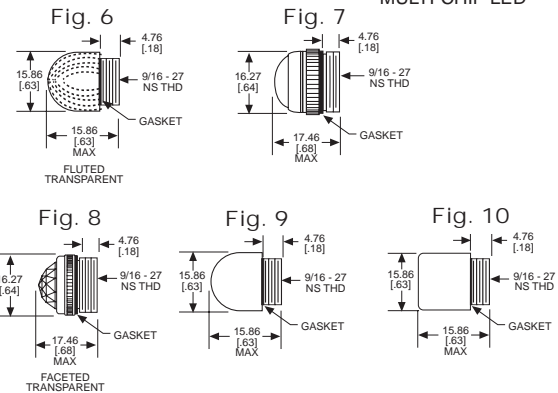
\*\* Dialight recommends: transparent lens caps for Based LED;  
Clear lens caps for green Based LEDs

Uses:  
T-3 1/4 MINIATURE BAYONET BASE  
INCANDESCENT LAMP,  
CLUSTER BASED LED\*\* OR  
MULTI-CHIP LED\*\*

CAP PART NO. *	COLOR	FIG	CAP PART NO. *	COLOR	FIG
052-3191-003	RED	6	081-0433-303	AMBER	8
052-3192-003	GREEN	6	081-0435-303	WHITE	8
052-3193-003	AMBER	6	081-0437-303	CLEAR	8
052-3195-003	WHITE	6	095-3137-003	CLEAR	9
052-3197-003	CLEAR	6	095-3171-003	RED	9
081-0111-303	RED	7	095-3172-003	GREEN	9
081-0112-303	GREEN	7	095-3173-003	AMBER	9
081-0113-303	AMBER	7	095-3175-003	WHITE	9
081-0117-303	CLEAR	7	135-3237-003	CLEAR	10
081-0135-303	WHITE	7	135-3271-003	RED	10
081-0137-303	CLEAR	7	135-3272-003	GREEN	10
081-0431-303	RED	8	135-3273-003	AMBER	10
081-0432-303	GREEN	8	135-3275-003	WHITE	10

Material & Finish: Base - Chrome Plated Brass,  
Cap - Polycarbonate with Chrome Plated Bezel on  
the 081 Series Fig. 7 and Fig. 8.

\*\* Dialight recommends: transparent lens caps for  
Based LED; Clear lens caps for green Based LEDs

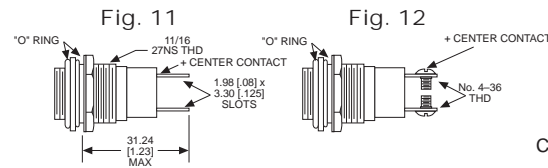


**\*PART NUMBER ORDERING CODE**  
**081-0xxx-303**  
Series Lens Finish:  
1 = Back Frosted  
(Not available in white)  
3 = Transparent\*\*

**\*PART NUMBER ORDERING CODE**  
**095 - 31xx - 003**  
**135 - 32xx - 003**  
Series Lens Finish:  
3 = Transparent\*\*  
7 = Translucent  
(Not available in clear)

**125 SERIES FOR 11/16" MOUNTING HOLE • OILTIGHT\***

BASE PART NO.	VOLTAGE	FIG
125-0410-11-103	2-120	11
125-1310-11-103	2-120	12

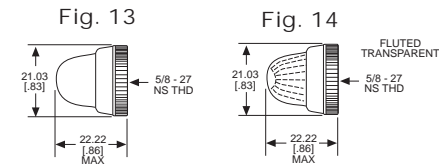


Uses:  
T-3 1/4 MINIATURE  
BAYONET BASE  
INCANDESCENT LAMP,  
CLUSTER BASED LED\*\*,  
OR MULTI-CHIP LED\*\*

CAP PART NO.	COLOR	FIG	CAP PART NO.	COLOR	FIG
125-1131-403	RED	13	125-1191-403	RED	14
125-1132-403	GREEN	13	125-1192-403	GREEN	14
125-1133-403	AMBER	13	125-1193-403	AMBER	14
125-1135-403	WHITE	13	125-1195-403	WHITE	14
125-1137-403	CLEAR	13	125-1197-403	CLEAR	14

Material & Finish: Base - Nickel Plated Brass  
Cap - Polycarbonate with Chrome Plated Brass Bezel

\* See Page 14 for Oiltight information  
Neon and incandescent lamp information on Pages 35 and 36.  
Based LED lamp information on Pages 37 through 40.



**\*PART NUMBER ORDERING CODE**  
**125 - 11xx - 403**  
Series Lens Finish:  
1 = Back Frosted  
(Not available in white)  
3 = Transparent\*\*

\*\* Dialight recommends: transparent lens caps for Based LED; Clear lens caps for green Based LEDs



# Mouser Electronics

Authorized Distributor

Click to View Pricing, Inventory, Delivery & Lifecycle Information:

Dialight:

[125-1135-403](#) [081-0135-303](#) [081-0113-103](#) [081-0112-303](#) [135-3275-003](#) [081-1310-01-303](#) [125-1195-403](#) [125-1192-403](#) [081-0111-303](#) [095-3137-003](#) [081-0117-303](#)