

THIS DRAWING IS UNPUBLISHED.

RELEASED FOR PUBLICATION

2011

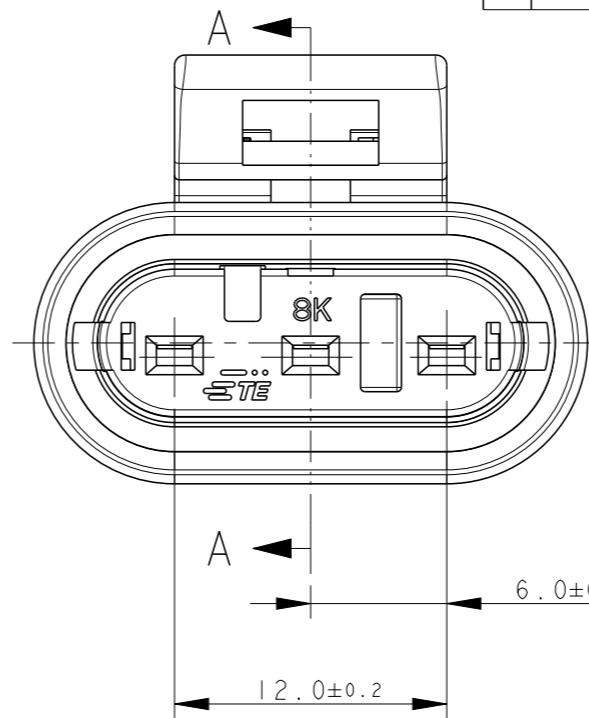
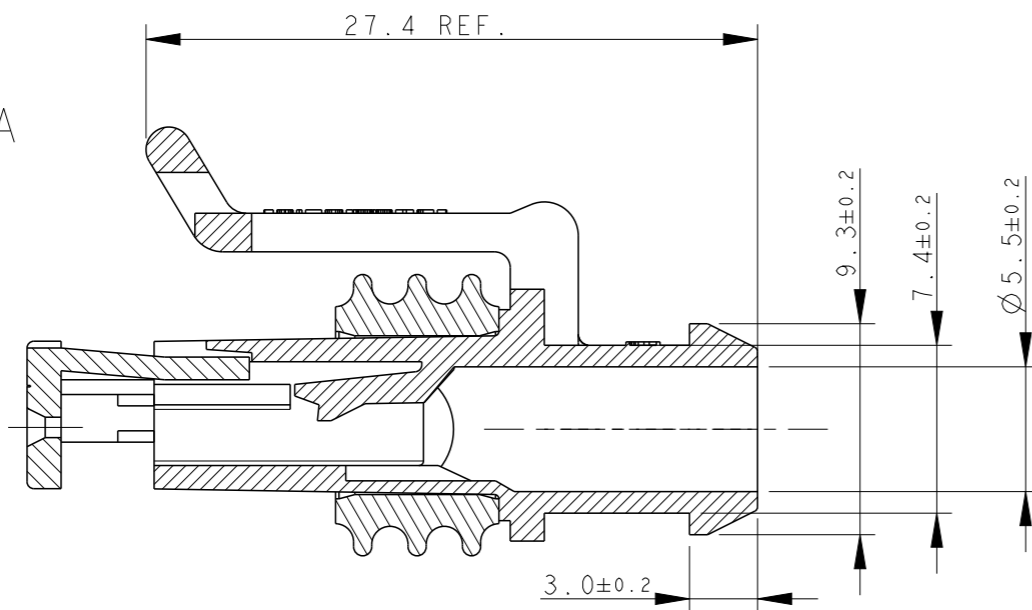
© COPYRIGHT 2011

ALL RIGHTS RESERVED.

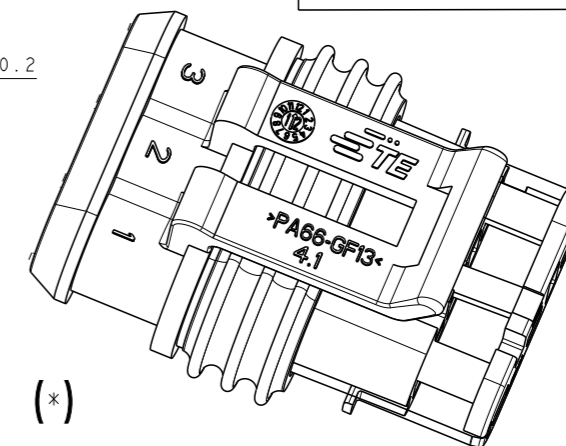
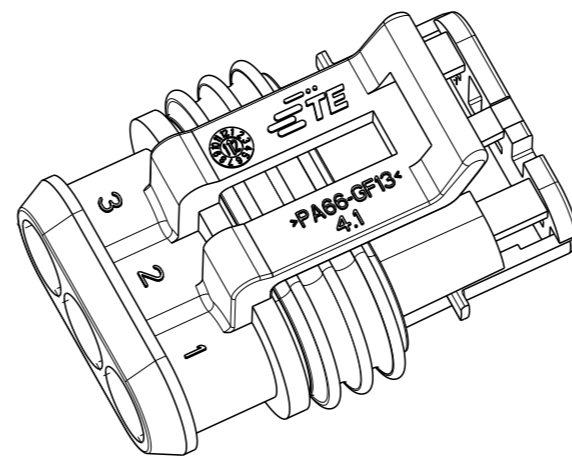
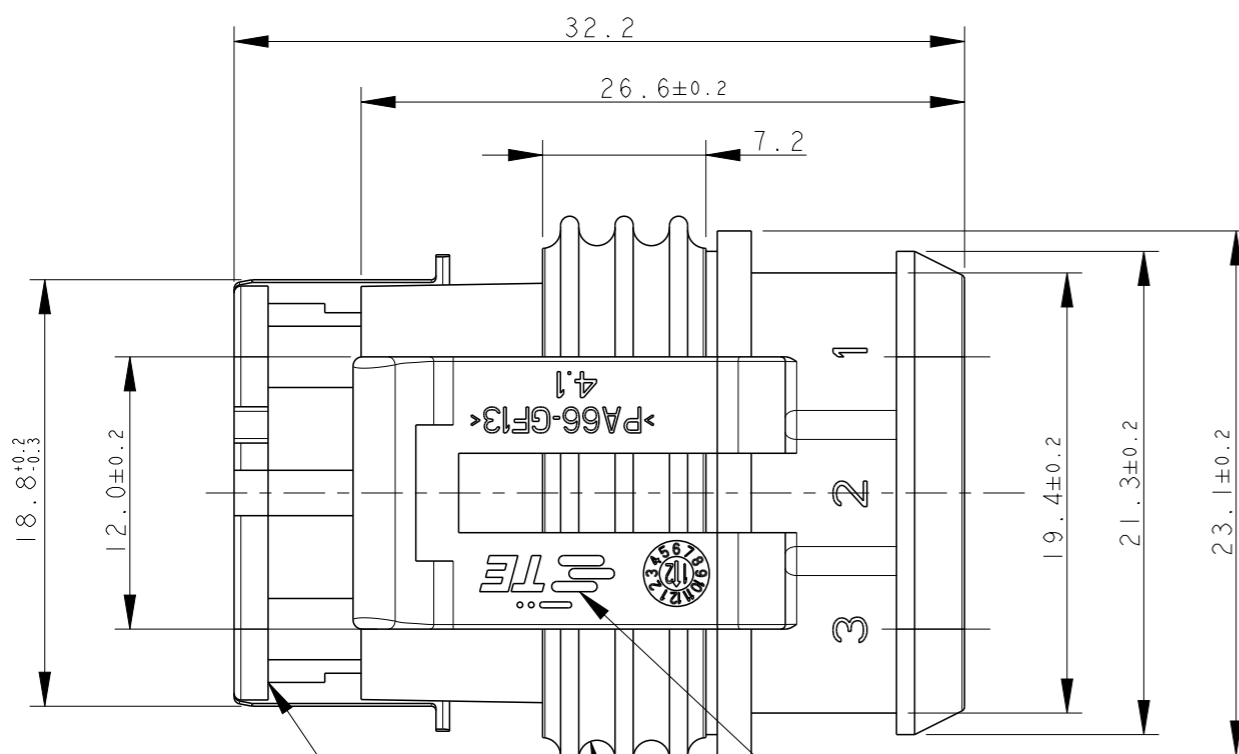
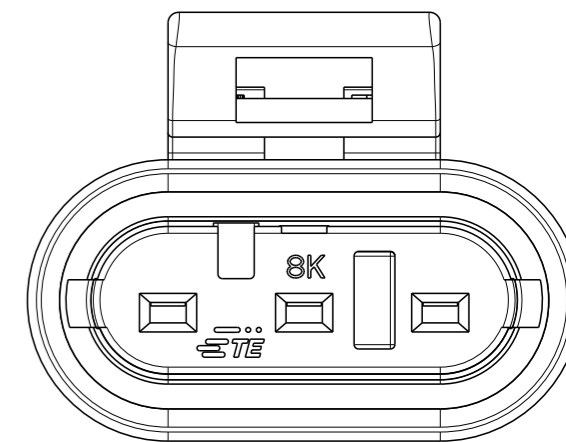
REVISIONS

P	LTR	DESCRIPTION	DATE	DWN	APVD
C2		ADDED FSL SEAL VERSION (ECO-15-016364)	13NOV2015	M.G.	M.G.
C3		REVISED PER ECO-17-001706	10FEB2017	C.A.	M.G.
C4		REVISED PER ECO-18-012780	13AUG2018	AP	VN

SECTION A-A



ONLY FOR BRAZILIAN PRODUCTION



FINISH/COLOR	MATERIAL	PART NUMBER
GRAY	HOUSING+SEC.LOCK:PA 66-GF SEALING: FSL	1-282087-2 (*)
BLACK	HOUSING+SEC.LOCK:PA 66-GF SEALING: FSL	1-282087-1 (*)
GRAY	HOUSING+SEC.LOCK:PA 66-GF SEALING: LSR	282087-2
BLACK	HOUSING+SEC.LOCK:PA 66-GF SEALING: LSR	282087-1

TE CONNECTIVITY TRADE MARK (IN ALTERNATIVE: "AMP" LOGO OR "Tyco Electronics" LOGO)

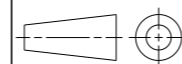
SEALING (COLOUR YELLOW FOR LSR VERSION) (COLOUR WHITE FOR FSL VERSION)

PRE-ASSEMBLED SECONDARY LOCK (COLOUR RED)

1) FOR COUNTERPART DETAILS, SEE SHEET 2 OF 2

THIS DRAWING IS A CONTROLLED DOCUMENT.

DIMENSIONS: mm



MATERIAL SEE TABLE

TOLERANCES UNLESS OTHERWISE SPECIFIED:

0 PLC	±
1 PLC	±0.3
2 PLC	±
3 PLC	±
4 PLC	±
ANGLES	±2°
FINISH	-

DWN C. BERTINI 07-1990  
 CHK A. BRUNI 07-1990  
 APVD -  
 PRODUCT SPEC 108-20090  
 APPLICATION SPEC 412-20000  
 WEIGHT 3.65gr



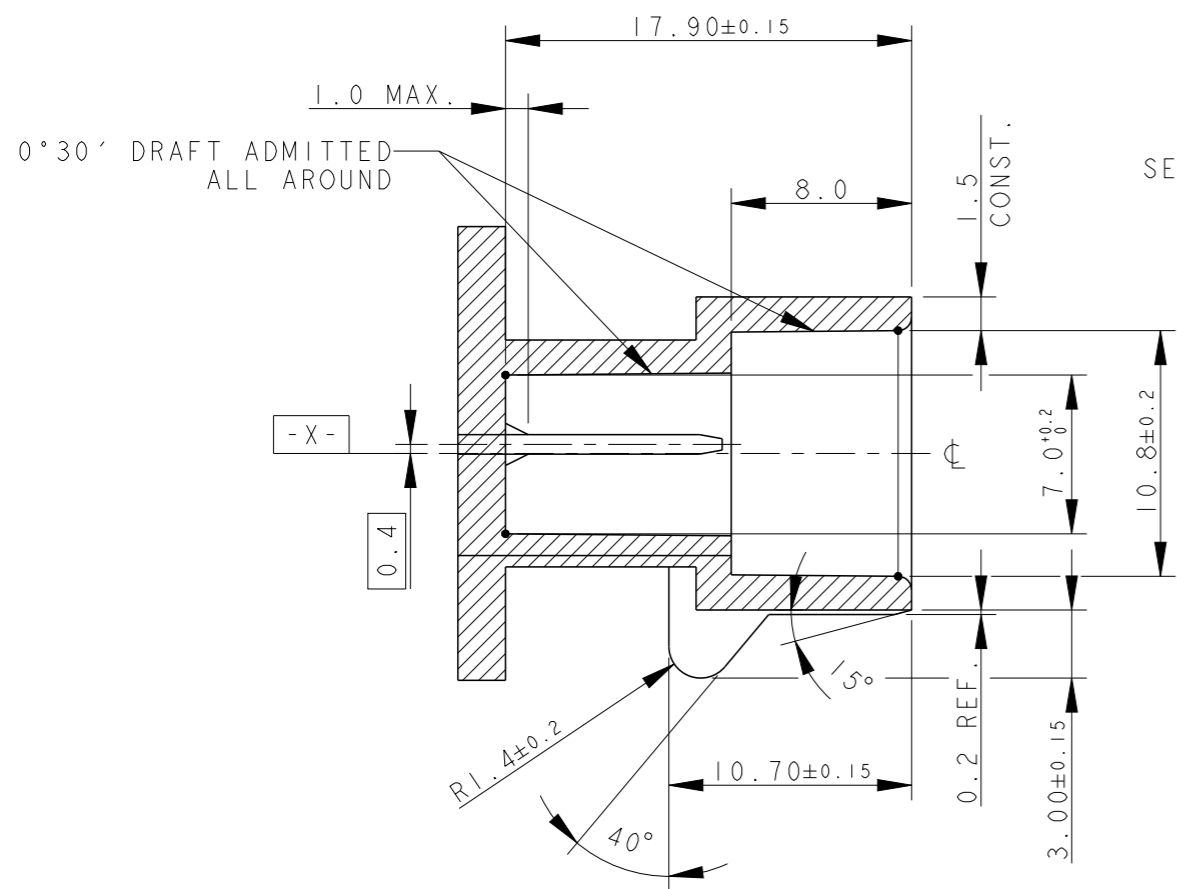
AMP SUPERSEAL 1.5 SRS. 3 POSITIONS PLUG ASS'Y

SIZE	CAGE CODE	DRAWING NO	RESTRICTED TO
A3	00779	C-282087	-
SCALE 5:1		SHEET 1 OF 2	REV C4

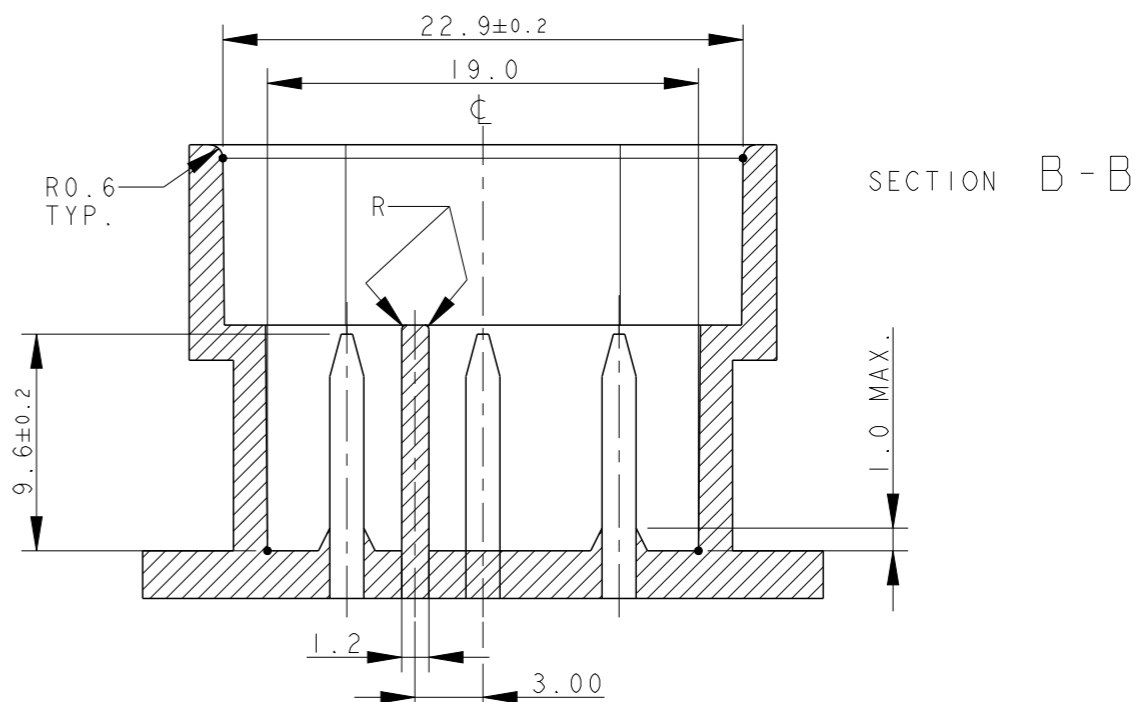
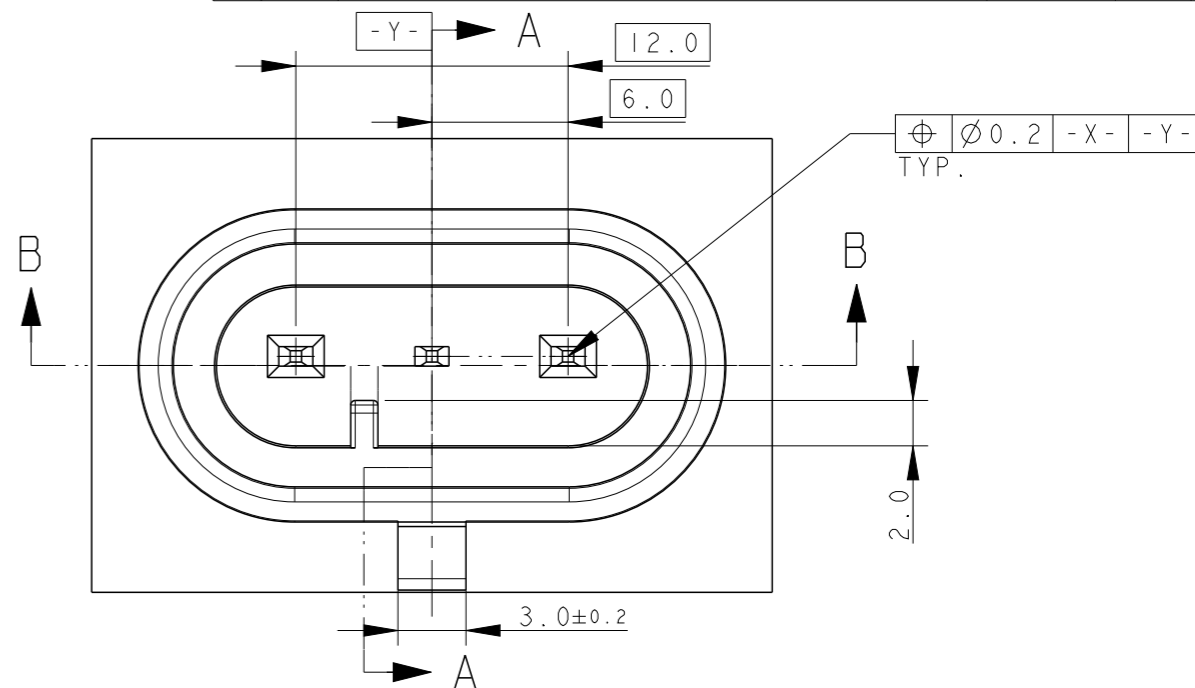
REVISIONS

P	LTR	DESCRIPTION	DATE	DWN	APVD
-	-	SEE SHEET 1	-	-	-

COUNTERPART DETAILS

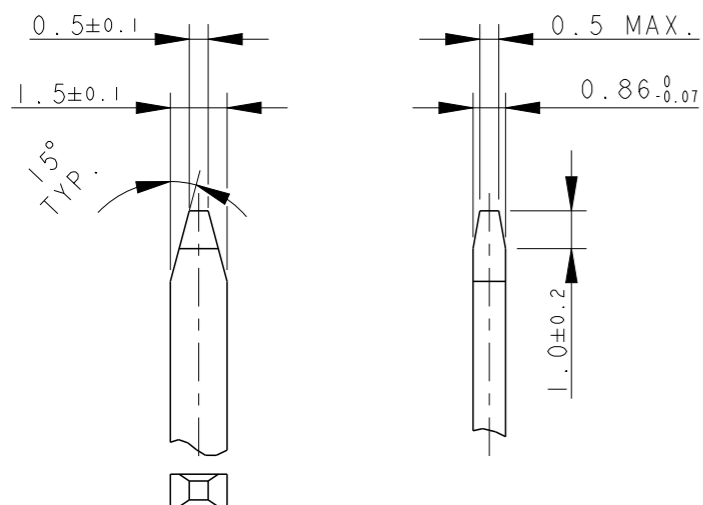


SECTION A - A



SECTION B - B

TAB DETAILS



MATERIALS: PA66-GF FOR HOUSING  
TIN PLATED BRASS FOR TABS

THIS DRAWING IS A CONTROLLED DOCUMENT.

DWN 07-1990  
C. BERTINI

CHK 07-1990  
A. BRUNI

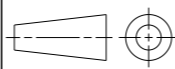
APVD -

NAME -



DIMENSIONS:  
mm

TOLERANCES UNLESS  
OTHERWISE SPECIFIED:



- 0 PLC ±0.3
- 1 PLC ±0.1
- 2 PLC ±0.05
- 3 PLC ±
- 4 PLC ±
- ANGLES ±2°

MATERIAL

FINISH

PRODUCT SPEC  
108-20090

APPLICATION SPEC  
412-20000

WEIGHT  
3.65gr

AMP SUPERSEAL 1.5 SRS.  
3 POSITIONS PLUG ASS'Y

SIZE CAGE CODE DRAWING NO RESTRICTED TO

A300779 C-282087

Customer Drawing SCALE - SHEET 2 OF 2 REV C4

# Mouser Electronics

Authorized Distributor

Click to View Pricing, Inventory, Delivery & Lifecycle Information:

[TE Connectivity:](#)

[282087-1](#)