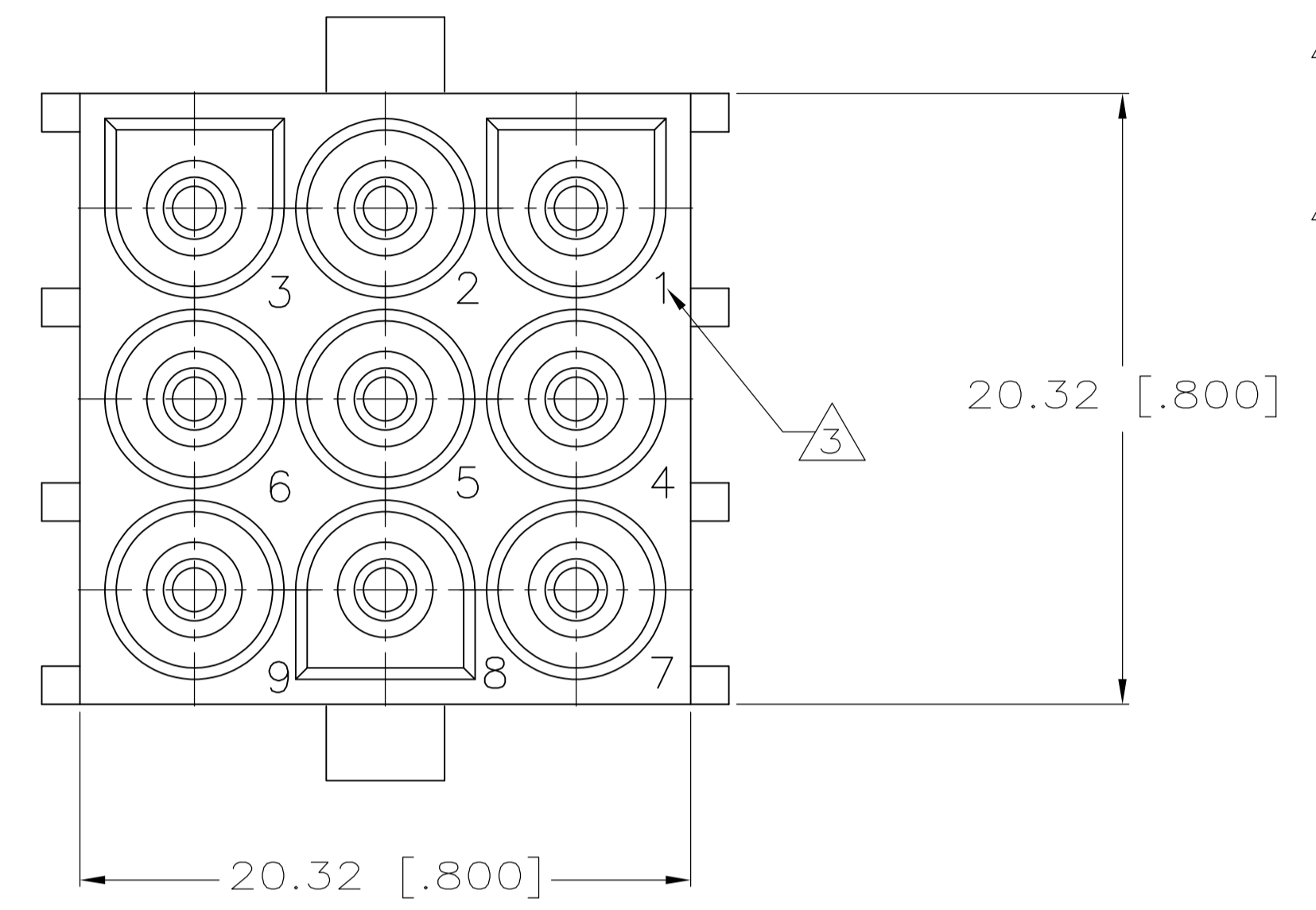
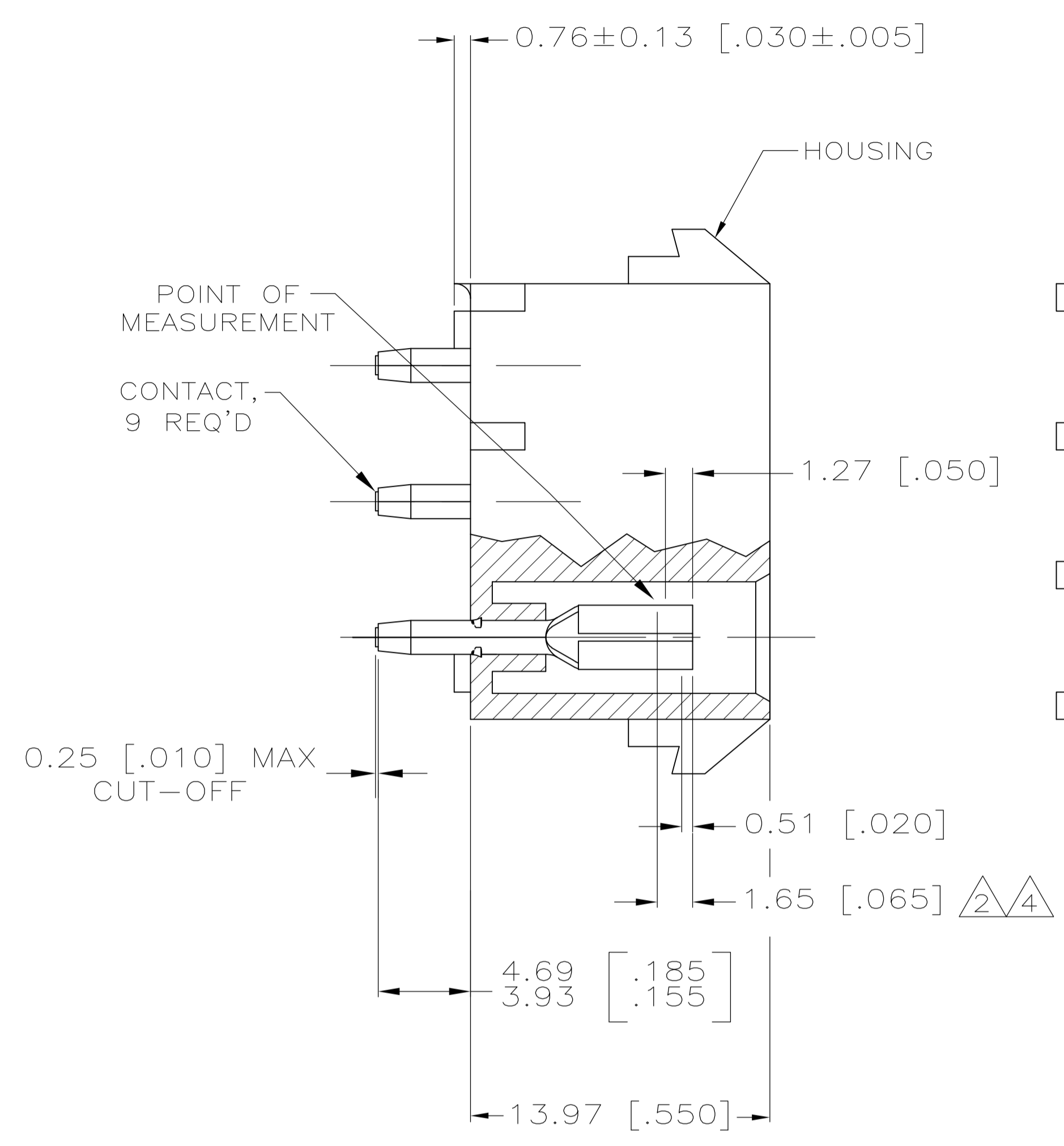
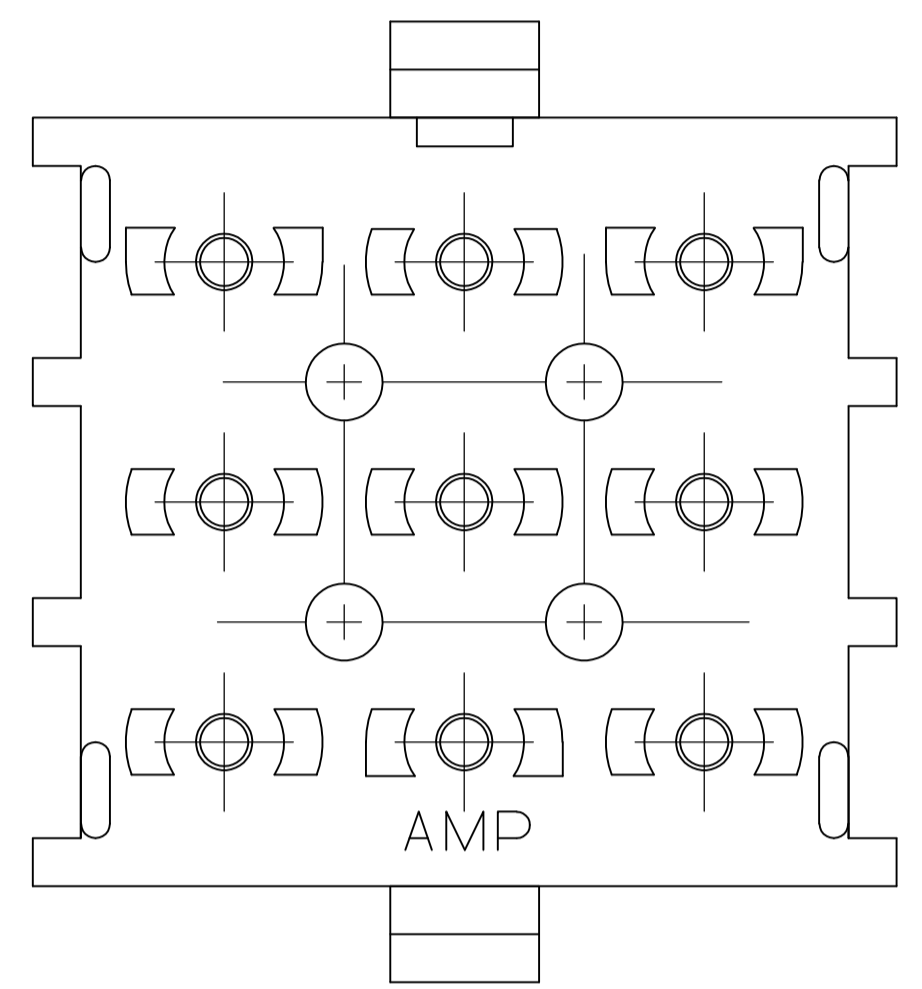
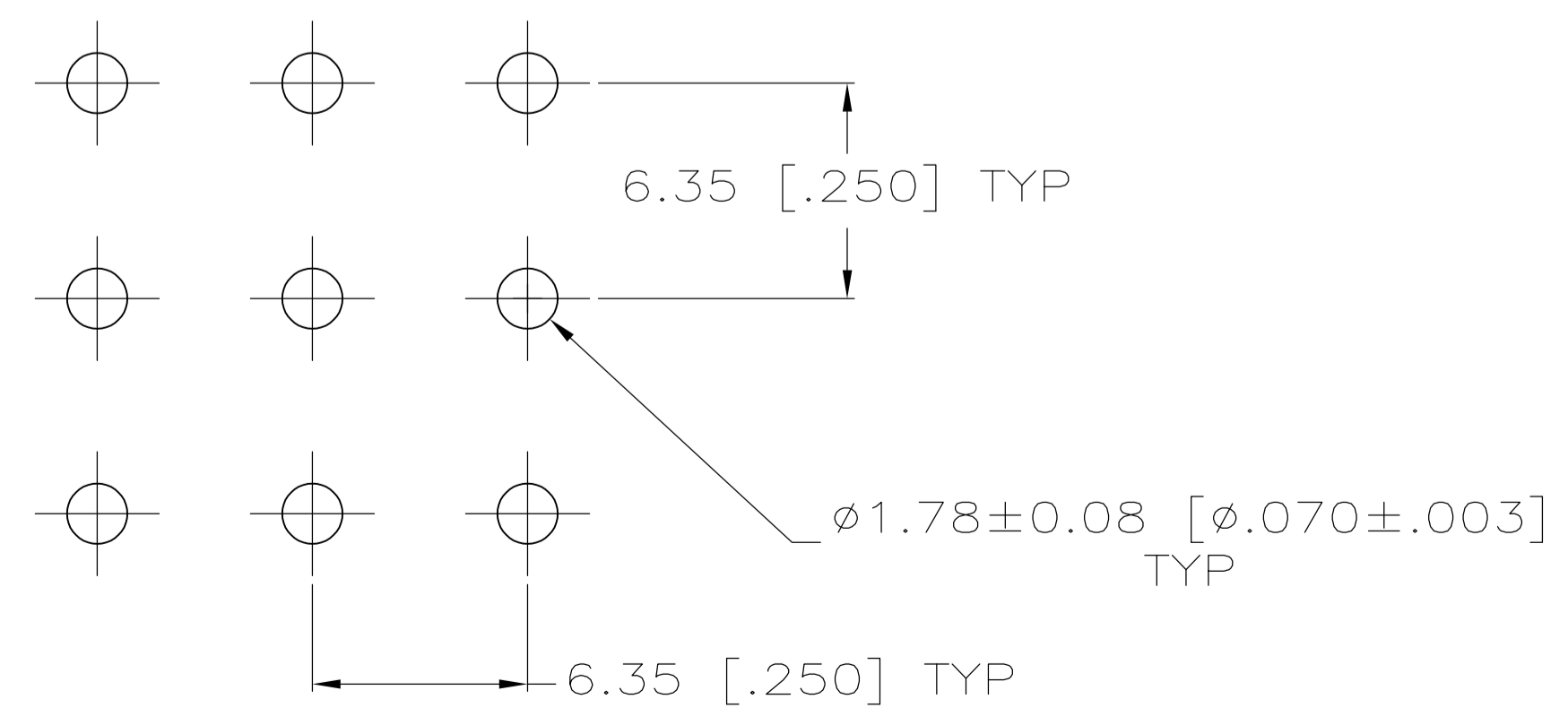


LOC		DIST		REVISIONS			
CM	00	REV	DATE	BY	CHK	APPV	
L1	REVISED PER ECR-12-011660	24JAN13		KH		TM	



- 1 PARTS COMPLY TO AMP SOLDERABILITY SPECIFICATION 109-11-3.
- $\Delta 2$ CONTACT IS STAMPED FROM PRE-PLATED STOCK WHICH IS PLATED OVERALL WITH 0.00127 [.000050] NICKEL, THEN STRIPED WITH 0.00076 [.000030] GOLD IN CONTACT AREA INDICATED AND TIN-LEAD ON SOLDER TAIL END.
- $\Delta 3$ CIRCUIT IDENTIFICATION CHARACTERS ARE ADJACENT TO THE INDICATED CAVITIES, BUT LOCATION AND ORIENTATION MAY DIFFER FROM PRINT.
- $\Delta 4$ CONTACT IS PLATED OVERALL WITH 0.00127 [.000050] NICKEL, THEN 0.00076 [.000030] GOLD OVER CONTACT LENGTH INDICATED AND MATTE TIN ON SOLDER TAIL END.
- $\Delta 5$ SUPERSEDED BY 350763-5



RECOMMENDED LAYOUT FOR 1.58 [.062] THICK PC BOARD

$\Delta 4$	PH BRZ GOLD	NYLON, NATURAL	350763-5
	PH BRZ TIN	NYLON, NATURAL	350763-4
$\Delta 5$	PH BRZ GOLD	NYLON, NATURAL	350763-3
	CONTACT	HOUSING	PART NO

DIMENSIONS:		TOLERANCES UNLESS OTHERWISE SPECIFIED:		APPROVED:		NAME:	
mm	[INCHES]	0. PLC	±	DIN K. WHITAKER	11OCT2005	STE TE Connectivity	
		1. PLC	±	CHK S. RIDGILL	11OCT2005	9 CIRCUIT UNIVERSAL MATE-N-LOK (TM)	
		2. PLC	±	APPROVED S. RIDGILL	11OCT2005	P.C. BOARD SOCKET HEADER ASSEMBLY	
		3. PLC	± 0.13 [.005]	APPLICATION SPEC		SIZE	CAGE CODE DRAWING NO
		4. PLC	±	WEIGHT		A1	00779 C=350763
		ANGLES	±	CUSTOMER DRAWING		SCALE	5:1
MATERIAL SEE TABLE		FINISH SEE TABLE		SHEET		1 OF 1	
				REV		L1	

Mouser Electronics

Authorized Distributor

Click to View Pricing, Inventory, Delivery & Lifecycle Information:

[TE Connectivity:](#)

[350763-5](#)