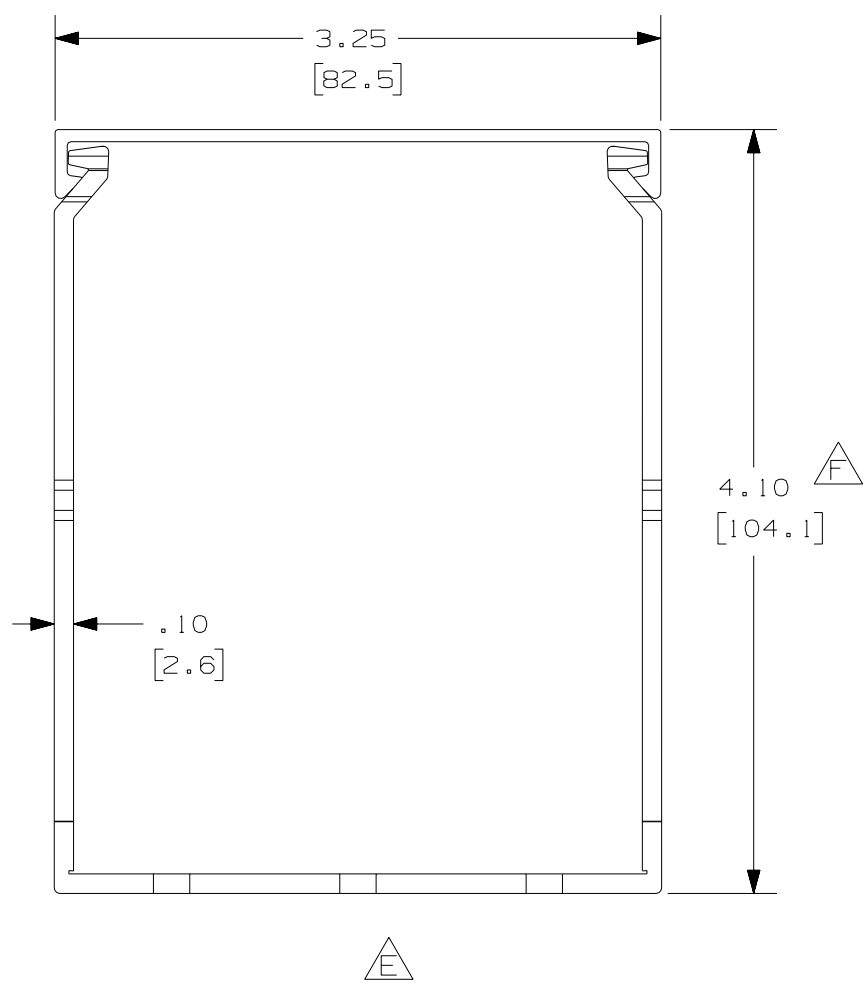
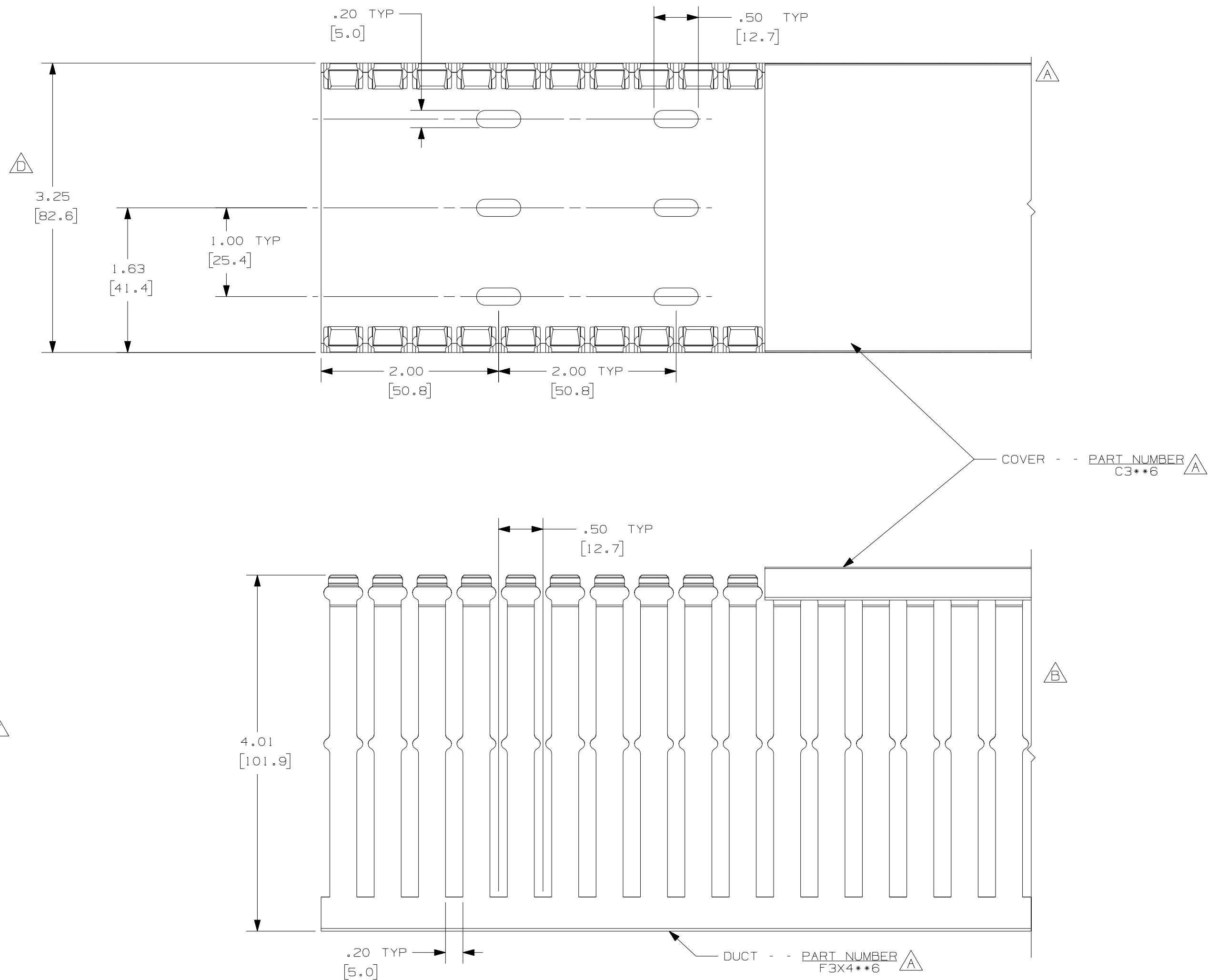


THIS COPY IS PROVIDED ON A RESTRICTED BASIS AND IS NOT TO BE USED IN ANY WAY DETRIMENTAL TO THE INTERESTS OF PANDUIT CORP.



- NOTES:
1. ALL DIMENSIONS ARE REFERENCE ONLY.
 2. DIMENSIONS IN PARENTHESIS ARE METRIC.
 3. THE ** DENOTE COLOR.
 4. DUCT AND COVER ARE AVAILABLE IN 6 FT [1828.8] LENGTH.

REV	DATE	BY	CHK	DESCRIPTION
2	7-23-07	JCSTMKBE		G. ADDED LENGTH NOTE F. CORRECTED DIMENSION E. DELETED DIMENSION D. ADDED DIMENSION
1	9-9-04	JCSTMKBE		C. CHANGED DRAWING SIZE B. CHANGED VIEW A. ADDED TOP VIEW, NOTES, AND LABELS
R	3-20-03	JCST	JGG	DRAWING RELEASED

CAD FILENAME/LAYERS: D11000CQ_DC/00C

PANDUIT CORP. TINLEY PARK, ILLINOIS

WIRING DUCT - TYPE F DUCT WITH COVER
3X4
MARKETING DRAWING

DRAWN BY: JCST	MAT'L: PVC	SCALE: FULL
DATE: 3-20-03	CHECKED BY: JGG	DWG NO.: 36897-779
		DWG SIZE: C



Mouser Electronics

Authorized Distributor

Click to View Pricing, Inventory, Delivery & Lifecycle Information:

[Panduit:](#)

[F3X4LG6](#) [F3X4LG6-A](#) [F3X4WH6](#) [F3X4WH6-A](#) [F3X4IB6](#)