

Front adapters - FLKM S135/S7/FLK50/PLC - 2314736

Please be informed that the data shown in this PDF Document is generated from our Online Catalog. Please find the complete data in the user's documentation. Our General Terms of Use for Downloads are valid (<http://phoenixcontact.com/download>)



Converter for SIMATIC® S5-135 on 50- pos. FLK strip over which an S7 control can be coupled. Conversion: 6ES5 420-4UA14 / 6ES5 430-4UA14 on 6ES7 321-1BL00-0AA0 or 6ES5 441-4UA14 / 6ES5 451-4UA14 on 6ES7 322-1BL00-0AA0



Key Commercial Data

Packing unit	1 pc
Weight per Piece (excluding packing)	253.6 g
Custom tariff number	85366990
Country of origin	Germany

Technical data

Ambient conditions

Ambient temperature (operation)	-20 °C ... 50 °C
Ambient temperature (storage/transport)	-20 °C ... 70 °C

General

Note	The components for setting up an adapter carrier as in the application example (data sheet in the download area), which can be used to secure the migration adapter, can be obtained from Heitec AG based in Eckental-Eschenau, Germany. The following order numbers are required for carrier setup: 3685.896 (2 pcs.) 3684.629 (1 pc.) 3684.562 (2 pcs.) 3687.015 (1 unit pack) 3684.610 (2 pcs.) 3684.572 (2 pcs.) 3684.881 (10 pcs.) 3685.837 (10 pcs.) 3685.832 (10 pcs.)
Nominal voltage U_N	60 V DC
Max. permissible current	1 A (per path)
Mounting position	any

Front adapters - FLKM S135/S7/FLK50/PLC - 2314736

Technical data

General

Nominal operating mode	100% operating factor
Degree of protection	IP00
Standards/regulations	IEC 60664
	DIN EN 50178
	IEC 62103
Rated insulation voltage	63 V
Rated surge voltage	0.6 kV (Functional insulation)
Degree of pollution	2
Overvoltage category	II

Connection data 1

Connection name	Field level
Connection method	IDC/FLK pin strip (2.54 mm)
Number of connections	1
Number of positions	50

Supported controller

Controller	SIEMENS S5-135 U
- suitable I/O card	6ES5 420-4UA14
	6ES5 430-4UA14
	6ES5 441-4UA14
	6ES5 451-4UA14

Standards and Regulations

Standards/regulations	IEC 60664
	DIN EN 50178
	IEC 62103
Degree of pollution	2
Overvoltage category	II

Classifications

eCl@ss

eCl@ss 4.0	27250313
eCl@ss 4.1	27250313
eCl@ss 5.0	27250313
eCl@ss 5.1	27250313
eCl@ss 6.0	27249205
eCl@ss 7.0	27249205

Front adapters - FLKM S135/S7/FLK50/PLC - 2314736

Classifications

eCl@ss

eCl@ss 8.0	27249205
------------	----------

ETIM

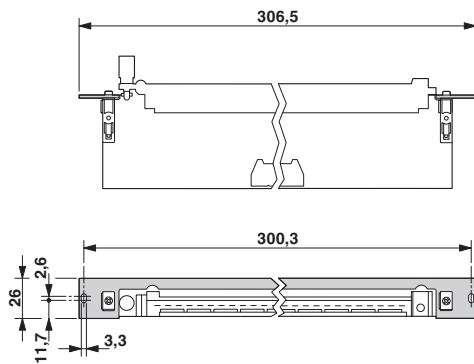
ETIM 2.0	EC000237
ETIM 3.0	EC000237
ETIM 4.0	EC000237
ETIM 5.0	EC002584

UNSPSC

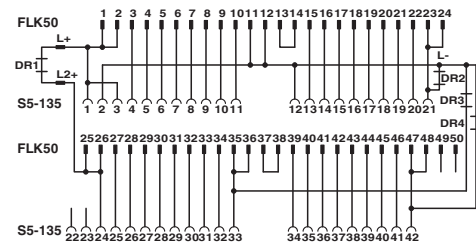
UNSPSC 6.01	30211824
UNSPSC 7.0901	39121421
UNSPSC 11	39121421
UNSPSC 12.01	39121421
UNSPSC 13.2	39121421

Drawings

Dimensional drawing



Circuit diagram



FLKM S135/S7/FLK50/PLC connection scheme

Mouser Electronics

Authorized Distributor

Click to View Pricing, Inventory, Delivery & Lifecycle Information:

[Phoenix Contact:](#)

[2314736](#)