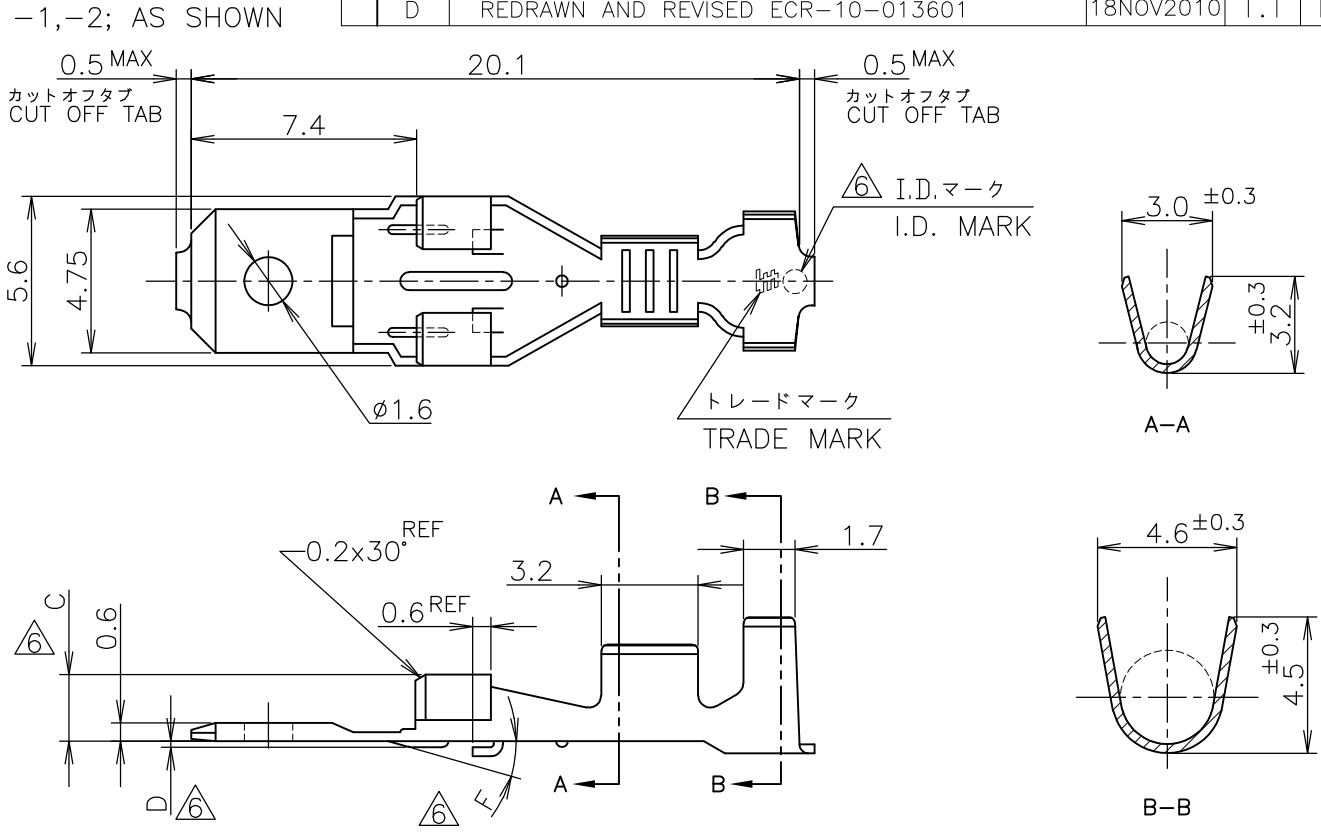


| | | | | | | | |
|----------|-----------|-----------------------------------|--|--|-----------|-----|------|
| LOC J | DIST / | REVISIONS 変更 | | | DATE | DWN | APVD |
| P | LTR | DESCRIPTION | | | | | |
| | D | REDRAWN AND REVISED ECR-10-013601 | | | 18NOV2010 | T.T | T.M |



- | | |
|---|--|
| 1 適用製品規格: 108-5338 | 1 PRODUCT SPEC: 108-5338 |
| 2 適用圧着規格: 114-5041 | 2 APPLICATION SPEC: 114-5041 |
| 3 適用ハウジング型番: 176448-* (175179-1に適用) 179182-* (175179-1,-2に適用) | 3 APPLICABLE HOUSING P/N: 176448-* (APPLY TO 175179-1) 179182-* (APPLY TO 175179-1,-2) |
| 4 嵌合相手側コネクタ型番: リセハウジング: 173974-* (176448-*と嵌合) 179183-* (179182-*と嵌合) リセコンタクト: 170324-* (AWG#24~#20) 170325-* (AWG#20~#16) 170326-* (AWG#18~#14) | 4 MATING REC. CONNECTOR P/N: REC HSG: 173974-* (MATE FOR 176448-*) 179183-* (MATE FOR 179182-*) REC CONT: 170324-* (AWG#24~#20) 170325-* (AWG#20~#16) 170326-* (AWG#18~#14) |
| 5 取扱説明書: 1S-545 | 5 INSTRUCTION SHEET NO: 1S-545 |
| \triangle 表参照のこと | \triangle SEE TABLE |

| | | | | | | |
|---------------------|---------------|---------------|---------------|----------------|--------------|-----------|
| 3 & 4 | 10° REF | 0.15 REF | 2.15 MAX | PRE-TIN BRASS | 錫めっき済黄銅 0.3t | 175179-2 |
| 1 & 2 | 15° REF | 0.2 REF | 2.2 | PRE-TIN BRASS | 錫めっき済黄銅 0.3t | 175179-1 |
| \triangle ID MARK | \triangle F | \triangle D | \triangle C | MATERIAL 材料 | FINISH 仕上 | P/N 型番 |

| | | | |
|-----------------------|--|------------------------|-------------------|
| WIRE RANGE 抱合電線断面積 | AWG #20-#16 0.51~1.38 mm ² | INSULATION DIA 被覆外径 | 1.9~3.4 mm ϕ |
|-----------------------|--|------------------------|-------------------|

| | | | |
|--|-------------------------------|---|----------------------------|
| DIMENSIONS: 単位: 耗 mm | DWN T.TSUZAKI 11NOV2010 | MATERIAL 材料 表参照 SEE TABLE | FINISH 仕上 表参照 SEE TABLE |
| | CHK T.MASUDA 18NOV2010 | Tyco Electronics Corporation Kawasaki, Japan | |
| TOLERANCES UNLESS OTHERWISE SPECIFIED: 一般公差 | APVD T.MASUDA 18NOV2010 | | |
| 0 PLC ± 10 ≥ ± 0.2 | PRODUCT SPEC 製品規格 | 電線 対 電線 接続用 W-W TYPE | |
| 1 PLC ± 30 ≥ > 10: ± 0.25 | APPLICATION SPEC 取付適用規格 | SIZE A4 | CAGE CODE 00779 |
| 2 PLC ± 100 ≥ > 30: ± 0.3 | WEIGHT | DRAWING NO 番号 C-175179 | RESTRICTED TO |
| 3 PLC ± | CUSTOMER DRAWING | SCALE 尺度 4:1 | SHEET 1 OF 1 |
| 4 PLC ± | | REV D | |
| ANGLES ± 3° | | | |

THIS DRAWING IS UNPUBLISHED.
 ALL INTERNATIONAL RIGHTS RESERVED.
 BY TYCO ELECTRONICS CORPORATION.
 COPYRIGHT

Mouser Electronics

Authorized Distributor

Click to View Pricing, Inventory, Delivery & Lifecycle Information:

[TE Connectivity:](#)

[175179-1](#)