

# 1.0 A 6.8 V H-Bridge Motor Driver IC

The 17511 is a monolithic H-Bridge designed to be used in portable electronic applications to control small DC motors or bipolar step motors. End applications include head positioners (CDROM or disk drive), camera focus motors, and camera shutter solenoids.

The 17511 can operate efficiently with supply voltages as low as 2.0 V to as high as 6.8 V. Its low  $R_{DS(ON)}$  H-Bridge output MOSFETs (0.46  $\Omega$  typical) can provide continuous motor drive currents of 1.0 A and handle peak currents up to 3.0 A. It is easily interfaced to low-cost MCUs via parallel 3.0 V or 5.0 V compatible logic. The device can be pulse width modulated (PWMed) at up to 200 kHz.

This device contains an integrated charge pump and level shifter (for gate drive voltages), integrated shoot-through current protection (cross-conduction suppression logic and timing), and undervoltage detection and shutdown circuitry.

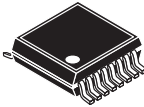
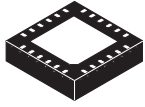
The 17511 has four operating modes: Forward, Reverse, Brake, and Tri-state (high-impedance).

### Features

- 2.0 to 6.8 V continuous operation
- Output current 1.0 A (DC), 3.0 A (peak)
- MOSFETs < 600 m $\Omega$   $R_{DS(ON)}$  @ 25 °C guaranteed
- 3.0 V/5.0 V TTL/CMOS compatible logic inputs
- PWM frequencies up to 200 kHz
- Undervoltage shutdown
- Low power consumption
- Integrated charge pump
- Shoot-through current protection
- External MOSFET control circuit

17511

H-BRIDGE MOTOR DRIVER IC

|   |  |
|---|--|
|  <p><b>EV SUFFIX)</b><br/><b>98ASA10614D</b><br/><b>16-Pin VMFP</b></p> |  <p><b>EP SUFFIX</b><br/><b>98ARL10577D</b><br/><b>24-PIN QFN</b></p> |
|---|--|

| ORDERING INFORMATION |                                     |         |
|----------------------|-------------------------------------|---------|
| Device               | Temperature Range (T <sub>A</sub> ) | Package |
| MPC17511EP/R2        | -20 to 65 °C                        | 24 QFN  |
| MPC17511EV/EL        |                                     | 16 VMFP |

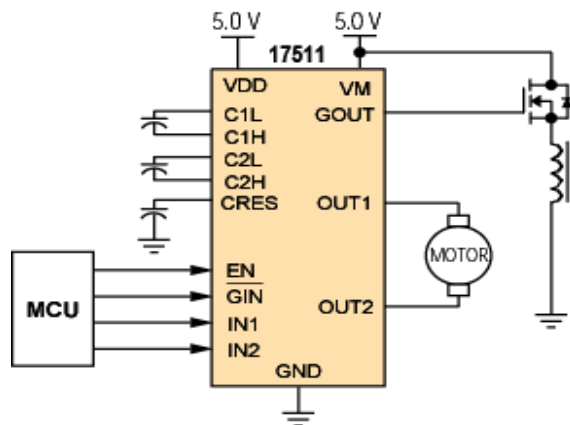


Figure 1. 17511 Simplified Application Diagram



## PIN CONNECTIONS

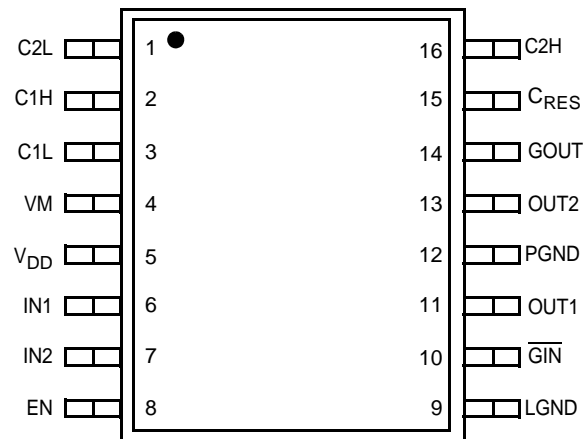


Figure 3. VMFP Pin Connections

Table 1. 17511 VMFP Pin Function Description

| Pin Number | Pin Name                | Formal Name                             | Definition   |
|------------|-------------------------|---|--|
| 1          | C2L                     | Charge Pump 2L                          | Charge pump bucket capacitor 2 (negative pole).      |
| 2          | C1H                     | Charge Pump 1H                          | Charge pump bucket capacitor 1 (positive pole).      |
| 3          | C1L                     | Charge Pump 1L                          | Charge pump bucket capacitor 1 (negative pole).      |
| 4          | VM                      | Motor Drive Power Supply                | Driver power supply voltage input pin.               |
| 5          | V <sub>DD</sub>         | Logic Supply                            | Control circuit power supply pin.                    |
| 6          | IN1                     | Input Control 1                         | Control signal input 1                               |
| 7          | IN2                     | Input Control 2                         | Control signal input 2.                              |
| 8          | EN                      | Enable Control                          | Enable control signal input pin.                     |
| 9          | LGND                    | Logic Ground                            | Logic ground pin.                                    |
| 10         | $\overline{\text{GIN}}$ | Gate Driver Input                       | LOW True control signal for GOUT pin.                |
| 11         | OUT1                    | H-Bridge Output 1                       | Driver output 1 (right half of H-Bridge).            |
| 12         | PGND                    | Power Ground                            | Driver ground pin.                                   |
| 13         | OUT2                    | H-Bridge Output 2                       | Driver output 2 (left half of H-Bridge).             |
| 14         | GOUT                    | Gate Driver Output                      | Output gate driver signal to external MOSFET switch. |
| 15         | C <sub>RES</sub>        | Charge Pump Output Capacitor Connection | Charge pump reservoir capacitor pin.                 |
| 16         | C2H                     | Charge Pump 2H                          | Charge pump bucket capacitor 2 (positive pole).      |

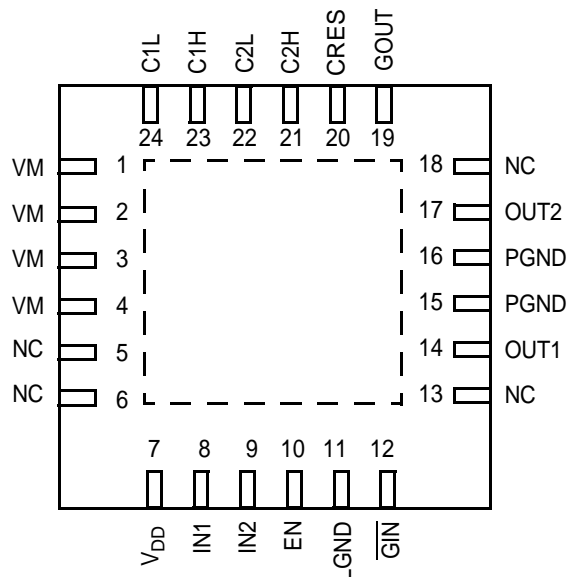


Figure 4. QFN Pin Connections

Table 2. 17511 QFN Pin Function Description

| Pin Number   | Pin Name                | Formal Name              | Definition   |
|--------------|-------------------------|--------------------------|--|
| 1, 2, 3, 4   | VM                      | Motor Drive Power Supply | Driver power supply voltage input pin.               |
| 5, 6, 13, 18 | NC                      | No Connect               | This pin is not used.                                |
| 7            | V <sub>DD</sub>         | Logic Supply             | Control circuit power supply pin.                    |
| 8            | IN1                     | Logic Input Control 1    | Control signal input 1.                              |
| 9            | IN2                     | Logic Input Control 2    | Control signal input 2.                              |
| 10           | EN                      | Enable Control           | Enable control signal input pin.                     |
| 11           | LGND                    | Logic Ground             | Logic ground pin.                                    |
| 12           | $\overline{\text{GIN}}$ | Gate Driver Input        | LOW = True control signal for GOUT pin.              |
| 14           | OUT1                    | Output 1                 | Driver output 1 (right half of H-Bridge).            |
| 15, 16       | PGND                    | Power Ground             | Driver ground pin.                                   |
| 17           | OUT2                    | Output 2                 | Driver output 2 (left half of H-Bridge).             |
| 19           | GOUT                    | Gate Driver Output       | Output gate driver signal to external MOSFET switch. |
| 20           | CRES                    | Pre-Driver Power Supply  | Pre-driver circuit power supply pin.                 |
| 21           | C2H                     | Charge Pump 2H           | Charge pump bucket capacitor 2 (positive pole).      |
| 22           | C2L                     | Charge Pump 2L           | Charge pump bucket capacitor 2 (negative pole).      |
| 23           | C1H                     | Charge Pump 1H           | Charge pump bucket capacitor 1 (positive pole).      |
| 24           | C1L                     | Charge Pump 1L           | Charge pump bucket capacitor 1 (negative pole).      |

## ELECTRICAL CHARACTERISTICS

### MAXIMUM RATINGS

**Table 3. Maximum Ratings**

All voltages are with respect to ground unless otherwise noted. Exceeding the ratings may cause a malfunction or permanent damage to the device.

| Rating  | Symbol          | Value                | Unit |
|---|-----------------|----------------------|------|
| Motor Supply Voltage  | $V_M$           | -0.5 to 8.0          | V    |
| Charge Pump Output Voltage  | $V_{CRESP}$     | -0.5 to 14.0         | V    |
| Logic Supply Voltage  | $V_{DD}$        | -0.5 to 7.0          | V    |
| Signal Input Voltage (EN, IN1, IN2, $\overline{GIN}$ )            | $V_{IN}$        | -0.5 to $V_{DD}+0.5$ | V    |
| Driver Output Current   |                 |                      | A    |
| Continuous  | $I_O$           | 1.0                  |      |
| Peak <sup>(1)</sup>   | $I_{OPK}$       | 3.0                  |      |
| ESD Voltage <sup>(2)</sup>  |                 |                      | V    |
| Human Body Model  | $V_{ESD1}$      | ±1800                |      |
| Machine Model   | $V_{ESD2}$      | ±100                 |      |
| Storage Temperature Range   | $T_{STG}$       | -55 to 150           | °C   |
| Operating Junction Temperature                                    | $T_J$           | -20 to 150           | °C   |
| Thermal Resistance <sup>(3)</sup>                                 | $R_{\theta JA}$ |                      | °C/W |
| 24 Pin QFN  |                 | 50                   |      |
| 16 Pin VMFP   |                 | 150                  |      |
| Power Dissipation <sup>(4)</sup>                                  | $P_D$           |                      | mW   |
| 24 Pin QFN  |                 | 2500                 |      |
| 16 Pin VMFP   |                 | 830                  |      |
| Soldering Temperature <sup>(5)</sup>                              | $T_{SOLDER}$    | 245                  | °C   |
| Peak Package Reflow Temperature During Reflow <sup>(6), (7)</sup> | $T_{PPRT}$      | Note 7               | °C   |

**Notes**

- $T_A = 25\text{ °C}$ , 10 ms pulse width at 200 ms intervals.
- ESD1 testing is performed in accordance with the Human Body Model ( $C_{ZAP} = 100\text{ pF}$ ,  $R_{ZAP} = 1500\text{ }\Omega$ ), ESD2 testing is performed in accordance with the Machine Model ( $C_{ZAP} = 200\text{ pF}$ ,  $R_{ZAP} = 0\text{ }\Omega$ ).
- QFN24: 45 x 30 x 1 [mm] glass EPOXY board mount. (See: recommended heat pattern) VMFP16: 37 x 50 x 1.6 [mm] glass EPOXY board mount. When the exposed pad is bonded, R<sub>sj</sub> is not performed.
- Maximum at  $T_A = 25\text{ °C}$ . When the exposed pad is bonded, R<sub>sj</sub> is not performed.
- Soldering temperature limit is for 10 seconds maximum duration. Not designed for immersion soldering. Exceeding these limits may cause malfunction or permanent damage to the device.
- Pin soldering temperature limit is for 10 seconds maximum duration. Not designed for immersion soldering. Exceeding these limits may cause malfunction or permanent damage to the device.
- Freescale's Package Reflow capability meets Pb-free requirements for JEDEC standard J-STD-020C. For Peak Package Reflow Temperature and Moisture Sensitivity Levels (MSL), Go to [www.freescale.com](http://www.freescale.com), search by part number [e.g. remove prefixes/suffixes and enter the core ID to view all orderable parts. (i.e. MC33xxx enter 33xxx), and review parametrics.

### STATIC ELECTRICAL CHARACTERISTICS

**Table 4. Static Electrical Characteristics**

Characteristics noted under conditions  $T_A = 25\text{ }^\circ\text{C}$ ,  $V_M = V_{DD} = 5.0\text{ V}$ ,  $GND = 0\text{ V}$ , unless otherwise noted. Typical values noted reflect the approximate parameter means at  $T_A = 25\text{ }^\circ\text{C}$  under nominal conditions, unless otherwise noted.

| Characteristic  | Symbol                          | Min                    | Typ                        | Max                    | Unit          |
|---|---------------------------------|------------------------|----------------------------|------------------------|---------------|
| <b>POWER</b>  |                                 |                        |                            |                        |               |
| Driver Circuit Power Supply Voltage   | $V_M$                           | 2.0                    | 5.0                        | 6.8                    | V             |
| Logic Supply Voltage  | $V_{DD}$                        | 2.7                    | 5.0                        | 5.7                    | V             |
| Capacitor for Charge Pump   | C1, C2, C3                      | 0.01                   | 0.1                        | 1.0                    | $\mu\text{F}$ |
| Standby Power Supply Current  |                                 |                        |                            |                        |               |
| Motor Supply Standby Current  | $I_{VMSTBY}$                    | –                      | –                          | 1.0                    | $\mu\text{A}$ |
| Logic Supply Standby Current <sup>(8)</sup>   | $I_{VDDSTBY}$                   | –                      | –                          | 1.0                    | mA            |
| Operating Power Supply Current  |                                 |                        |                            |                        |               |
| Logic Supply Current <sup>(9)</sup>   | $I_{VDD}$                       | –                      | –                          | 3.0                    | mA            |
| Charge Pump Circuit Supply Current  | $I_{CRES}$                      | –                      | –                          | 0.7                    | mA            |
| Low $V_{DD}$ Detection Voltage <sup>(10)</sup>  | $V_{DDDET}$                     | 1.5                    | 2.0                        | 2.5                    | V             |
| Driver Output ON Resistance <sup>(11)</sup>   | $R_{DS(ON)}$                    | –                      | 0.46                       | 0.60                   | $\Omega$      |
| <b>GATE DRIVE</b>   |                                 |                        |                            |                        |               |
| Gate Drive Voltage <sup>(12)</sup><br>No Current Load                                       | $V_{CRES}$                      | 12                     | 13                         | 13.5                   | V             |
| Gate Drive Ability (Internally Supplied)<br>$I_{CRES} = -1.0\text{ mA}$                     | $V_{CRESLOAD}$                  | 10                     | 11.2                       | –                      | V             |
| Gate Drive Output<br>$I_{OUT} = -50\text{ }\mu\text{A}$<br>$I_{IN} = 50\text{ }\mu\text{A}$ | $V_{GOUTHIGH}$<br>$V_{GOUTLOW}$ | $V_{CRES-0.5}$<br>LGND | $V_{CRES-0.1}$<br>LGND+0.1 | $V_{CRES}$<br>LGND+0.5 | V             |
| <b>CONTROL LOGIC</b>  |                                 |                        |                            |                        |               |
| Logic Input Voltage   | $V_{IN}$                        | 0                      | –                          | $V_{DD}$               | V             |
| Logic Input Function ( $2.7\text{ V} < V_{DD} < 5.7\text{ V}$ )                             |                                 |                        |                            |                        |               |
| High-level Input Voltage  | $V_{IH}$                        | $V_{DD} \times 0.7$    | –                          | –                      | V             |
| Low-level Input Voltage   | $V_{IL}$                        | –                      | –                          | $V_{DD} \times 0.3$    | V             |
| High-level Input Current  | $I_{IH}$                        | –                      | –                          | 1.0                    | $\mu\text{A}$ |
| Low-level Input Current   | $I_{IL}$                        | -1.0                   | –                          | –                      | $\mu\text{A}$ |
| Pull-Up Resistance ( $\overline{EN}$ , $\overline{GIN}$ )                                   | $R_{PU}$                        | 50                     | 100                        | 200                    | k $\Omega$    |

Notes

8.  $I_{VDDSTBY}$  includes current to the predriver circuit.
9.  $I_{VDD}$  includes current to the predriver circuit.
10. Detection voltage is defined as when the output becomes high-impedance after  $V_{DD}$  drops below the detection threshold. When the gate voltage  $V_{CRES}$  is applied from an external source,  $V_{CRES} = 7.5\text{ V}$ .
11.  $I_O = 1.0\text{ A}$  source + sink.
12. Input logic signal not present.

### DYNAMIC ELECTRICAL CHARACTERISTICS

**Table 5. Dynamic Electrical Characteristics**

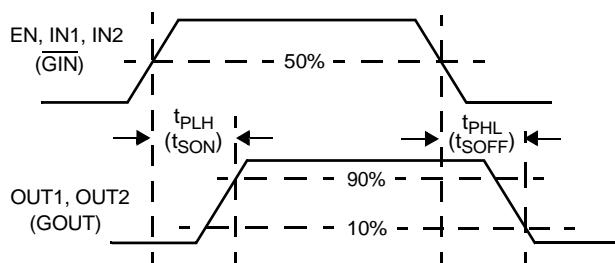
Characteristics noted under conditions  $T_A = 25\text{ }^\circ\text{C}$ ,  $V_M = V_{DD} = 5.0\text{ V}$ ,  $GND = 0\text{ V}$ , unless otherwise noted. Typical values noted reflect the approximate parameter means at  $T_A = 25\text{ }^\circ\text{C}$  under nominal conditions, unless otherwise noted.

| Characteristic                        | Symbol           | Min | Typ  | Max                 | Unit          |
|---------------------------------------|------------------|-----|------|---------------------|---------------|
| <b>INPUT (EN, IN1, IN2, GIN)</b>      |                  |     |      |                     |               |
| Pulse Input Frequency                 | $f_{IN}$         | –   | –    | 200                 | kHz           |
| Input Pulse Rise Time <sup>(13)</sup> | $t_R$            | –   | –    | 1.0 <sup>(14)</sup> | $\mu\text{s}$ |
| Input Pulse Fall Time <sup>(15)</sup> | $t_F$            | –   | –    | 1.0 <sup>(14)</sup> | $\mu\text{s}$ |
| <b>OUTPUT</b>                         |                  |     |      |                     |               |
| Propagation Delay Time                |                  |     |      |                     | $\mu\text{s}$ |
| Turn-ON Time                          | $t_{PLH}$        | –   | 0.55 | 1.0                 |               |
| Turn-OFF Time                         | $t_{PHL}$        | –   | 0.55 | 1.0                 |               |
| GOUT Propagation Delay Time           |                  |     |      |                     | $\mu\text{s}$ |
| Turn-ON Time                          | $t_{SON}$        | –   | 0.15 | 0.5                 |               |
| Turn-OFF Time                         | $t_{SOFF}$       | –   | 0.15 | 0.5                 |               |
| Charge Pump Circuit <sup>(16)</sup>   | $t_{V_{CRESON}}$ |     |      |                     | ms            |
| Rise Time <sup>(17)</sup>             |                  | –   | 0.1  | 3.0                 |               |
| Low-Voltage Detection Time            | $t_{VDDDET}$     | –   | –    | 10                  | ms            |

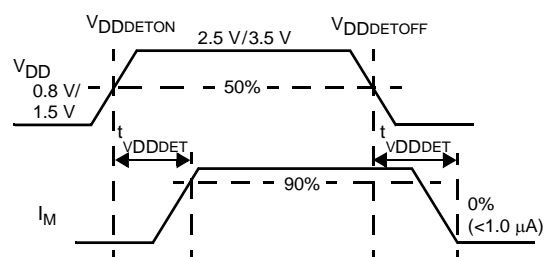
**Notes**

13. Time is defined between 10% and 90%.
14. That is, the input waveform slope must be steeper than this.
15. Time is defined between 90% and 10%.
16. When  $C1 = C2 = C3 = 0.1\text{ }\mu\text{F}$ .
17. Time to charge  $C_{RES}$  to 11 V after application of  $V_{DD}$ .

### TIMING DIAGRAMS



**Figure 5.  $t_{PLH}$ ,  $t_{PHL}$ , and  $t_{PZH}$  Timing**



**Figure 6. Low-Voltage Detection**

**Table 6. Truth Table**

| INPUT |     |     |                         | OUTPUT |      |      |
|-------|-----|-----|-------------------------|--------|------|------|
| EN    | IN1 | IN2 | $\overline{\text{GIN}}$ | OUT1   | OUT2 | GOUT |
| H     | H   | H   | X                       | L      | L    | X    |
| H     | H   | L   | X                       | H      | L    | X    |
| H     | L   | H   | X                       | L      | H    | X    |
| H     | L   | L   | X                       | Z      | Z    | X    |
| L     | X   | X   | X                       | L      | L    | L    |
| H     | X   | X   | H                       | X      | X    | L    |
| H     | X   | X   | L                       | X      | X    | H    |

H = High.  
 L = Low.  
 Z = High-impedance.  
 X = Don't care.



## FUNCTIONAL DESCRIPTION

### INTRODUCTION

The 17511 is a monolithic H-Bridge power IC applicable to small DC motors used in portable electronics. The 17511 can operate efficiently with supply voltages as low as 2.0 V to as high as 6.8 V, and it can provide continuous motor drive currents of 1.0 A while handling peak currents up to 3.0 A. It is easily interfaced to low-cost MCUs via parallel 3.0 V or 5.0 V compatible logic. The device can be pulse width modulated (PWM-ed) at up to 200 kHz. The 17511 has four operating modes: Forward, Reverse, Brake, and Tri-State (high-impedance).

Basic protection and operational features (direction, dynamic braking, PWM control of speed and torque, main power supply undervoltage detection and shutdown, logic power supply undervoltage detection and shutdown), in addition to the 1.0 A rms output current capability, make the 17511 a very attractive, cost-effective solution for controlling a broad range of small DC motors. In addition, a pair of 17511 devices can be used to control bipolar step motors. The 17511 can also be used to excite transformer primary

windings with a switched square wave to produce secondary winding AC currents.

As shown in [Figure 2](#), the 17511 is a monolithic H-Bridge with built-in charge pump circuitry. For a DC motor to run, the input conditions need to be set as follows: enable input logic HIGH, one Input logic LOW, and the other input logic HIGH (to define output polarity). The 17511 can execute dynamic braking by setting both IN1 and IN2 logic HIGH, causing both low side MOSFETs in the output H-Bridge to turn ON. Dynamic braking can also be implemented by taking the enable logic LOW. The output of the H-Bridge can be set to an open-circuit high-impedance (Z) condition by taking both IN1 and IN2 logic LOW. (refer to [Table 6](#)).

The 17511 outputs are capable of providing a continuous DC load current of up to 1.2 A. An internal charge pump supports PWM frequencies to 200 kHz. The EN pin also controls the charge pump, turning it off when EN = LOW, thus placing the 17511 in a power-conserving sleep mode.

### FUNCTIONAL PIN DESCRIPTION

#### OUT1 AND OUT2

The OUT1 and OUT2 pins provide the connection to the internal power MOSFET H-Bridge of the IC. A typical load connected between these pins would be a small DC motor. These outputs connect to either VM or PGND, depending on the states of the control inputs (refer to [Table 6](#)).

#### PGND AND LGND

The power and logic ground pins (PGND and LGND) should be connected together with a very low-impedance connection.

#### CRES

The CRES pin provides the connection for the external reservoir capacitor (output of the charge pump). Alternatively this pin can also be used as an input to supply gate-drive voltage from an external source via a series current-limiting resistor. The voltage at the CRES pin is approximately three times the  $V_{DD}$  voltage, as the internal charge pump utilizes a voltage tripler circuit. The  $V_{CRES}$  voltage is used by the IC to supply gate drive for the internal power MOSFET H-Bridge.

#### VM

The VM pins carry the main supply voltage and current into the power sections of the IC. This supply then becomes controlled and/or modulated by the IC as it delivers the power to the load attached between OUT1 and OUT2. All VM pins must be connected together on the printed circuit board with as short as possible traces offering as low-impedance as possible between pins.

VM has an undervoltage threshold. If the supply voltage drops below the undervoltage threshold, the output power stage switches to a tri-state condition. When the supply voltage returns to a level above the threshold, the power stage automatically resumes normal operation according to the established condition of the input pins.

#### IN1, IN2, AND EN

The IN1, IN2, and EN pins are input control pins used to control the outputs. These pins are 5.0 V CMOS-compatible inputs with hysteresis. The IN1, IN2, and EN work together to control OUT1 and OUT2 (refer to [Table 6](#)).

#### $\overline{\text{GIN}}$

The  $\overline{\text{GIN}}$  input controls the GOUT pin. When  $\overline{\text{GIN}}$  is set logic LOW, GOUT supplies a level-shifted high side gate drive signal to an external MOSFET. When  $\overline{\text{GIN}}$  is set logic HIGH, GOUT is set to GND potential.

#### C1L AND C1H, C2L AND C2H

These two pairs of pins, the C1L and C1H and the C2L and C2H, connect to the external bucket capacitors required by the internal charge pump. The typical value for the bucket capacitors is 0.1  $\mu\text{F}$ .

#### GOUT

The GOUT output pin provides a level-shifted, high side gate drive signal to an external MOSFET with  $C_{ISS}$  up to 500 pF.

### $V_{DD}$

The VDD pin carries the 5.0 V supply voltage and current into the logic sections of the IC. VDD has an undervoltage threshold. If the supply voltage drops below the undervoltage threshold, the output power stage switches to a tri-state

condition. When the supply voltage returns to a level that is above the threshold, the power stage automatically resumes normal operation according to the established condition of the input pins.

## TYPICAL APPLICATIONS

Figure 7 shows a typical application for the 17511. When applying the gate voltage to the CRES pin from an external

source, be sure to connect it via a resistor equal to, or greater than,  $R_G = V_{CRES}/0.02 \Omega$ .

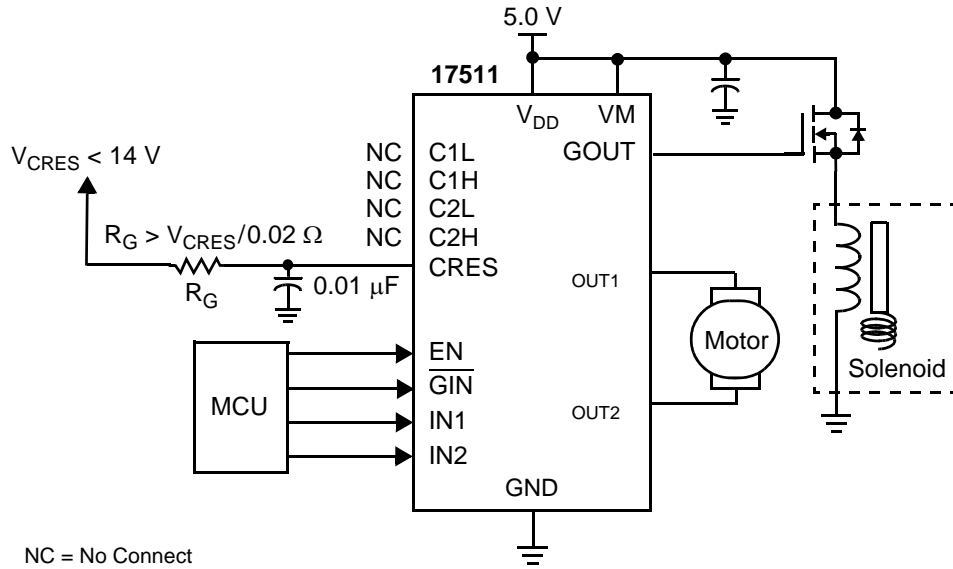


Figure 7. 17511 Typical Application Diagram

### CEMF SNUBBING TECHNIQUES

Care must be taken to protect the IC from potentially damaging CEMF spikes induced when commutating currents in inductive loads. Typical practice is to provide snubbing of voltage transients via placing a capacitor or zener at the supply pin (VM) (see Figure 8).

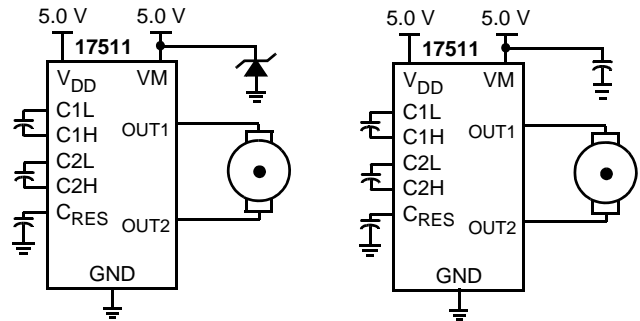
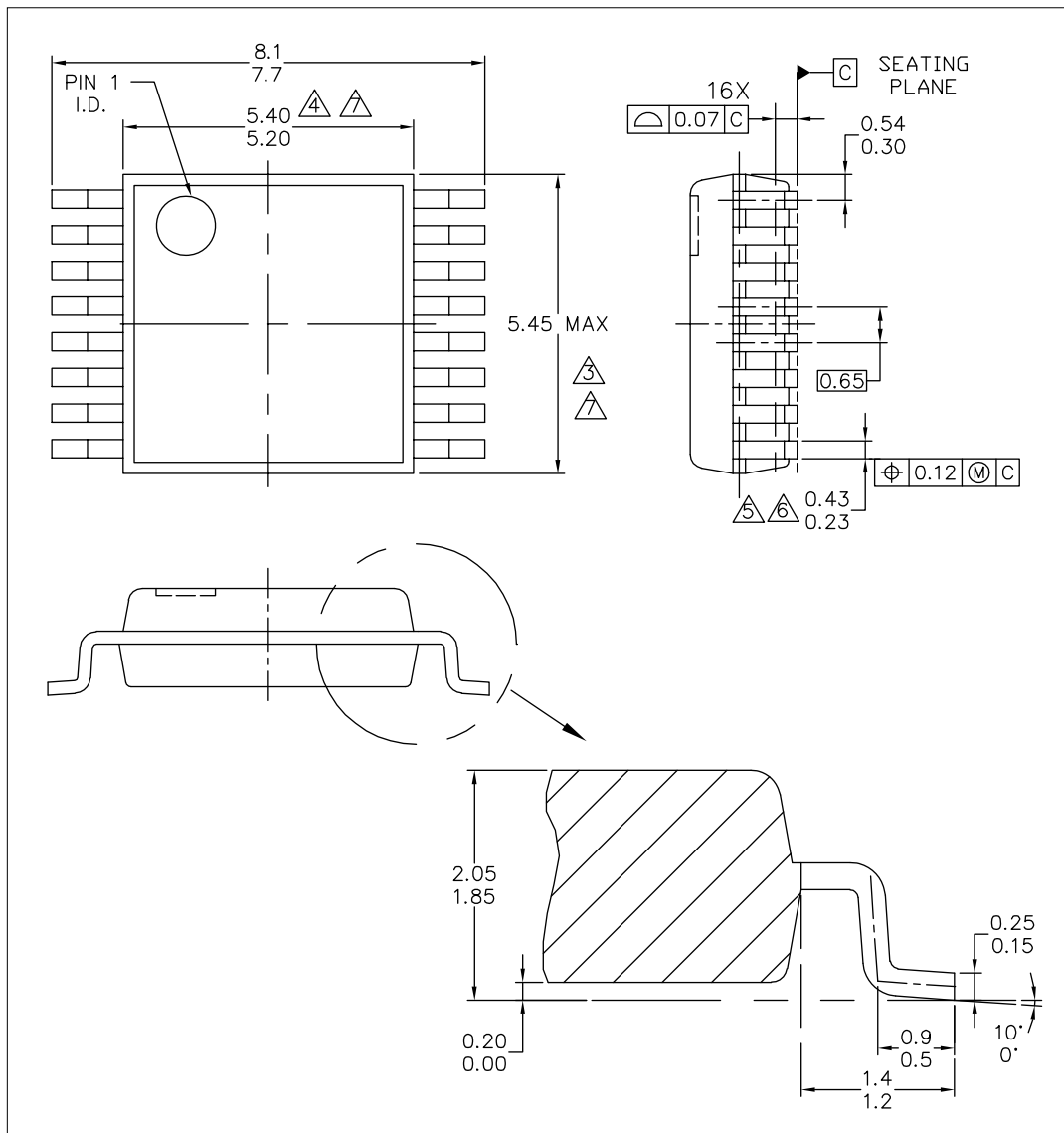


Figure 8. CEMF Snubbing Techniques

## PACKAGING

### PACKAGE DIMENSIONS

For the most current package revision, visit [www.freescale.com](http://www.freescale.com) and perform a keyword search using the "98A" listed below.



|   |                           |                            |
|---|---------------------------|----------------------------|
| © FREESCALE SEMICONDUCTOR, INC.<br>ALL RIGHTS RESERVED.         | <b>MECHANICAL OUTLINE</b> | PRINT VERSION NOT TO SCALE |
| TITLE: 16LD VMFP, 5.30 X 5.45 PKG<br>0.65 PITCH<br>CASE OUTLINE | DOCUMENT NO: 98ASA10614D  | REV: B                     |
|   | CASE NUMBER: 1563-02      | 07 NOV 2007                |
|   | STANDARD: NON-JEDEC       |                            |

**EV (PB-FREE) SUFFIX**  
16-PIN VMFP  
98ASA10614D  
ISSUE B

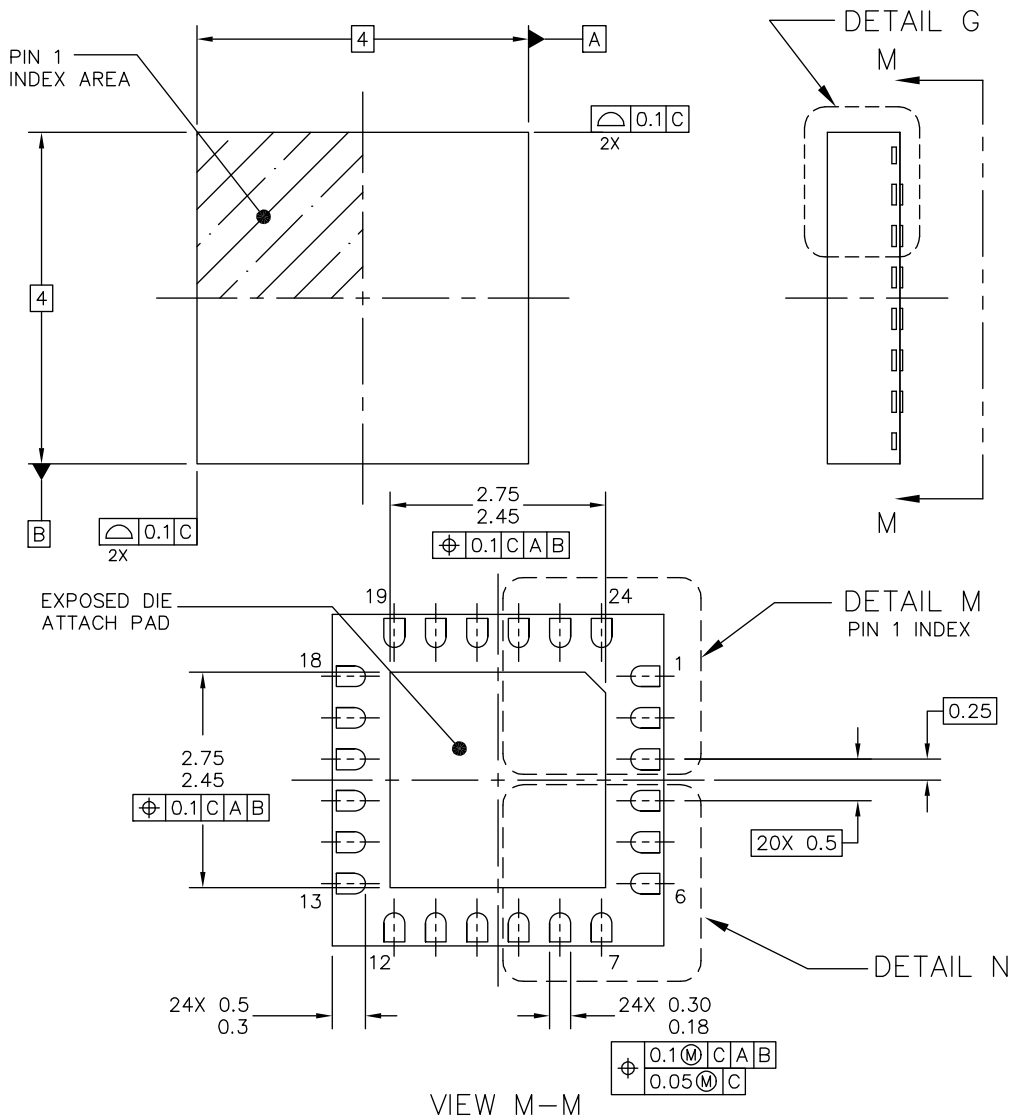
NOTES:

1. DIMENSIONS ARE IN MILLIMETERS.
2. DIMENSIONING AND TOLERANCING PER ASME Y14.5M-1994.
3. THIS DIMENSION DOES NOT INCLUDE MOLD FLASH, PROTRUSION OR GATE BURRS. MOLD FLASH, PROTRUSION OR GATE BURRS SHALL NOT EXCEED 0.15 MM PER SIDE. THIS DIMENSION IS DETERMINED AT THE PLANE WHERE THE BOTTOM OF THE LEADS EXIT THE PLASTIC BODY.
4. THIS DIMENSION DOES NOT INCLUDE INTER-LEAD FLASH OR PROTRUSIONS. INTER-LEAD FLASH AND PROTRUSIONS SHALL NOT EXCEED 0.25 MM PER SIDE. THIS DIMENSION IS DETERMINED AT THE PLANE WHERE THE BOTTOM OF THE LEADS EXIT THE PLASTIC BODY.
5. THIS DIMENSION DOES NOT INCLUDE DAMBAR PROTRUSION. ALLOWABLE DAMBAR PROTRUSION SHALL NOT CAUSE THE LEAD WIDTH TO EXCEED 0.4 mm. DAMBAR CANNOT BE LOCATED ON THE LOWER RADIUS OR THE FOOT.
6. THESE DIMENSIONS APPLY TO THE FLAT SECTION OF THE LEAD BETWEEN 0.10 mm AND 0.25 mm FROM THE LEAD TIP.
7. THE PACKAGE TOP MAY BE SMALLER THAN THE PACKAGE BOTTOM. THIS DIMENSION IS DETERMINED AT THE OUTERMOST EXTREMES OF THE PLASTIC BODY EXCLUSIVE OF MOLD FLASH, TIE BAR BURRS, GATE BURRS AND INTER-LEAD FLASH, BUT INCLUDING ANY MISMATCH BETWEEN THE TOP AND BOTTOM OF THE PLASTIC BODY.

|   |                           |                            |  |
|---|---------------------------|----------------------------|--|
| © FREESCALE SEMICONDUCTOR, INC.<br>ALL RIGHTS RESERVED.         | <b>MECHANICAL OUTLINE</b> | PRINT VERSION NOT TO SCALE |  |
| TITLE: 16LD VMFP, 5.30 X 5.45 PKG<br>0.65 PITCH<br>CASE OUTLINE | DOCUMENT NO: 98ASA10614D  | REV: B                     |  |
|   | CASE NUMBER: 1563-02      | 07 NOV 2007                |  |
|   | STANDARD: NON-JEDEC       |                            |  |

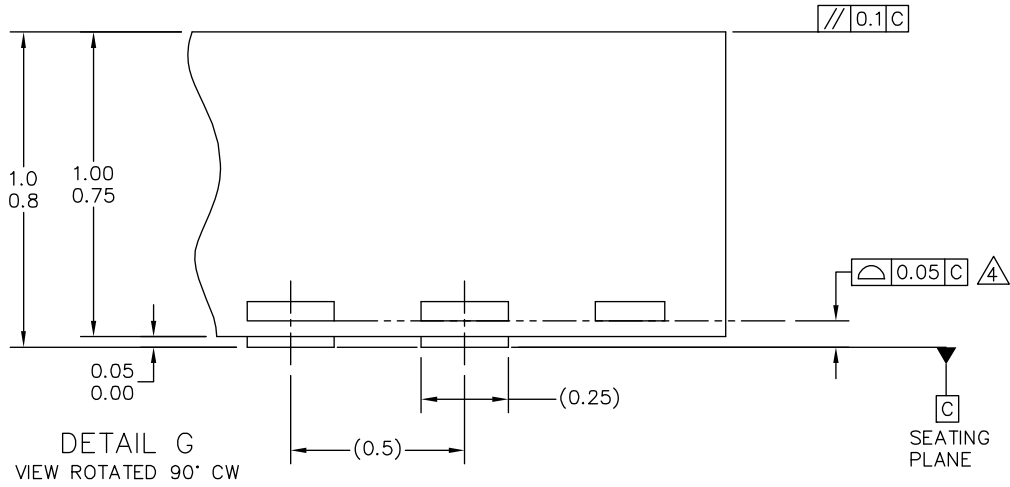
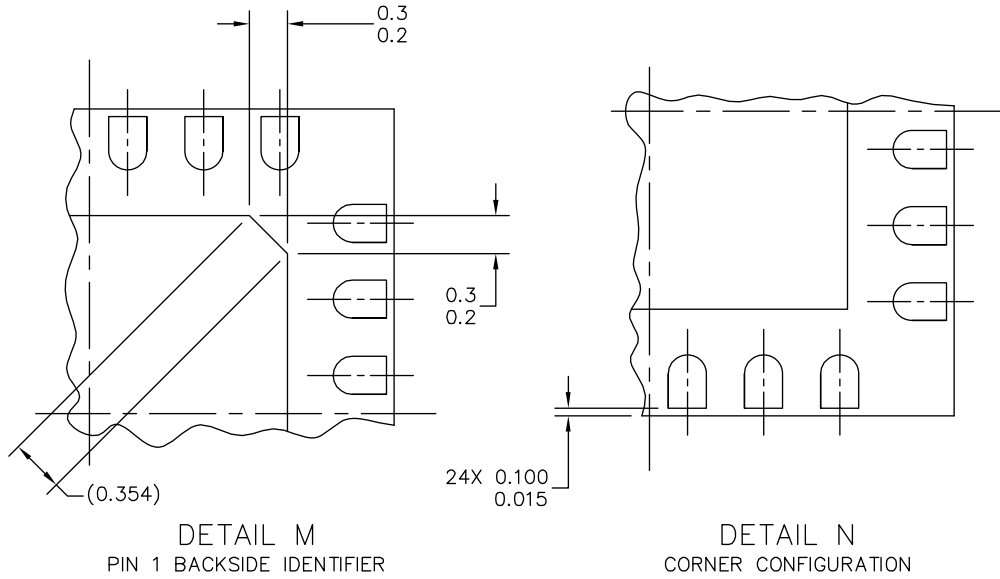
**EV (PB-FREE) SUFFIX**  
16-PIN VMFP  
98ASA10614D  
ISSUE B

PACKAGE DIMENSIONS (CONTINUED)



|   |                           |                            |
|---|---------------------------|----------------------------|
| © FREESCALE SEMICONDUCTOR, INC.<br>ALL RIGHTS RESERVED.   | <b>MECHANICAL OUTLINE</b> | PRINT VERSION NOT TO SCALE |
| TITLE: THERMALLY ENHANCED QUAD<br>FLAT NON-LEADED PACKAGE (QFN)<br>24 TERMINAL, 0.5 PITCH (4 X 4 X 1) | DOCUMENT NO: 98ARL10577D  | REV: B                     |
|   | CASE NUMBER: 1508-02      | 28 DEC 2005                |
|   | STANDARD: NON-JEDEC       |                            |


**EP (PB-FREE) SUFFIX**  
24-PIN QFN  
98ARL10577D  
ISSUE B



|   |                           |                            |  |
|---|---------------------------|----------------------------|--|
| © FREESCALE SEMICONDUCTOR, INC.<br>ALL RIGHTS RESERVED.   | <b>MECHANICAL OUTLINE</b> | PRINT VERSION NOT TO SCALE |  |
| TITLE: THERMALLY ENHANCED QUAD<br>FLAT NON-LEADED PACKAGE (QFN)<br>24 TERMINAL, 0.5 PITCH (4 X 4 X 1) | DOCUMENT NO: 98ARL10577D  | REV: B                     |  |
|   | CASE NUMBER: 1508-02      | 28 DEC 2005                |  |
|   | STANDARD: NON-JEDEC       |                            |  |

**EP (PB-FREE) SUFFIX**  
24-PIN QFN  
98ARL10577D  
ISSUE B

NOTES:

1. ALL DIMENSIONS ARE IN MILLIMETERS.
2. DIMENSIONING AND TOLERANCING PER ASME Y14.5M-1994.
3. THE COMPLETE JEDEC DESIGNATOR FOR THIS PACKAGE IS: HF-PQFN.
4.  COPLANARITY APPLIES TO LEADS AND DIE ATTACH PAD.
5. MIN. METAL GAP SHOULD BE 0.2MM.

|   |                           |                            |  |
|---|---------------------------|----------------------------|--|
| © FREESCALE SEMICONDUCTOR, INC.<br>ALL RIGHTS RESERVED.   | <b>MECHANICAL OUTLINE</b> | PRINT VERSION NOT TO SCALE |  |
| TITLE: THERMALLY ENHANCED QUAD<br>FLAT NON-LEADED PACKAGE (QFN)<br>24 TERMINAL, 0.5 PITCH (4 X 4 X 1) | DOCUMENT NO: 98ARL10577D  | REV: B                     |  |
|   | CASE NUMBER: 1508-02      | 28 DEC 2005                |  |
|   | STANDARD: NON-JEDEC       |                            |  |

**EP (PB-FREE) SUFFIX**  
24-PIN QFN  
98ARL10577D  
ISSUE B



## REVISION HISTORY

| REVISION | DATE    | DESCRIPTION OF CHANGES  |
|----------|---------|---|
| 1.0      | 7/2006  | <ul style="list-style-type: none"><li>• Implemented Revision History page</li><li>• Converted to Freescale format</li></ul>   |
| 2.0      | 5/2010  | <ul style="list-style-type: none"><li>• Updated Figures 1 and 2 to reflect correct pin names</li></ul>  |
| 3.0      | 10/2013 | <ul style="list-style-type: none"><li>• Corrected Ordering information to MPC17511EP and MPC17511EV/EL</li><li>• Corrected packaging drawings to 98ASA10614D and 98ARL10577D</li><li>• Corrected Figure 1 and some text for <u>GIN</u></li><li>• Corrected page footers to 17511</li><li>• Corrected Table 6 - now on 1 page.</li></ul> |



**How to Reach Us:**

**Home Page:**  
freescale.com

**Web Support:**  
freescale.com/support

Information in this document is provided solely to enable system and software implementers to use Freescale products. There are no express or implied copyright licenses granted hereunder to design or fabricate any integrated circuits based on the information in this document.

Freescale reserves the right to make changes without further notice to any products herein. Freescale makes no warranty, representation, or guarantee regarding the suitability of its products for any particular purpose, nor does Freescale assume any liability arising out of the application or use of any product or circuit, and specifically disclaims any and all liability, including without limitation consequential or incidental damages. "Typical" parameters that may be provided in Freescale data sheets and/or specifications can and do vary in different applications, and actual performance may vary over time. All operating parameters, including "typicals," must be validated for each customer application by customer's technical experts. Freescale does not convey any license under its patent rights nor the rights of others. Freescale sells products pursuant to standard terms and conditions of sale, which can be found at the following address: [freescale.com/SalesTermsandConditions](http://freescale.com/SalesTermsandConditions).

Freescale and the Freescale logo are trademarks of Freescale Semiconductor, Inc., Reg. U.S. Pat. & Tm. Off.SMARTMOS is a trademark of Freescale Semiconductor, Inc. All other product or service names are the property of their respective owners.

© 2013 Freescale Semiconductor, Inc.

Document Number: MPC17511  
Rev. 3.0  
10/2013

# Mouser Electronics

Authorized Distributor

Click to View Pricing, Inventory, Delivery & Lifecycle Information:

[NXP:](#)

[MPC17511EP](#) [MPC17511EPR2](#) [MPC17511EV](#) [MPC17511EVEL](#) [FRDM-17511EP-EVB](#) [FRDM-17511EV-EVB](#)