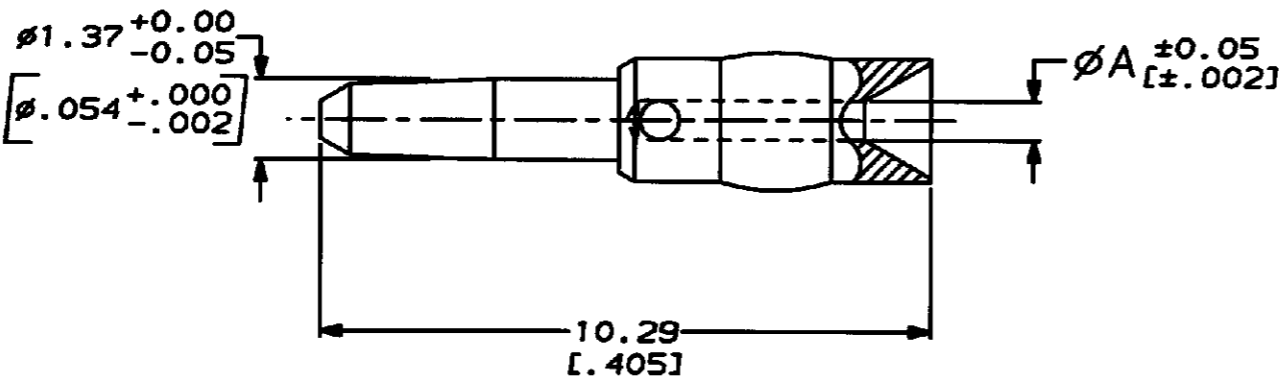


DRAWING MADE IN THIRD ANGLE PROJECTION

THIS DRAWING IS UNPUBLISHED. RELEASED FOR PUBLICATION .19 .
 © COPYRIGHT 19 BY AMP INCORPORATED. ALL INTERNATIONAL RIGHTS RESERVED.

LOC	DIST	P	F	ZONE	LTR	DESCRIPTION	DATE	APPO
AJ	16	✓	✓		D	REDWN & ADD 1--6 & 1--7 PER AJ-4560	2-15-91	BAS
		✓	✓		E	REVISED PER EC 0130-0095-93	2-23-93	MEC

- ① BRASS PER QQ-B-626
- ② GOLD PLATE PER MIL-G-45204
0.76µm [.000030] MINIMUM THICK
- ③ GOLD PLATE PER MIL-G-45204
1.27µm [.000050] MINIMUM THICK
- ④ GOLD PLATE PER MIL-G-45204
2.54µm [.000100] MINIMUM THICK
- ⑤ SILVER PLATE PER QQ-5-365
2.54µm [.000100] MINIMUM THICK



1.09 [.043]	④	1-331357-7
0.99 [.039]	④	1-331357-6
0.99 [.039]	⑤	1-331357-5
1.09 [.043]	②	1-331357-4
0.99 [.039]	②	1-331357-3
1.09 [.043]	③	1-331357-2
0.99 [.039]	③	1-331357-0
A	FINISH	PART NUMBER

DO NOT SCALE PRINT. UNLESS SPECIFIED DIMENSIONS IN IN (INCHES) TOLERANCES ON:		AMP Incorporated Harrisburg, PA 17105-3608	
2 PLC DEC ± 0.13 (.005)	OR 2-15-91 B. SCOTT	NAME CONTACT, PLUG, SERIES BNC	
3 PLC DEC ± -	CHE 3-30-91 J. LIPPERT		
ANGLES ± -	APPO 4-3-91 N. PHILLIPS	SIZE	CAGE CODE
MATERIAL ①	APPO 4-3-91 J. LIPPERT	B	00779
FINISH SEE TABLE	PRODUCT SPEC -	SCALE	DRAWING NO
	APPLICATION SPEC -	10:1	331357
	WEIGHT -		SHEET 1 OF 1

AMP 1476-15 REV 11-88

<U5128C>DEPT1425>AMP29151>U.0095-93

CUSTOMER DRAWING

Mouser Electronics

Authorized Distributor

Click to View Pricing, Inventory, Delivery & Lifecycle Information:

[TE Connectivity:](#)

[1-331357-0](#)