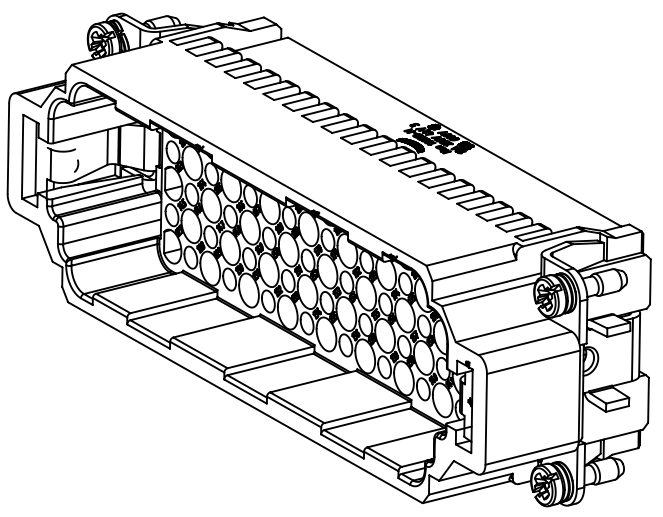
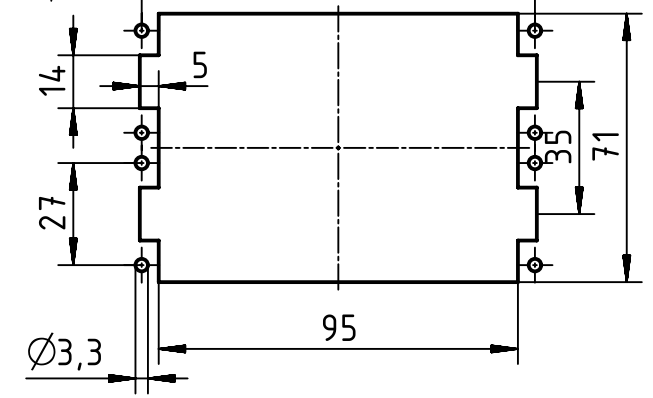


panel cut out
1:2
104



	All Dimensions in mm Original Size DIN A4		Scale 1:1	Free size tol.		Ref.	
	All rights reserved Department EL PD - DE		Created by MATAU	Inspected by PRIESTER	Standardisation TIEMANNA	Date 2016-05-10	State Final Release
HARTING Electric GmbH & Co. KG D-32339 Espelkamp		Title Han 108 DD-STI-C (109-216)				Doc-Key / ECM-Nr. 100216576/UGD/003/B 500000098054	
		Type TB	Number 09 16 108 3011			Rev. B	Page 1/1

Mouser Electronics

Authorized Distributor

Click to View Pricing, Inventory, Delivery & Lifecycle Information:

[HARTING:](#)

[09161083011](#)