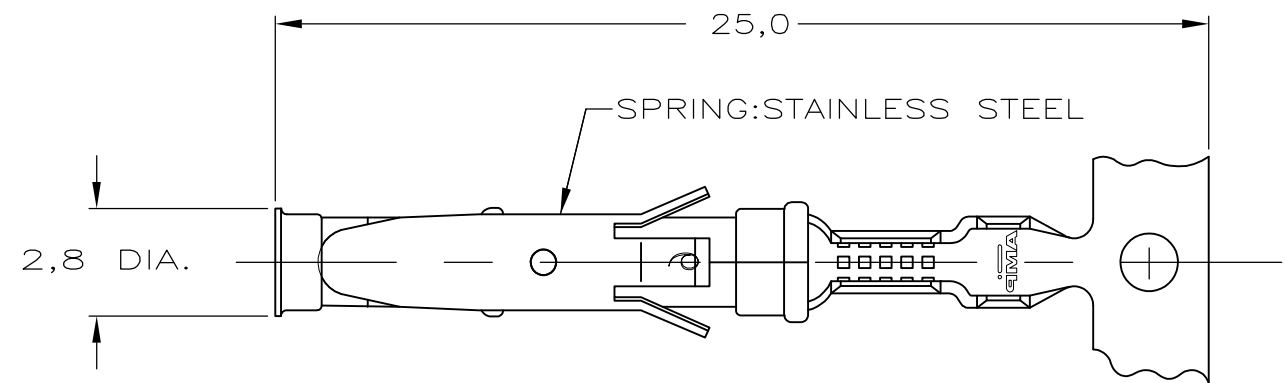
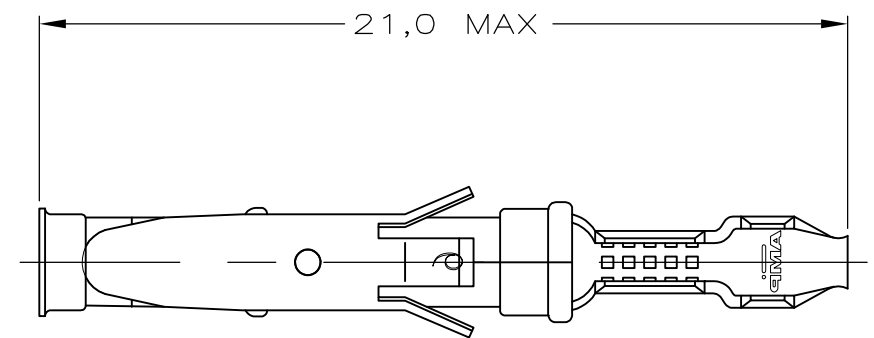


THIS DRAWING IS UNPUBLISHED. RELEASED FOR PUBLICATION  
 © COPYRIGHT - By - ALL RIGHTS RESERVED.

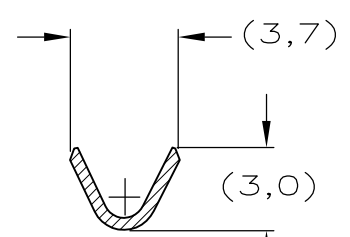
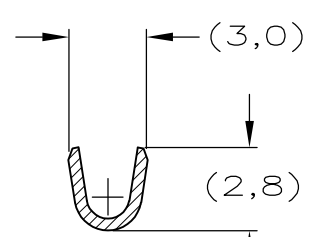
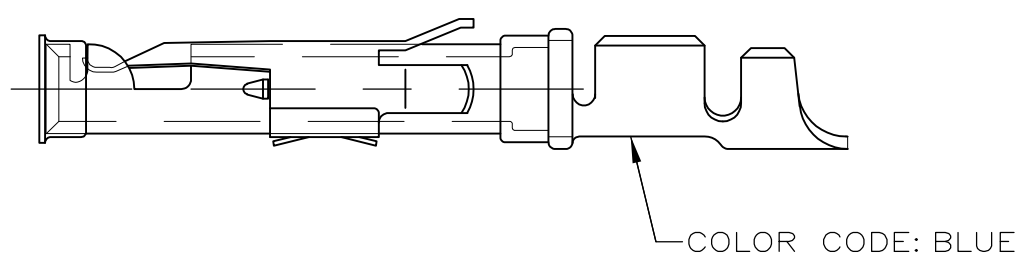
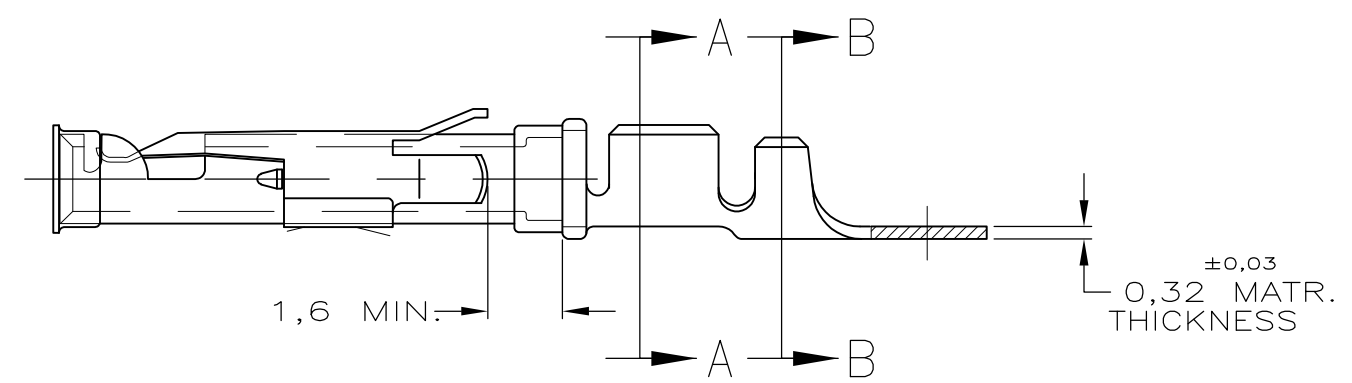
LOC	DIST	REVISIONS					
		P	LTR	DESCRIPTION	DATE	DWN	APVD
-	-		AZ2	ADDITION OF NOTE 7, TEXT "MAX" TO DIM 21.0 IN ZONE D2 AND TEXT "REF" DIM 3.0, 2.8, 3.7, & 3.0 IN ZONE B4 & B3.	21JULY2015	TJ	PS



STRIP



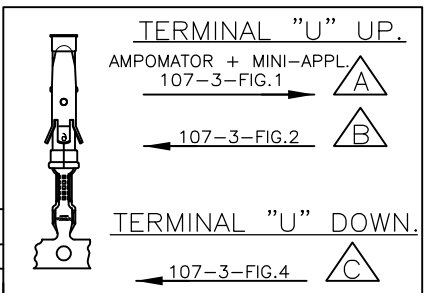
LOOSE-PIECE



SECTION A-A

SECTION B-B

WIRE RANGE : 0,75-1,50 mm<sup>2</sup> (18-16 AWG)  
 INSUL. RANGE : 2,0-2,5 mm (.080-.100)



REVISION	DESCRIPTION	PART NUMBER	DIRECTION OF REEL	LOOSE-PIECE	MATERIAL	PLATING
△4	5-163083-3	△C	1-163084-4	BRASS	ECON.GOLD	△21
△4	5-163083-2	△C		BRASS	SEL.GOLD	△22
△4	5-163083-1	△C		BRASS	EL.TIN	△20
	1-163083-4	△A	1-163084-4	BRASS	EL.TIN	△31 △20
△5	1-163083-3	△A	1-163084-3	BRASS	BR.TIN	△30
	1-163083-2	△A		BRASS	SILVER	△28
	1-163083-1	△A		BRASS	ECON.GOLD	△21
	1-163083-0	△B	1-163084-0	BRASS	ECON.GOLD	△21
	163083-9	△B		BRASS	SILVER	△28
	163083-8	△A		BRASS	EL.TIN	△20
	163083-7	△A		BRASS	SEL.GOLD	△22
△1	163083-2	△B	163084-2	BRASS	SEL.GOLD	△22
△1	163083-1	△B	163084-1	BRASS	EL.TIN	△20

- NOTES :
- △1 UL RECOGNIZED UNDER E28476 VOL VI SEC I
  - 2 FOR CRIMP DETAILS SEE SPEC. 114-19000
  - 3 MEETS PRODUCT SPECIFICATION 108-10042
  - △4 SPECIAL REEL WITH 200PCS FOR REEL-FED HAND-TOOL
  - △5 OBSOLETE PARTS: OBSOLETE CIS STREAMLINING PER D.RENAUD/D.SINISI
  - △6 OBSOLETE
  - 7 OMISSION OF 6 CONTACTS MAX PER REEL OF 5000PCS
  - △31 LUBRICATED

NOTES	MATERIAL	THICKNESS	AREA
△20	TIN	2,0 μm	ALL OVER
△21	NICKEL GOLD TIN	0,8 μm	ALL OVER CONTACT AREA BARREL
△22	NICKEL GOLD GOLD	0,8 μm	ALL OVER CONTACT AREA ALL OVER
△23	NICKEL GOLD GOLD	1,2 μm	ALL OVER CONTACT AREA ALL OVER
△27	NICKEL SILVER TIN	2,5 μm	ALL OVER CONTACT AREA BARREL
△28	SILVER NICKEL	1,5-2,5 μm	ALL OVER
△29	SILVER	0,76 μm	ALL OVER
△30	NICKEL TIN	2,5 μm	ALL OVER
		1,27 μm	ALL OVER
		1,27 μm	ALL OVER

THIS DRAWING IS A CONTROLLED DOCUMENT.

DIMENSIONS:	TOLERANCES UNLESS OTHERWISE SPECIFIED:
mm	0 PLC ± -
	1 PLC ± -
	2 PLC ± -
	3 PLC ± -
	4 PLC ± -
	ANGLES ± -
MATERIAL	FINISH
REFER TABLE	REFER TABLE

DWN	M THAJUDEEN	21JULY2015
CHK	GANI NIMBENNA	21JULY2015
APVD	PRASHANTH S	21JULY2015
PRODUCT SPEC	108-10042	
APPLICATION SPEC	114-19000	
WEIGHT	-	
CUSTOMER DRAWING		

**STE** TE Connectivity

TYPE III+, SIZE 16, SOCKET ASS'Y,  
18-16 AWG, 2.0-2.5mm DIA INSULATION

SIZE	CAGE CODE	DRAWING NO	RESTRICTED TO
A3	00779	C-163083	-

SCALE - SHEET 1 OF 1 REV AZ2

# Mouser Electronics

Authorized Distributor

Click to View Pricing, Inventory, Delivery & Lifecycle Information:

[TE Connectivity:](#)

[163083-7](#)