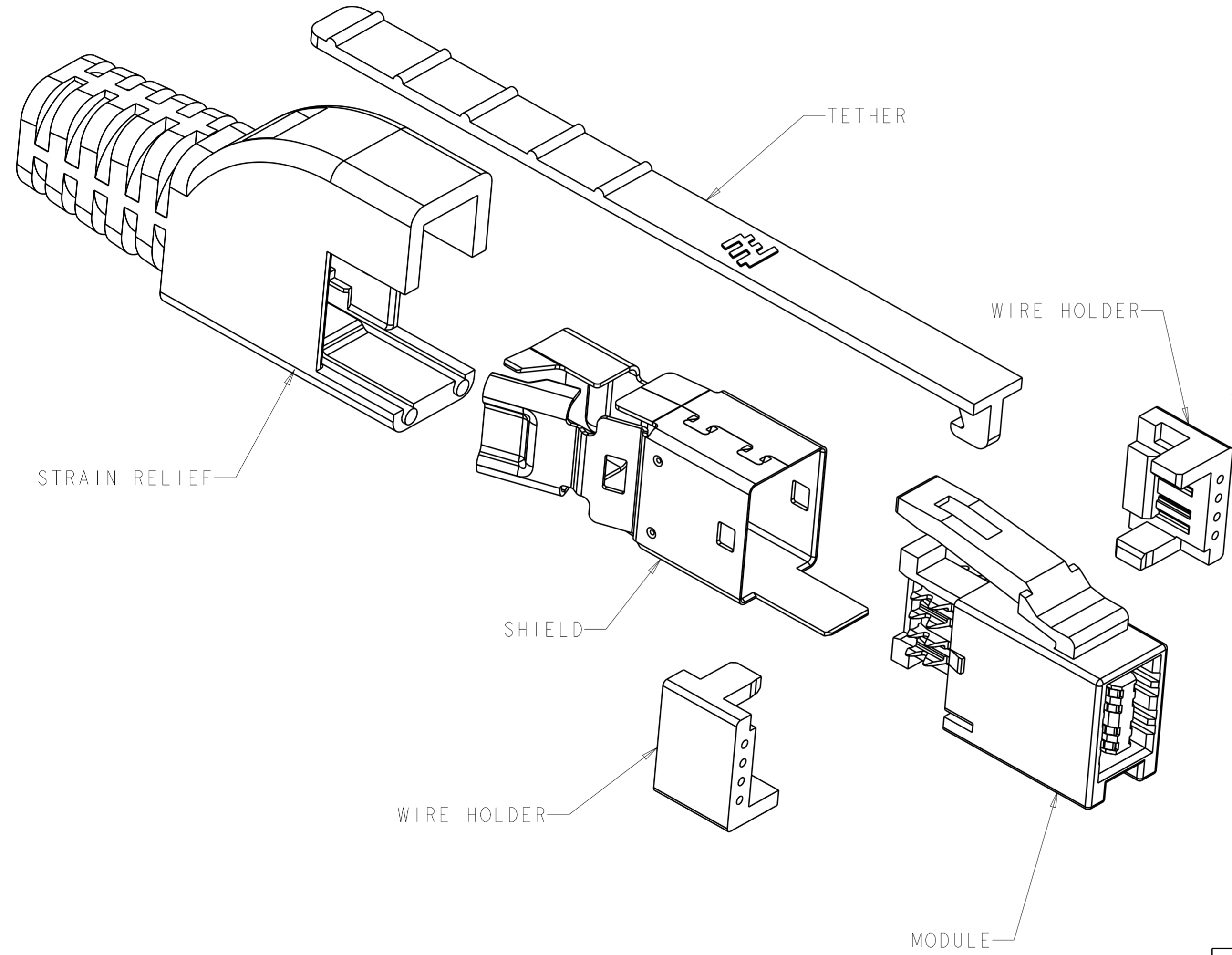


THIS DRAWING IS UNPUBLISHED. RELEASED FOR PUBLICATION 20
 © COPYRIGHT 20 BY - ALL RIGHTS RESERVED.

REVISIONS				
P	LTR	DESCRIPTION	DATE	APVD
	A	INITIAL RELEASE	22MAR2016	LL SH



- 1. MATERIAL:
 MODULE HOUSING AND COVERS: POLYCARBONATE, CLEAR.
 MODULE CONTACTS: BRASS WITH 0.076µm MIN GOLD OVER 0.68µm PALLADIUM-NICKEL ON MATING INTERFACE OVER 1.27µm MIN NICKEL.
 SHIELD: STAINLESS STEEL, PASSIVATE.
 STRAIN RELIEF: ELASTOMER POLYOLEFIN.
 LIGHTPIPE: POLYCARBONATE, CLEAR.
 TETHER: NYLON 6/6.
- 2. PRODUCT FOR USE WITH QUABBIN CABLE P/N 5400 OR OTHER CAT5e QUALIFIED CABLE WITH THE FOLLOWING MECHANICAL CONSTRAINTS:
 CABLE ONLY WITH FOIL (FTP)
 CENTER CONDUCTOR- 26 AWG STRANDED
 PRIMARY INSULATION DIAMETER 0.89 TO 0.99mm
 MAX JACKET O.D. - 5.60MM
- 3. REFER TO APPLICATION SPECIFICATION 114-13235 FOR COMPLETE ASSEMBLY INSTRUCTIONS
- 4. PRODUCT TO BE TERMINATED USING HAND TOOL P/N 2031734-1
- 5. BULK PACKAGING

5	2170185-1	2170185-2
1	1	2170185-1
QTY PER KIT	MATERIAL	PART NUMBER

THIS DRAWING IS A CONTROLLED DOCUMENT.		DWN 24NOV2011 DAVID SHEN	STE TE Connectivity	
		CHK 24NOV2011 ALEX SHOAL		
		APVD 24NOV2011 MANQIAN WANG	NAME SHIELDED PLUG KIT RJ POINT FIVE	
DIMENSIONS: mm		PRODUCT SPEC 108-60097	SIZE A200779	CAGE CODE C-2170185
TOLERANCES UNLESS OTHERWISE SPECIFIED: 0 PLC ± 1 PLC ± 2 PLC ± 3 PLC ± 4 PLC ± ANGLES ± FINISH		APPLICATION SPEC 114-13235	RESTRICTED TO -	SCALE 1:1
MATERIAL		WEIGHT -	CUSTOMER DRAWING	SHEET 1 OF 2 REV A

THIS DRAWING IS UNPUBLISHED. RELEASED FOR PUBLICATION 20
 © COPYRIGHT 20 BY - ALL RIGHTS RESERVED.

REVISIONS				
P	LTR	DESCRIPTION	DATE	APVD
-	-	SEE SHEET 1	-	-

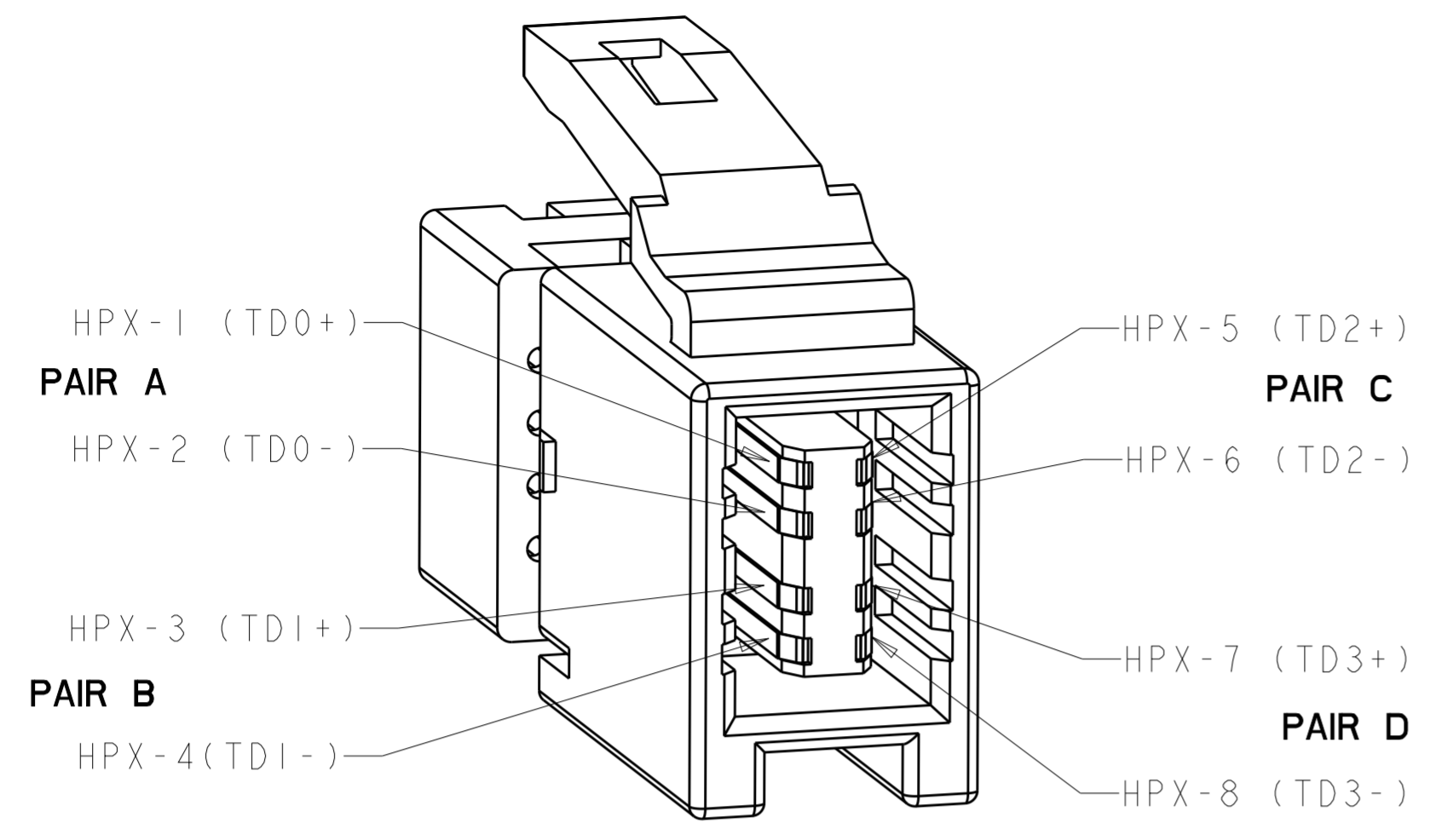


FIGURE 1
 SCALE 8:1

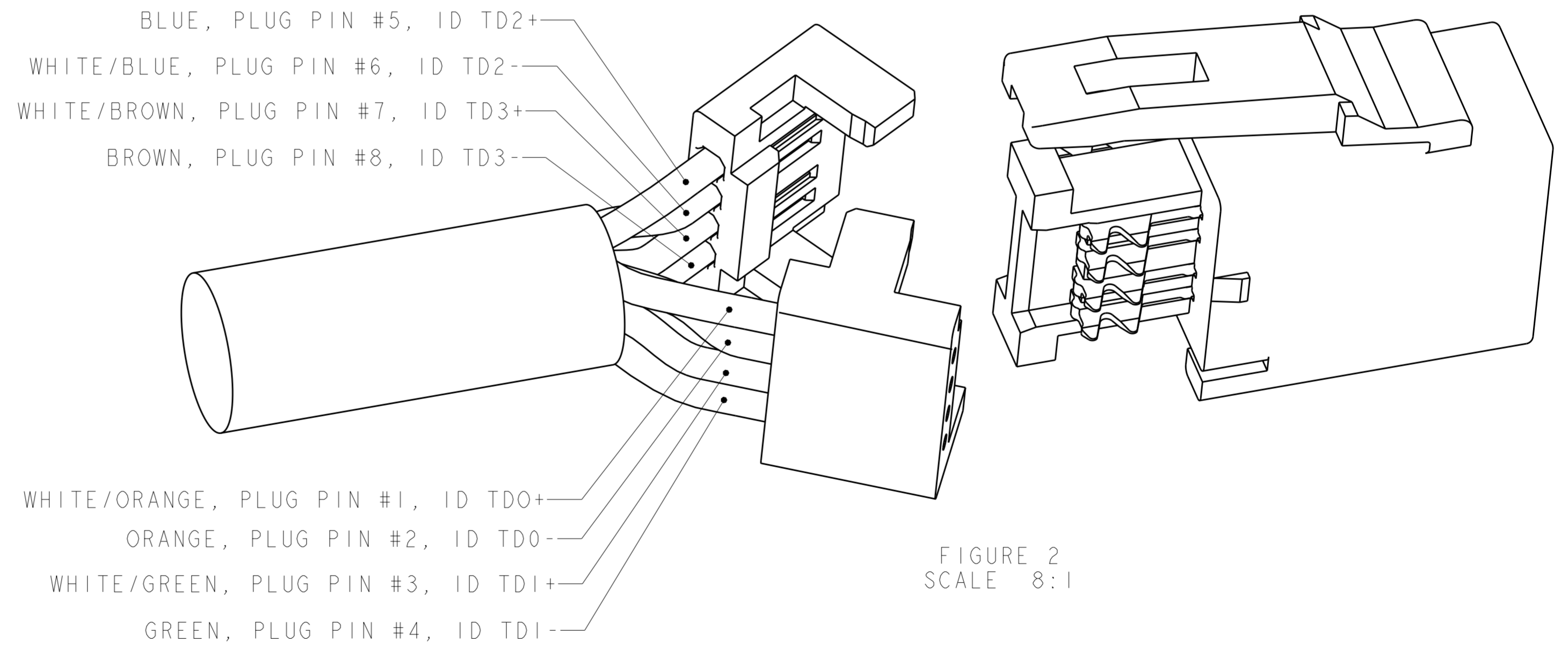


FIGURE 2
 SCALE 8:1

THIS DRAWING IS A CONTROLLED DOCUMENT.		DWN 24NOV2011 DAVID SHEN	STE TE Connectivity	
		CHK 24NOV2011 ALEX SHOAL		
		APVD 24NOV2011 MANLIAN WANG	NAME SHIELDED PLUG KIT RJ POINT FIVE	
DIMENSIONS:		PRODUCT SPEC	SIZE CAGE CODE DRAWING NO RESTRICTED TO	
mm	TOLERANCES UNLESS OTHERWISE SPECIFIED:	108-60097	A200779 C-2170185	
	0 PLC ±	APPLICATION SPEC	SCALE 1:1 SHEET 2 OF 2 REV A	
	1 PLC ±	114-13235		
	2 PLC ±	WEIGHT -		
	3 PLC ±	CUSTOMER DRAWING		
	4 PLC ±			
	ANGLES ±			
	FINISH -			
	-			

Mouser Electronics

Authorized Distributor

Click to View Pricing, Inventory, Delivery & Lifecycle Information:

[TE Connectivity:](#)

[2170185-2](#)