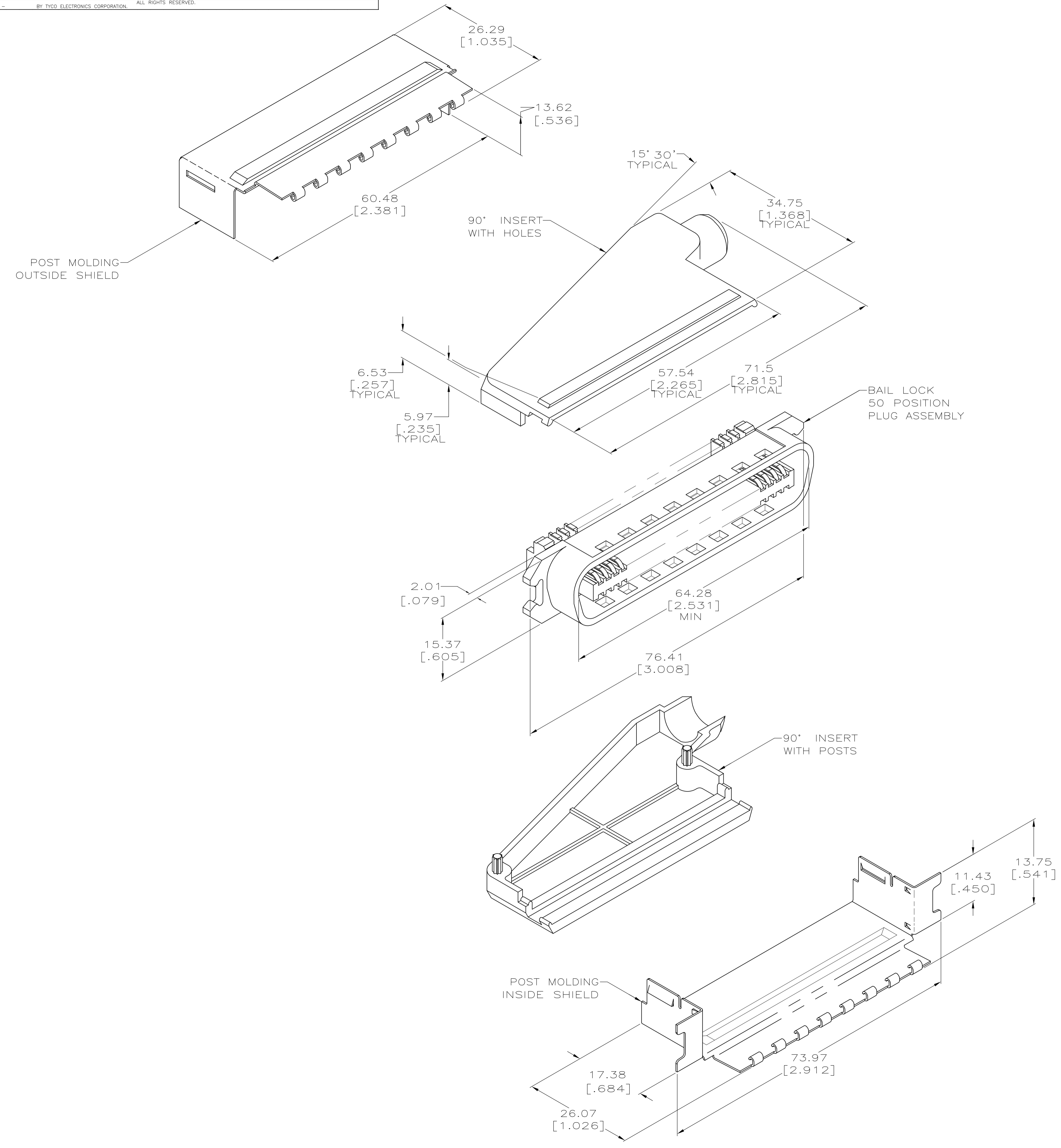


LOC		DIST		REVISIONS			
GP	00	P	LTR	DESCRIPTION	DATE	DMN	APVD
M				REVISED PER ECO-08-007327	02OCT08	BM	WM



1. THIS KIT SHIPPED NOT ASSEMBLED.
- △ MATERIAL: INSERT – ABS MOLDING COMPOUND.
 PLUG HOUSING – POLYPHENYLENE OXIDE, SEE TABLE FOR COLOR.
 TERMINAL – HIGH STRENGTH COPPER ALLOY PLATED WITH 0.76μm [.000030] MIN GOLD OR GOLD FLASH OVER PALLADIUM NICKEL PLATE, 0.76μm [.000030] MIN TOTAL ON MATING SURFACE. 1.27μm [.000050] MIN NICKEL UNDERPLATE OVER ENTIRE TERMINAL.
- SHIELDS – BRIGHT NICKEL PLATED CARBON STEEL.
- △ WIRE SIZE: 24 OR 26 AWG SOLID OR 24 AWG 7 STRANDED COPPER CONDUCTORS. MAXIMUM INSULATION DIAMETER OF 1.14[.045] IS ACCEPTABLE FOR MOST APPLICATIONS.
4. CENTER-TO-CENTER SPACING OF TERMINALS IS 2.16 [.085] NOMINAL.
- △ BULK PACKAGED 500 KITS PER CONTAINER.
7. DIMENSIONS ARE MAXIMUM UNLESS OTHERWISE SPECIFIED.
- △ WIRE SIZE: 26, 27 OR 28 AWG 7 STRANDED COPPER CONDUCTORS. MAXIMUM INSULATION DIAMETER OF 1.14[.045] IS ACCEPTABLE FOR MOST APPLICATIONS.

OBSOLETE	BLACK	E	△	△	△	5-555012-3
	GRAY	E	△	△	△	5-555012-2
		B	△	△	△	5-555012-1
	HOUSING COLOR	SLOT	WIRE SIZE	PACKAGED	PART NUMBER	

THIS DRAWING IS A CONTROLLED DOCUMENT.		DIN DL DRUMMOND 7-21-95	Tyco Electronics Corporation		
DIMENSIONS: mm [INCHES]		CIK D. AHERON 8-11-95	Harrisburg, PA 17105-3608		
TOLERANCES UNLESS OTHERWISE SPECIFIED:		APVD M. HUGHES 8-11-95	NAME		
0. PLC ± -		PLUG KIT, 50 POSITION, POST MOLDING, SHIELDED, 90 DEGREE, BAIL LOCK, CHAMP			
1. PLC ± -		PRODUCT SPEC			
2. PLC ± -		APPLICATION SPEC			
3. PLC ± -		SIZE CAGE CODE DRAWING NO			
4. PLC ± -		RESTRICTED TO			
ANGLES ± -		A1 00779 C=555012			
MATERIAL △	FINISH △	WEIGHT -	SCALE 2:1	SHEET 1 OF 1	REV M
CUSTOMER DRAWING					

Mouser Electronics

Authorized Distributor

Click to View Pricing, Inventory, Delivery & Lifecycle Information:

[TE Connectivity:](#)

[5-555012-2](#)