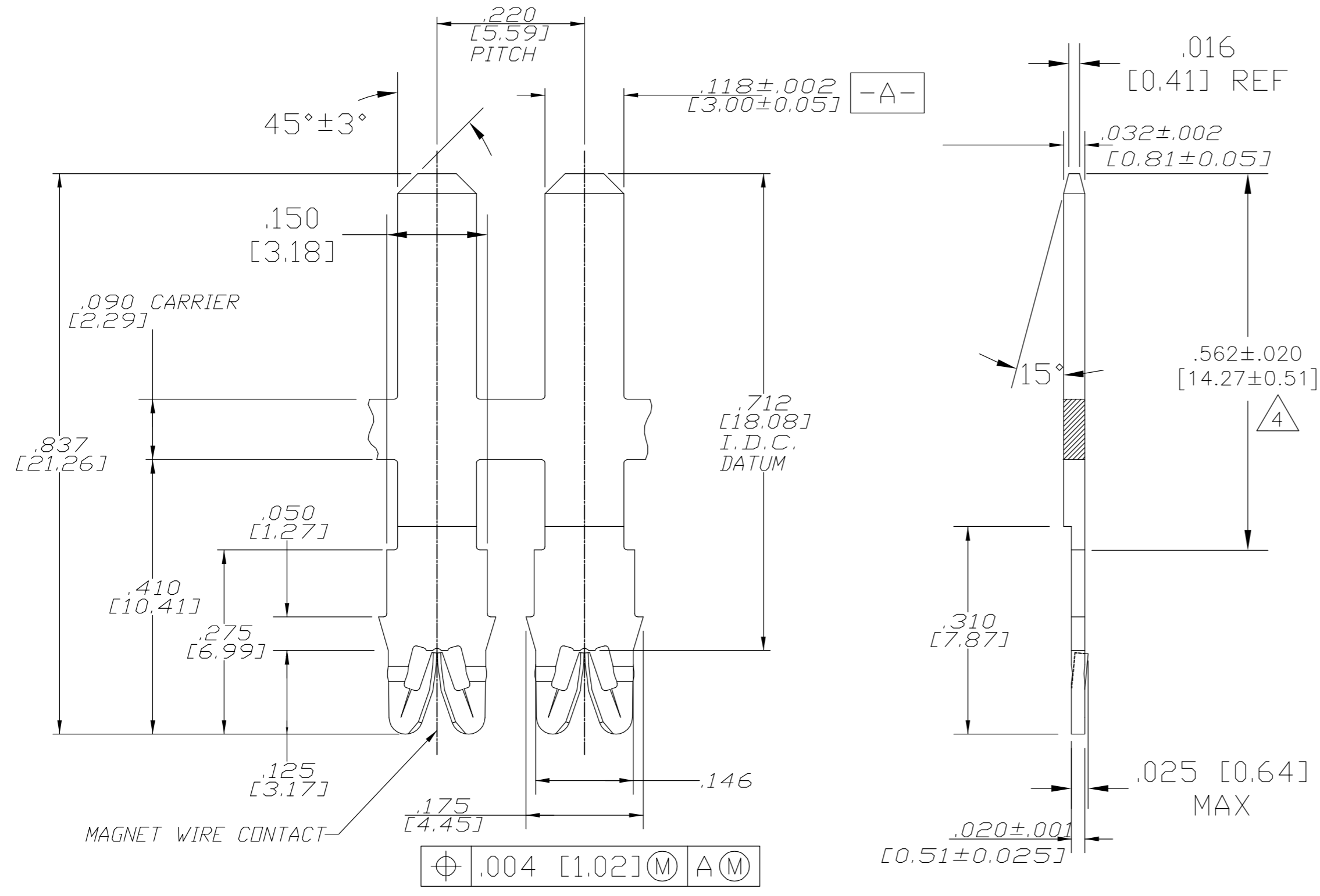
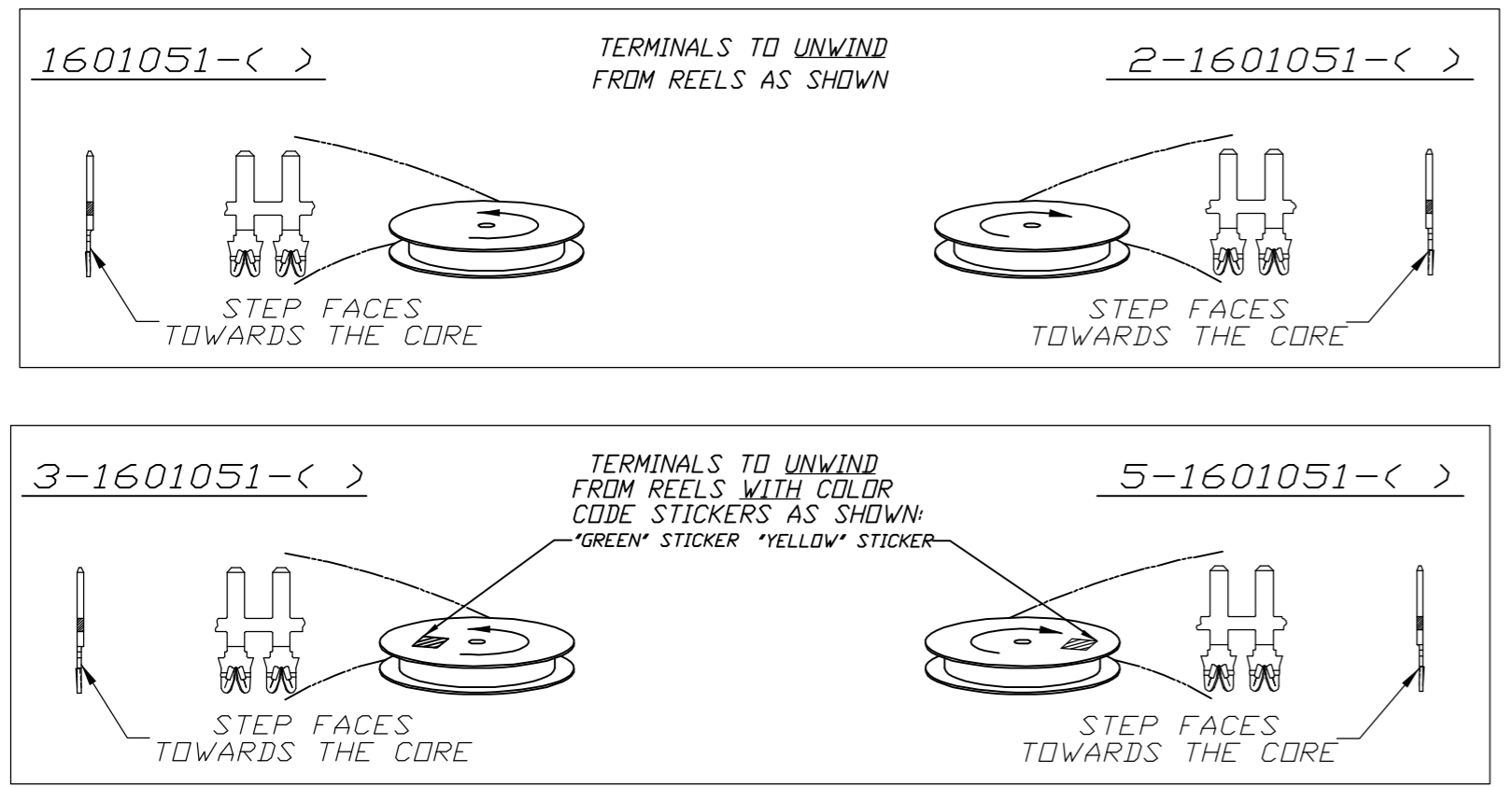
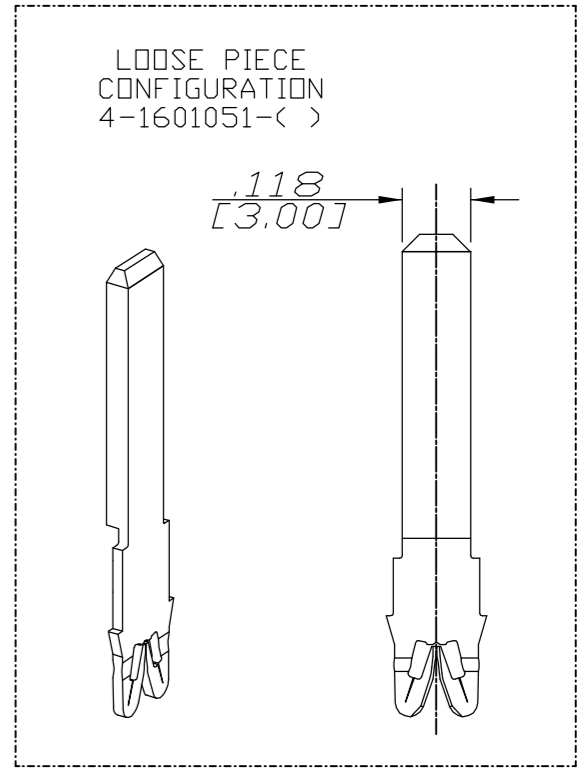


THIS DRAWING IS UNPUBLISHED. RELEASED FOR PUBLICATION  
 © COPYRIGHT BY TYCO ELECTRONICS CORPORATION. ALL RIGHTS RESERVED.

LOC		DIST		REVISIONS			
P	LTR	DESCRIPTION	DATE	DWN	APVD		
AF	50	E1	REVISED PER ECR 05-008133	19AUG05	JR	KR	



1. SPECIFICATIONS:  
 MAGNET WIRE #18 - #34 AWG,  
 .040"(.02mm)-.006"(.16mm) DIA. COPPER  
 OTHER SIZES MAY BE ACCOMMODATED,  
 CONSULT TYCO ELECTRONICS FOR APPROVAL.
2. POCKET RECOMMENDATION:  
 #1601425
3. PRELIMINARY - NOT FOR PRODUCTION.
4. SELECTIVE PLATE THIS AREA:  
 .000030 [0.00076] MIN GOLD PLATE OVER  
 .000050 [0.00127] MIN NICKEL UNDERPLATE  
 OVER ENTIRE TERMINAL.



FINISH	REFERENCE PART NUMBER	TYCO PART NUMBER
Pre-Tin Plate over Copper Underplate	-	2-1601051-2
4	-	3 1601051-3
UNPLATED	-	3 1601051-1
Pre-Tin Plate over Copper Underplate	-	3 5-1601051-2
Pre-Tin Plate over Copper Underplate	-	3 3-1601051-2
Pre-Tin Plate over Copper Underplate	031-113-014	4-1601051-2
Pre-Tin Plate over Copper Underplate	131-113-014	1601051-2
FINISH		TYCO PART NUMBER
THIS DRAWING IS A CONTROLLED DOCUMENT.		NAME
DIMENSIONS: INCHES	TOLERANCES UNLESS OTHERWISE SPECIFIED:	APVD
0 PLC ± -	1 PLC ± -	11JAN2002
2 PLC ± .01[0.25]	3 PLC ± .005[0.13]	CHK
4 PLC ± -	ANGLES ± 2'	11JAN2002
MATERIAL	FINISH	PRODUCT SPEC
BRASS, 3/4 HARD	SEE TABLE	108-2085
CUSTOMER DRAWING		APPLICATION SPEC
SCALE 1:1		408-8629
SHEET 1 OF 1		WEIGHT -
REV E1		SIZE
		CAGE CODE
		DRAWING NO
		RESTRICTED TO
		A2 00779 C=1601051

# Mouser Electronics

Authorized Distributor

Click to View Pricing, Inventory, Delivery & Lifecycle Information:

[TE Connectivity:](#)

[4-1601051-2](#)