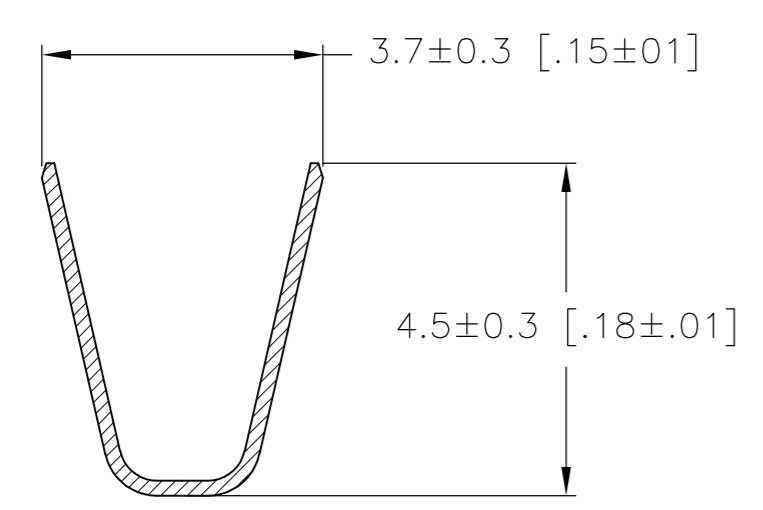
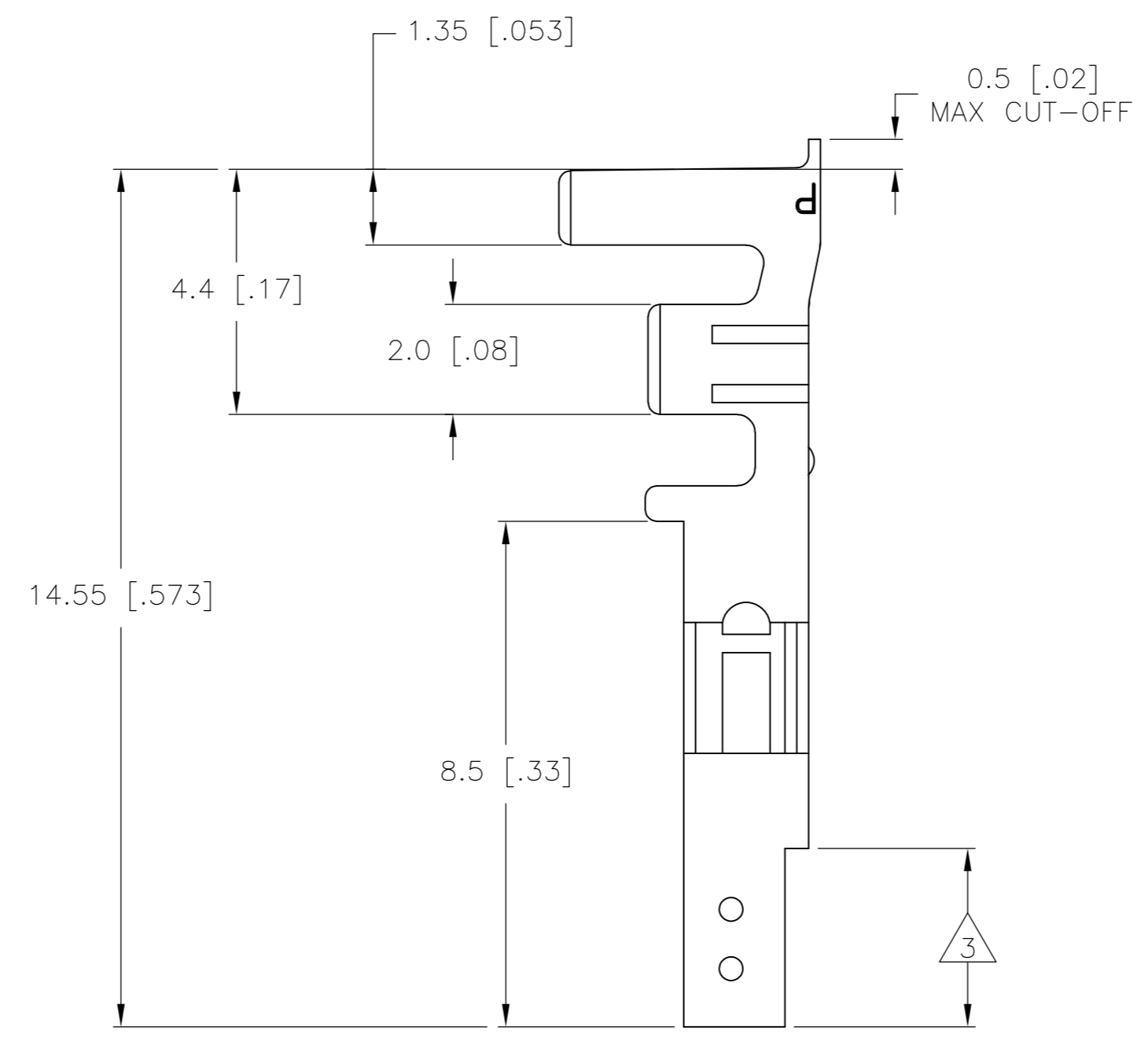
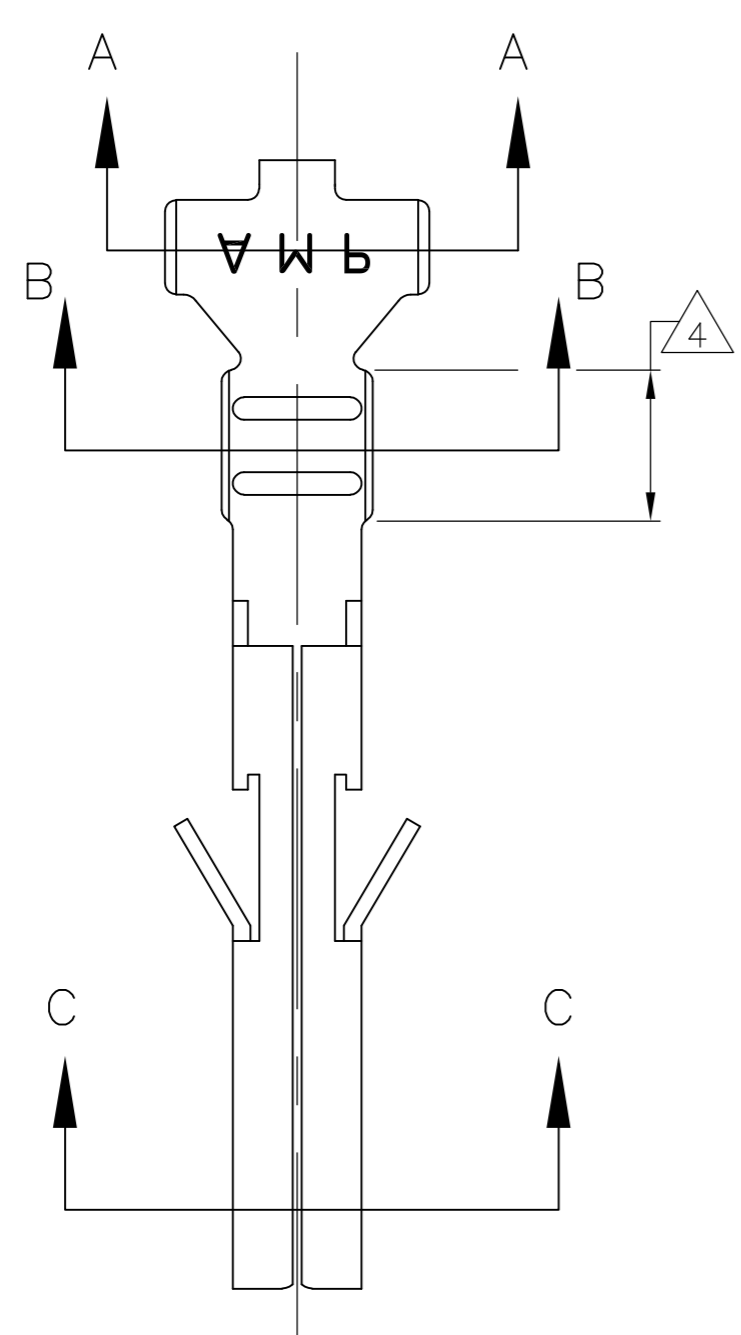


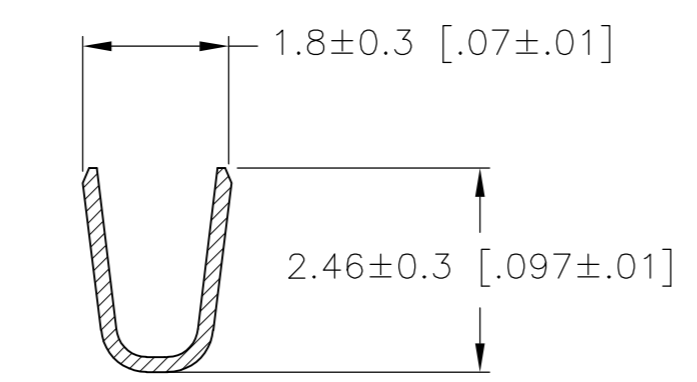
THIS DRAWING IS UNPUBLISHED. RELEASED FOR PUBLICATION
 © COPYRIGHT - By - ALL RIGHTS RESERVED.

LOC		DIST		REVISIONS			
P	LTR	DESCRIPTION		DATE	DWN	APVD	
CM	00	B1	REVISED PER ECO-11-004820		11MAR11	RK	HMR

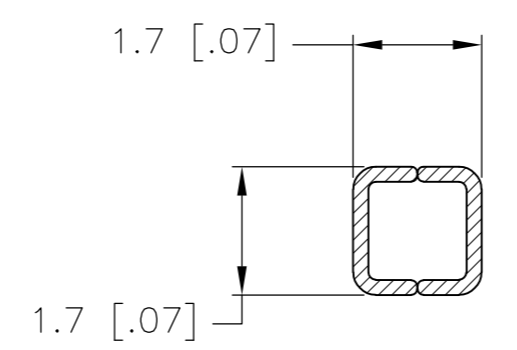
- 1 WIRE RANGE: 0.2-0.8mm² (24-18 AWG).
- 2 INSULATION RANGE: 1.5-2.4 DIA.
- 3 FINISH: 0.76μm MIN GOLD OVER 1.27μm MIN NICKEL REQUIRED ON INNER SURFACE, PERMITTED ON OUTER SURFACE.
- 4 FINISH: 2.54μm MIN TIN ON ALL SURFACES IN THIS AREA.



SECTION A-A



SECTION B-B



SECTION C-C

GOLD	3 4	PHOS. BRZ.	1586315-4
PRE-TIN		PHOS. BRZ.	1586315-3
GOLD	3 4	BRASS	1586315-2
PRE-TIN		BRASS	1586315-1
FINISH:		MATERIAL:	PART NO.

DIMENSIONS:		TOLERANCES UNLESS OTHERWISE SPECIFIED:		DWN		14-OCT-2003	
mm	[INCHES]	0 PLC	±	S. HOOVER	14-OCT-2003	TE Connectivity NAME TERMINAL LOOSE PIECE, SOCKET VAL-U-LOK(TM)	
		1 PLC	± 0.3 [.01]	CHK	14-OCT-2003		
		2 PLC	± 0.15 [.004]	D. COLEY			
		3 PLC	± 0.050 [.0020]	APVD	14-OCT-2003		
		4 PLC	±	D. COLEY		SIZE	
		ANGLES	±	PRODUCT SPEC		CAGE CODE	DRAWING NO
		FINISH		APPLICATION SPEC		A2	00779
MATERIAL				WEIGHT		C=	1586315
				CUSTOMER DRAWING		SCALE	10:1
						SHEET	1 OF 1
						REV	B1

Mouser Electronics

Authorized Distributor

Click to View Pricing, Inventory, Delivery & Lifecycle Information:

[TE Connectivity:](#)

[1586315-2](#)