

# OA300ST Short Tray



# Environment Responsive Smart Fan Tray 432 x 203 x 44.5mm

The OA300ST smart fan tray saves energy by sensing the ambient temperature and adjusting it's fan speed accordingly.

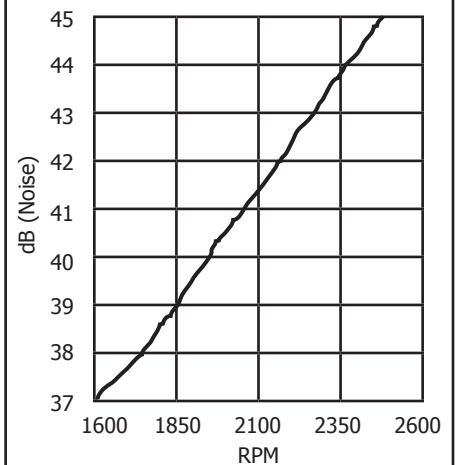
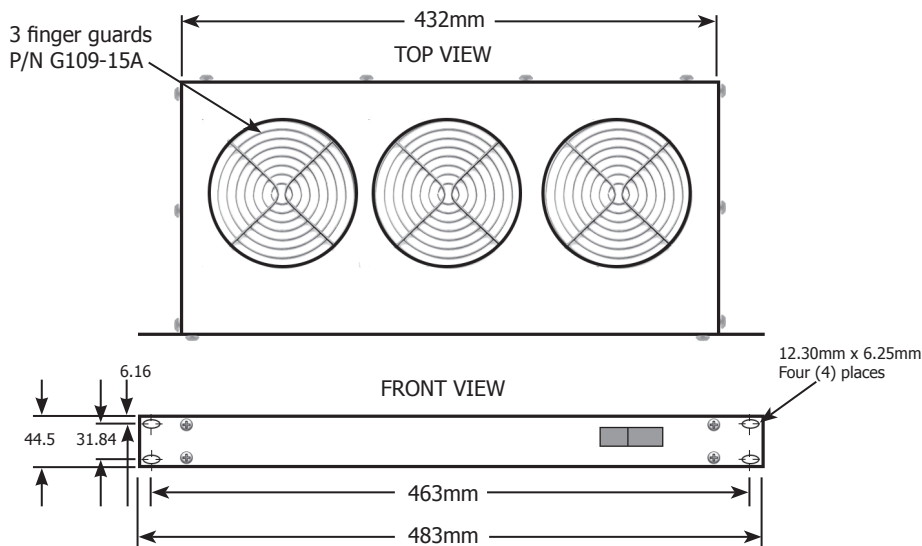
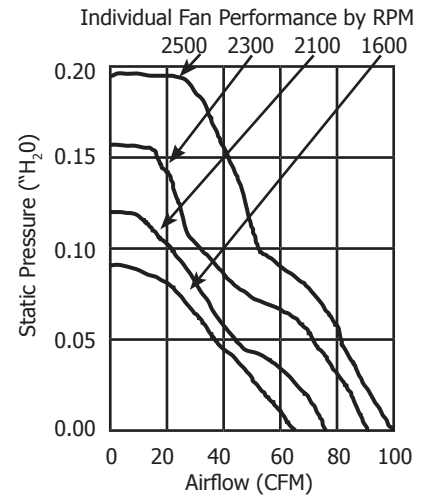
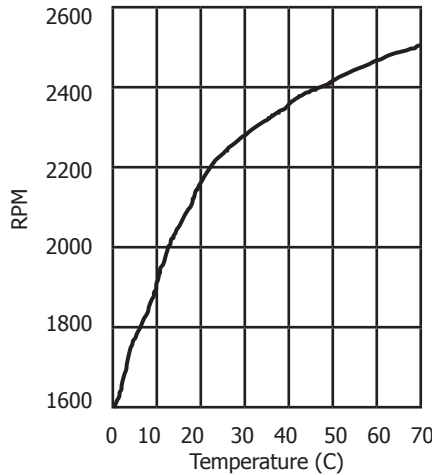
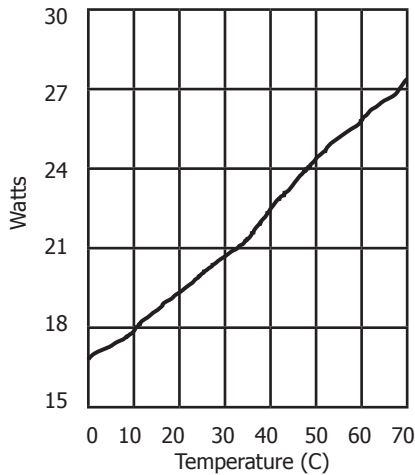
Modular power cord is resettable circuit breaker, and lighted rocker.

Speed: 1600 ~ 2500 RPM  
Air Flow: 190 ~ 300

Slides easily into any standard 19" rack

115V, 230V AC available

600,000 hour life expectancy



Low noise  
Low power consumption  
Ultra low speed operation

### OPTIONS

Automatic thermal control, hub mounted or lead mounted  
Manual speed control

Part Number	Description:
OA300ST-12003	120VAC, hub-mounted thermistor
OA300ST-12004	120VAC, remote, detachable thermistor
OA300ST-23003	230VAC, hub-mounted thermistor
OA300ST-23004	230VAC, remote, detachable thermistor

# Mouser Electronics

Authorized Distributor

Click to View Pricing, Inventory, Delivery & Lifecycle Information:

## Orion Fans:

[OA300ST-120](#) [OA300ST-230](#) [OA600ST-230](#) [OA600ST-120](#)