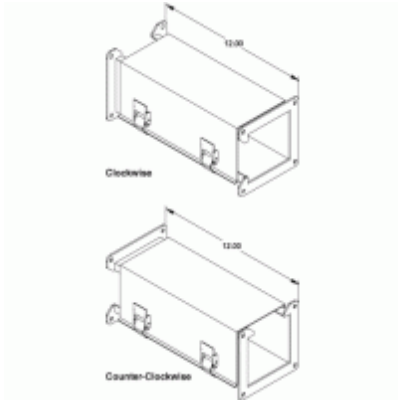




Quality Products. Service Excellence.

12" Transposition Sections Clockwise & Counter-Clockwise 1485 Z Series



- Used to rotate the open side of a wireway run by 90° and maintain the lay-in feature

| Clockwise Part No. | Counter-Clockwise Part No. | Size |
|--------------------|----------------------------|-----------|
| 1485BZ12 | 1485BZC12 | 2.5 x 2.5 |
| 1485CZ12 | 1485CZC12 | 4 x 4 |
| 1485DZ12 | 1485DZC12 | 6 x 6 |
| 1485EZ12 | 1485EZC12 | 8 x 8 |

One flat sealing plate included



Data subject to change without notice

© 2020. Hammond Manufacturing Ltd. All rights reserved.

Mouser Electronics

Authorized Distributor

Click to View Pricing, Inventory, Delivery & Lifecycle Information:

[Hammond:](#)

[1485DZC12](#) [1485BZ12](#) [1485BZC12](#) [1485CZ12](#) [1485CZC12](#) [1485DZ12](#) [1485EZ12](#) [1485EZC12](#)