

Tous droits strictement réservés. Reproduction ou communication o des tiers interdite sous quelque forme que ce soit sans autorisation écrite du propriétaire. Propriete de c FCI. Droits de reproduction FCI.



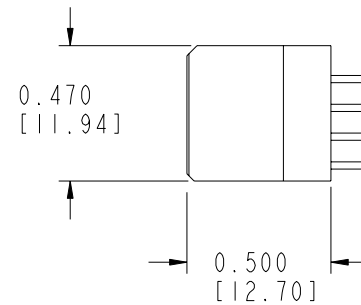
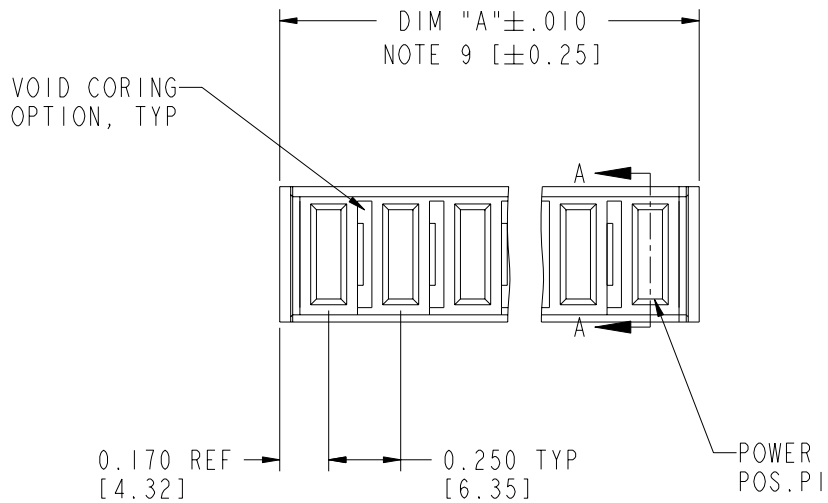
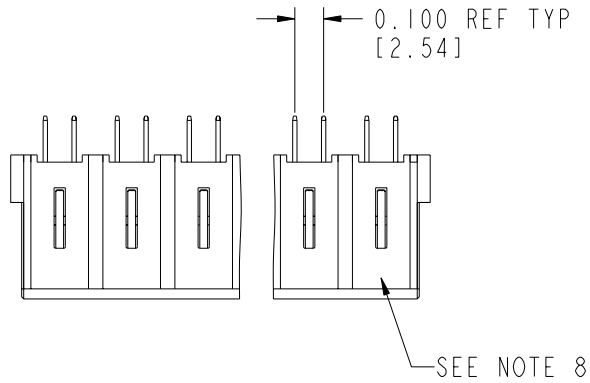
All rights strictly reserved. Reproduction or issue to third parties in any form whatever is not permitted without written authority from the proprietor. Property of FCI. Copyright FCI.

PRODUCT NUMBER  
51747-ABB00000EF\_\_  
NOTE: 3  
SEE NOTE 1

1 | 2

3 |

4



mat'l code				SEE NOTE 2		tolerances unless otherwise specified		CUSTOMER		FCI www.fciconnect.com	
ltr	ecr no.	dr	date	linear	.XX±.01/.X±.3		COPY		title VERTICAL RECEPTACLE w/o GUIDE PIN POWER		
A	V02388	JWS	10/05/00		.XXX±.005/.XX±.13		projection				
B	DG06-0475	JULIA	11/15/06	angles	.XXX±.0020/.XXX±.051		0°±2°		product family PWRBLADE code 213 sheet 1 of 3		
					dr	LEV4	10/14/99	INCH/MM			
				enr	J. BROWN	10/14/99	scale		product family PWRBLADE code 51747 sheet 1 of 3		
				chr	J. BROWN	10/14/99	3:2				
				appd	J. BROWN	10/14/99			cage code 22526		
sheet index	revision sheet	B	B	B							
		1	2	3							

Pro/E

3 |

cage code 22526

4

PDM: Rev:B

STATUS: Released

Printed: Dec 20, 2010

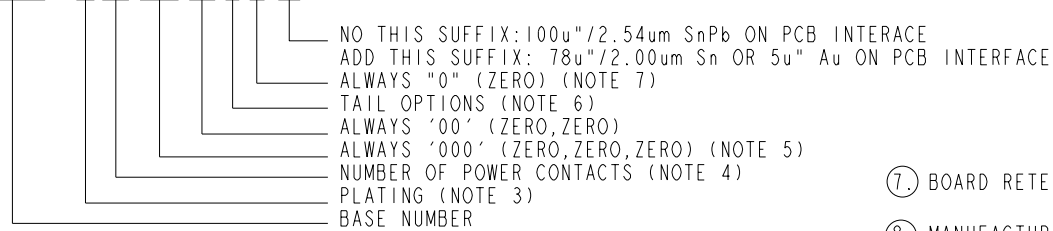


PRODUCT NUMBER	DIM	LENGTH FORMULAS (SEE NOTE 9)
51747-ABB00000EF__ NOTE: 3	DIM "A"	.250 [6.35] x BB + .090 [2.29] (NOTE 9)
SEE NOTE 1	DIM "F"	.250 [6.35] x BB + .120 [3.05]

CONNECTOR NOTES:

①. PRODUCT NUMBER CODE:

51747 - A BB 000 00 E 0 LF



② HOUSING MATERIAL: GLASS FILLED V-0 HIGH TEMP THERMO PLASTIC  
 POWER CONTACT MATERIAL: COPPER ALLOY

③ 51747-1BB00000EF;51747-1BB00000EFLF;51747-3BB00000EFLF  
 PLATING SPEC. SEE PRINT:10064183

④ POWER CONTACT, 01 TO 20 AVAILABLE.  
 MAXIMUM OF 20 POWER CONTACTS PER CONNECTOR

⑤ THIS PART IS NOT AVAILABLE WITH SIGNAL CONTACTS.

⑥ TAIL OPTIONS:  
 A = .135±.010 [3.43±.25] SOLDER TO BOARD  
 C = .135±.010 [3.43±.25] PRESS FIT

⑦. BOARD RETENTION NOT AVAILABLE WITH GUIDELESS ENDS

⑧. MANUFACTURE'S NAME, P/N, AND DATE CODE TO APPEAR ON THIS SURFACE.

⑨. THE MAXIMUM OVERALL LENGTH (DIM A) OF A PART IS 8.00 [203.2].

10. PRODUCT SPECIFICATION GS-12-149.

11. REFERENCE 51698 FOR SPECIALS WORKSHEET.

PCB NOTES:

12. ALL DIMENSIONS ARE BASIC UNLESS OTHERWISE SPECIFIED.

13. ALL THROUGH HOLES ARE LOCATED WITH A TRUE POSITION OF 0.004 [0.10].

14. ALL HOLE DIAMETERS ARE FINISHED HOLE SIZE.

15.  $\varnothing 0.0453 \pm 0.001$  [1.151±0.02] DRILLED HOLES PLATED WITH 0.0003 [0.007] MIN SnPb OVER 0.001 [0.03] TO 0.003 [0.08] PLATING TO ACHIEVE A 0.040±0.003 [1.02±0.08] HOLE.

mat'l code				SEE NOTE 2		tolerances unless otherwise specified		CUSTOMER		FCI		www.fciconnect.com	
ltr	ecn no.	dr	date	linear	.XX±.01/.X±.3		COPY		title VERTICAL RECEPTACLE w/o GUIDE PIN POWER				
B					.XXX±.005/.XX±.13		projection						
					.XXX±.0020/.XXX±.051								
				angles	0°±2°				product family		code		
				dr	LEV4	10/14/99	INCH/MM		PWRBLADE		213		
				engr	J. BROWN	10/14/99	scale		size		sheet		
				chr	J. BROWN	10/14/99	3:2		A		2		
				appd	J. BROWN	10/14/99			51747				
sheet index	revision sheet												

cage code 22526

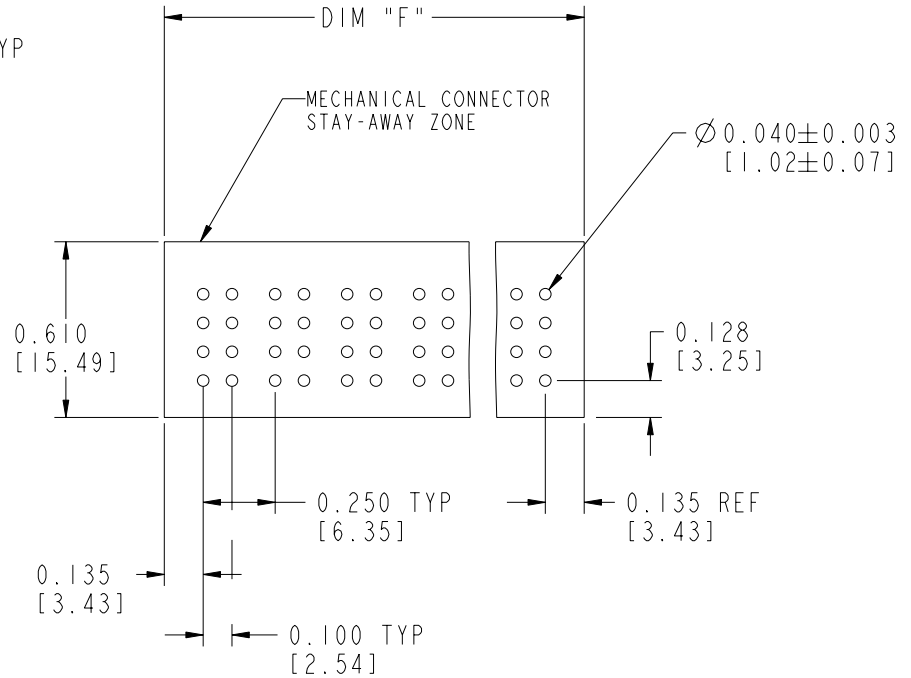
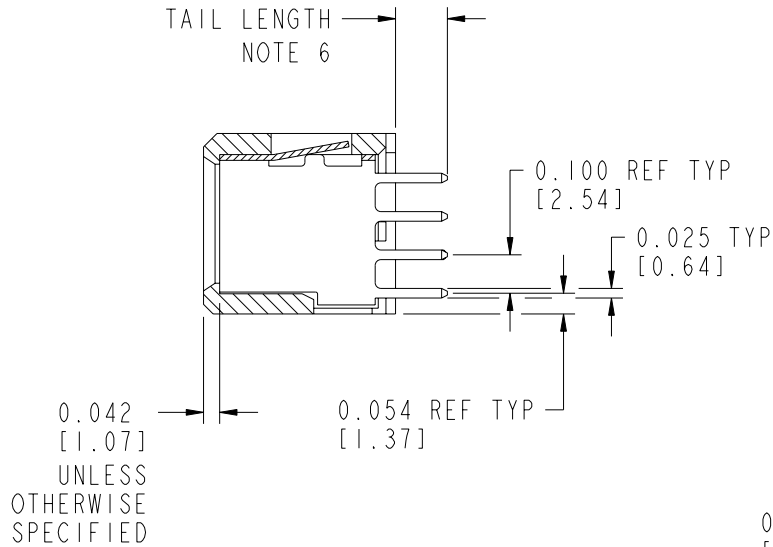
Pro/E

Tous droits strictement réservés. Reproduction ou communication a des tiers interdite sous quelque forme que ce soit sans autorisation écrite du propriétaire. Propriété de c FCI. Droits de reproduction FCI.



All rights strictly reserved. Reproduction or issue to third parties in any form whatever is not permitted without written authority from the proprietor. Property of FCI. Copyright FCI.

PRODUCT NUMBER  
51747-ABB00000EF\_\_  
NOTE: 3



mat'l code				SEE NOTE 2		tolerances unless otherwise specified		CUSTOMER		FCI		www.fciconnect.com	
ltr	ecn no.	dr	date	linear	.XX±.01/.X±.3		COPY		projection	title			
B					.XXX±.005/.XX±.13		INCH/MM			VERTICAL RECEPTACLE w/o GUIDE PIN POWER			
					.XXX±.0020/.XXX±.051		3:2			product family		code	
					0°±2°		A			PWRBLADE		213	
				dr	LEV4	10/14/99	scale		size		dwg no		
				enr	J. BROWN	10/14/99	3:2		A		51747		
				chr	J. BROWN	10/14/99					sheet		
				appd	J. BROWN	10/14/99					3		
sheet index		revision sheet											

Pro/E

cage code 22526

PDM: Rev:B

STATUS: Released

Printed: Dec 20, 2010

# Mouser Electronics

Authorized Distributor

Click to View Pricing, Inventory, Delivery & Lifecycle Information:

[FCI / Amphenol:](#)

[51747-10200000C0LF](#) [51747-10300000C0LF](#) [51747-10400000A0LF](#) [51747-10400000C0LF](#) [51747-10400000C0](#)  
[51747-10900000C0LF](#) [51747-11100000A0LF](#) [51747-11100000C0LF](#) [51747-10300000A0LF](#) [51747-10200000A0LF](#)  
[51747-10900000A0LF](#)