

THIS DRAWING IS UNPUBLISHED.

RELEASED FOR PUBLICATION

© COPYRIGHT -

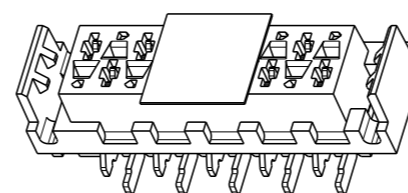
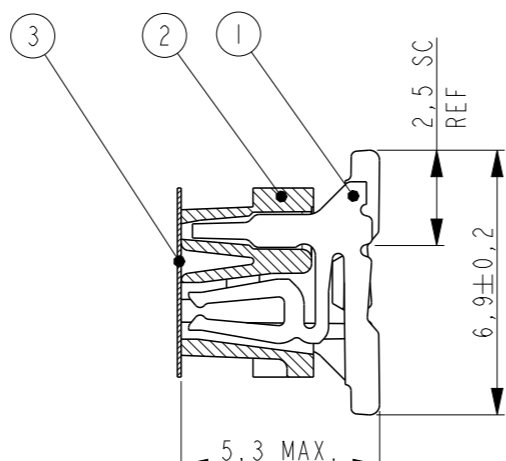
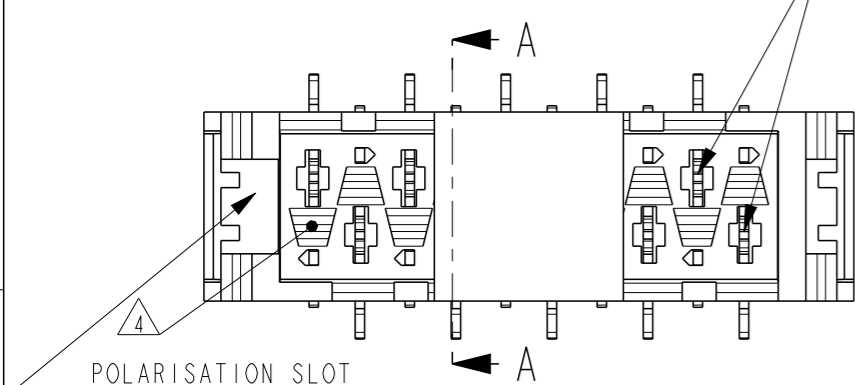
ALL RIGHTS RESERVED.

LOC H DIST -

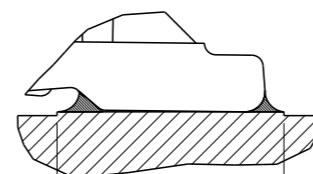
REVISIONS

P	LTR	DESCRIPTION	DATE	DWN	APVD
H3		APPLICATION SPECIFICATION NUMBER ADDED	24JUL2013	KJK	RP
H4		BLISTER MATERIAL CHANGE FOR 16POS	05MAY2015	NV	PS

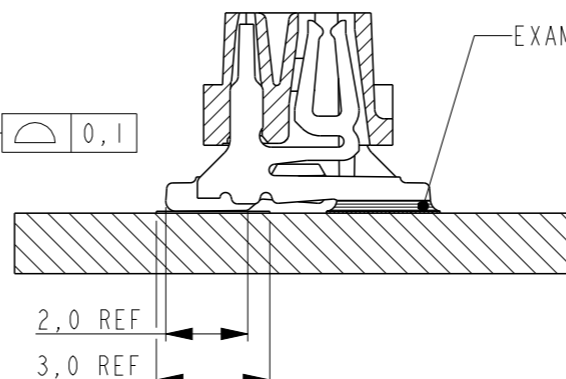
REFERENCE MATING INTERFACE PATTERN:  
1,27 STAGGERED PITCH x 1,5 ROW-DISTANCE.



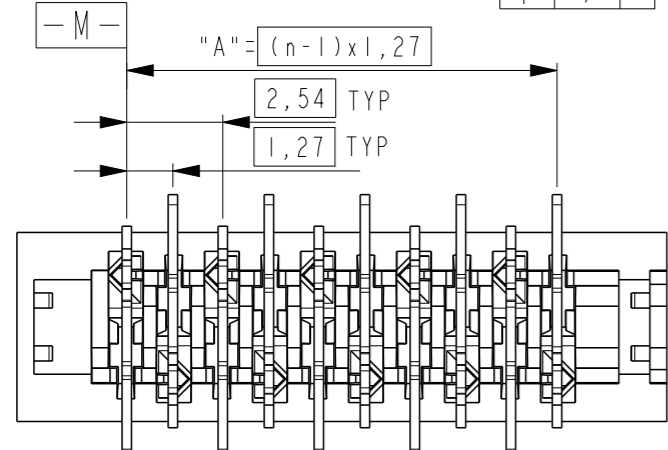
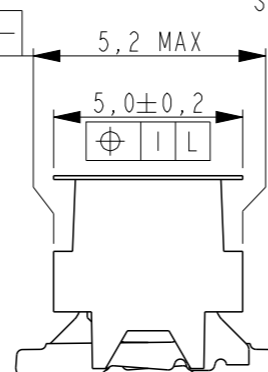
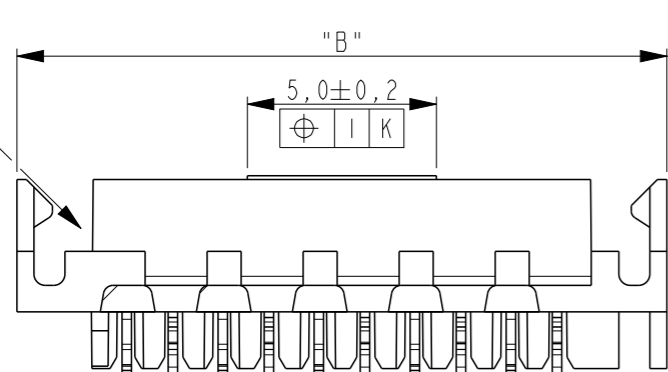
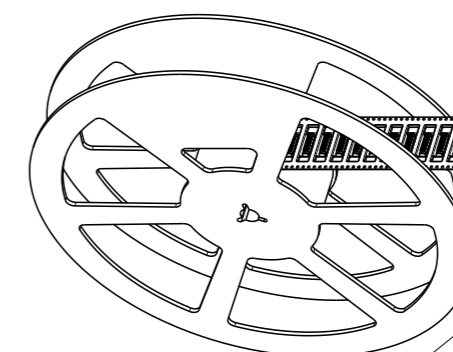
SCALE 3:1



SOLDER DETAIL  
SCALE 10:1

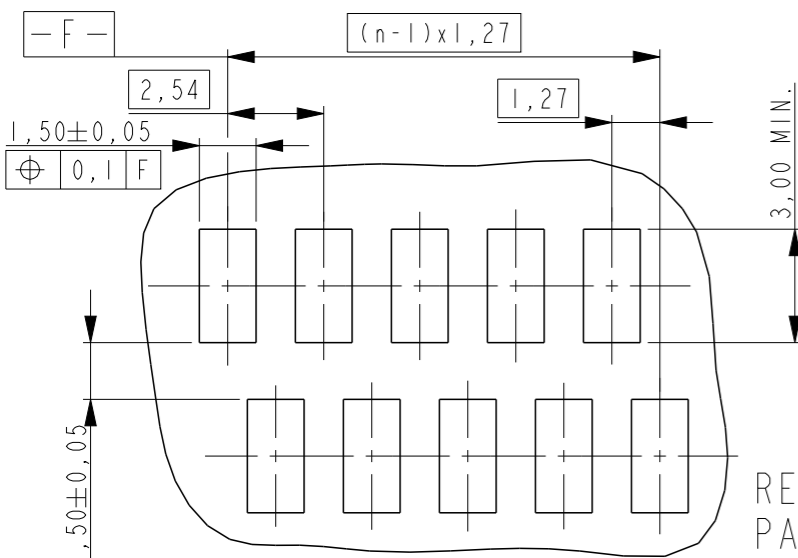


EXAMPLE SOLDER JOINT



NOTES:

- 1 TAPE FOR VACUUM P&P ONLY FOR DASH NUMBERS 7- /8- /9-
- 2 FOR PACKAGING SEE SHEET 2 AND 3
- 3 WITHOUT VACUUM TAPE.
- 4 CORING-OUTS FOR MANUFACTURING PURPOSE ONLY. SHAPE MAY VARY, BUT IS NOT FUNCTIONAL FOR THE APPLICATION.
- 5 SHOWN IS A 10 POSITION CONNECTOR.



Item no.	Description	Material	Finish
3	PICK & PLACE TAPE	KAPTON	AMBER TRANSPARENT
2	FEMALE HOUSING	POLYAMIDE 4/6,GF	RED
1	FEMALE CONTACT	PHOSPHOR BRONZE	TIN OVER NICKEL

THIS DRAWING IS A CONTROLLED DOCUMENT.

DIMENSIONS:	TOLERANCES UNLESS OTHERWISE SPECIFIED:
mm	
0 PLC	±-
1 PLC	±-
2 PLC	±-
3 PLC	±-
4 PLC	±-
ANGLES	±-
FINISH	SEE TABLE

DWN	M. Gosselink
CHK	-
APVD	-
PRODUCT SPEC	108-19052
APPLICATION SPEC	114-13318
WEIGHT	-

TE Connectivity

CONNECTOR, FEMALE-ON-BOARD TOP-ENTRY, SMD, WITH LATCHES, Micro-MatCh

SIZE	CAGE CODE	DRAWING NO	RESTRICTED TO
A3	00779	C-338069	-

CUSTOMER DRAWING SCALE 5:1 SHEET 1 OF 3 REV H4

THIS DRAWING IS UNPUBLISHED.

RELEASED FOR PUBLICATION

© COPYRIGHT -

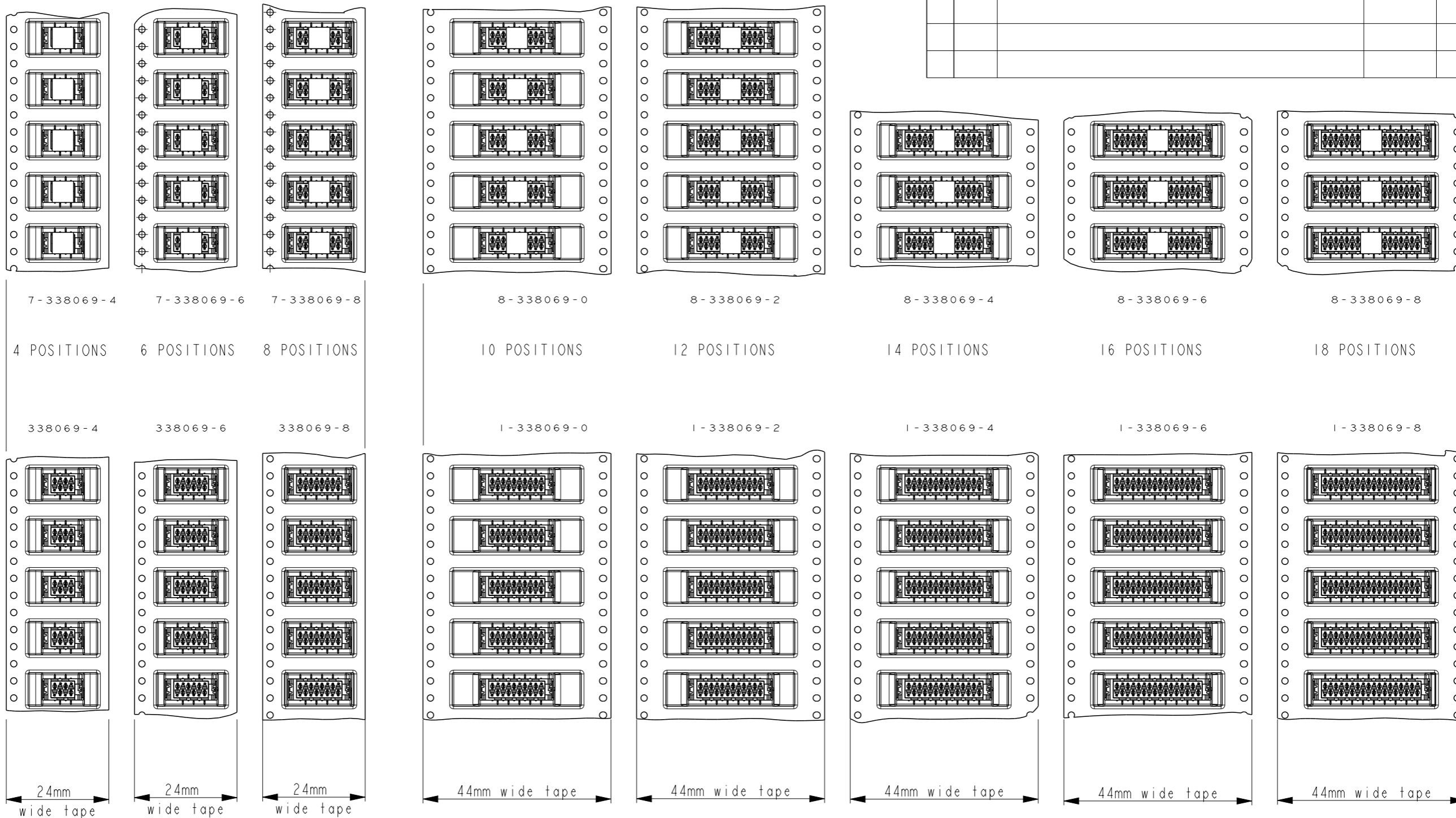
ALL RIGHTS RESERVED.

LOC  
H

DIST  
-

REVISIONS

P	LTR	DESCRIPTION	DATE	DWN	APVD
-	-	SEE SHEET 1	-	-	-



THIS DRAWING IS A CONTROLLED DOCUMENT.

DWN M. Gosselink IIDE01

CHK -

APVD -

PRODUCT SPEC

108-19052

APPLICATION SPEC

114-13318

WEIGHT -

CUSTOMER DRAWING



NAME  
CONNECTOR,  
FEMALE-ON-BOARD TOP-ENTRY,  
SMD, WITH LATCHES, Micro-MaTch

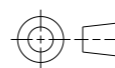
SIZE CAGE CODE DRAWING NO RESTRICTED TO

A3 00779 C-338069 -

SCALE 5:1 SHEET 2 OF 3 REV H4

DIMENSIONS:  
mm

TOLERANCES UNLESS OTHERWISE SPECIFIED:



- 0 PLC ±-
- 1 PLC ±-
- 2 PLC ±-
- 3 PLC ±-
- 4 PLC ±-
- ANGLES ±-
- FINISH -

MATERIAL -

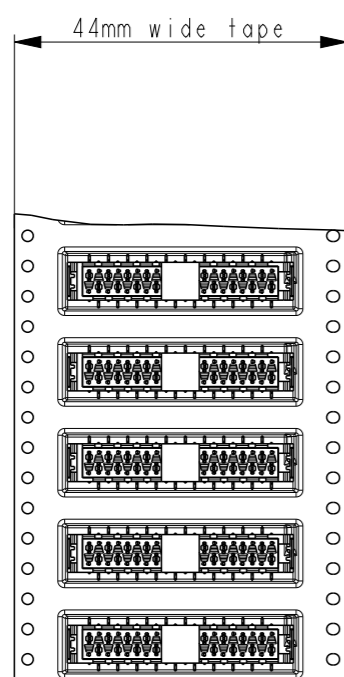
THIS DRAWING IS UNPUBLISHED.

RELEASED FOR PUBLICATION

© COPYRIGHT -

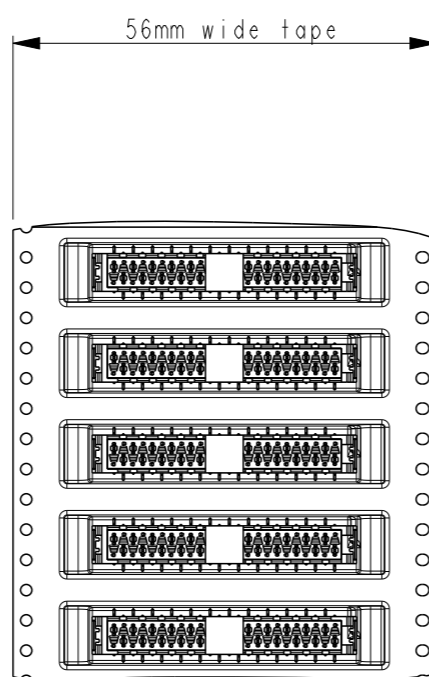
ALL RIGHTS RESERVED.

LOC	DIST	REVISIONS					
H	-	P	LTR	DESCRIPTION	DATE	DWN	APVD
		-		SEE SHEET 1	-	-	-



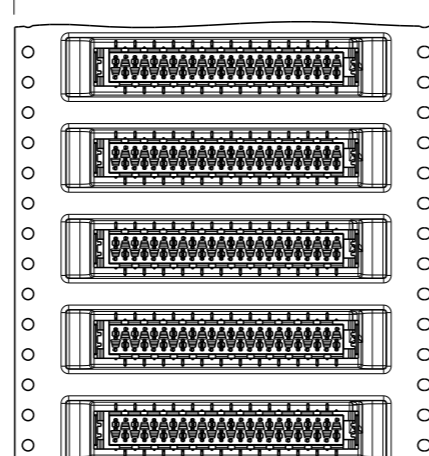
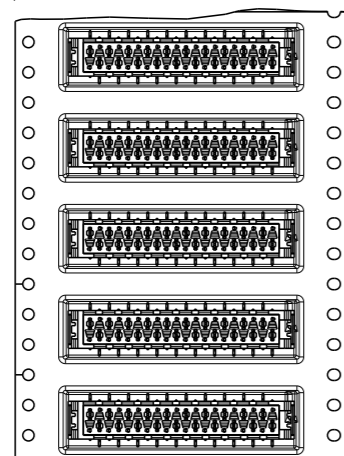
44mm wide tape

9-338069-0  
20 POSITIONS  
2-338069-0

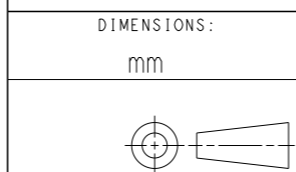


56mm wide tape

9-338069-4  
24 POSITIONS  
2-338069-4



THIS DRAWING IS A CONTROLLED DOCUMENT.



TOLERANCES UNLESS OTHERWISE SPECIFIED:

0 PLC	±-
1 PLC	±-
2 PLC	±-
3 PLC	±-
4 PLC	±-
ANGLES	±-
FINISH	-

MATERIAL -

DWN	M. Gosselink	11DEC01
CHK	-	-
APVD	-	-
PRODUCT SPEC	108-19052	
APPLICATION SPEC	114-13318	
WEIGHT	-	



NAME  
CONNECTOR,  
FEMALE-ON-BOARD TOP-ENTRY,  
SMD, WITH LATCHES, Micro-MaTch

SIZE	CAGE CODE	DRAWING NO	RESTRICTED TO
A3	00779	C-338069	-

CUSTOMER DRAWING SCALE 5:1 SHEET 3 OF 3 REV H4

# Mouser Electronics

Authorized Distributor

Click to View Pricing, Inventory, Delivery & Lifecycle Information:

[TE Connectivity:](#)

[1-338069-0](#)