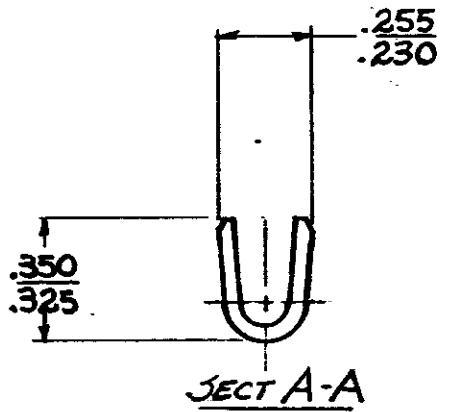
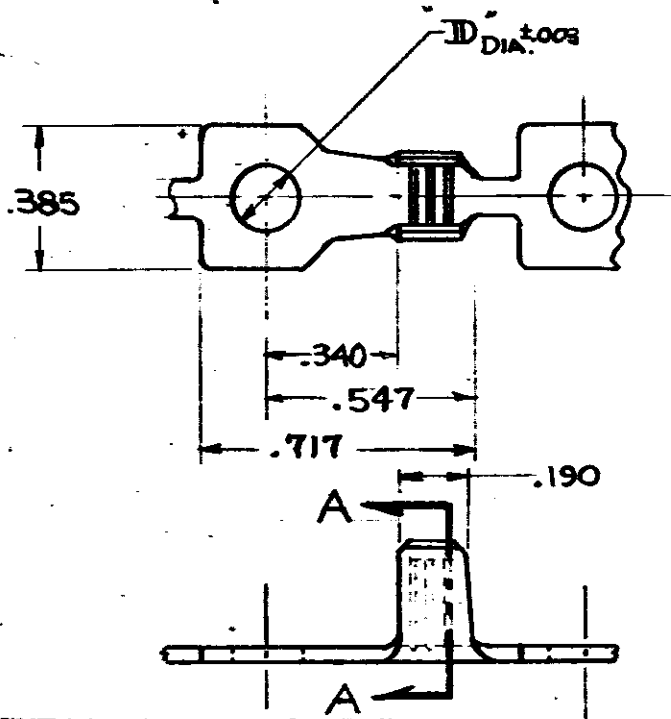


NUMBER
42673

S



CONTINUOUS STRIP ON REELS

WIRE SIZE	STUD #	"D" DIA. ±.003	MATERIAL & FINISH	PART NUMBER
8-10	10	.197	.040 BRASS - NONE	42673-1
"	"	"	.040 - BRASS - TIN	42673-2

DIMENSIONS IN INCHES. DO NOT SCALE PRINT.

©1968 BY AMP INCORPORATED. ALL RIGHTS RESERVED. AMP PRODUCTS COVERED BY PATENTS AND/OR PATENTS PENDING.

**CUSTOMER COPY
REFERENCE ONLY**

MATERIAL AND FINISH



SEE TABLE

CLASS ———— H ————

WIRE — RANGE — INSULATION
SEE TABLE ———— H ————

TYPE ———— H ————

TOLERANCE EXCEPT AS NOTED
= .015 = 1" 0'

SCALE 2x1
LOC. A NO. 42673 REV. D

NAME — RING —

APP. DATE	APP. NAME	CHK. DATE	CHK. NAME
DESIGN 4/2/68	PP Frantz	1-3-68	
DR 7/6/68	PP Frantz	1-3-68	

Mouser Electronics

Authorized Distributor

Click to View Pricing, Inventory, Delivery & Lifecycle Information:

[TE Connectivity:](#)

[42673-2](#)