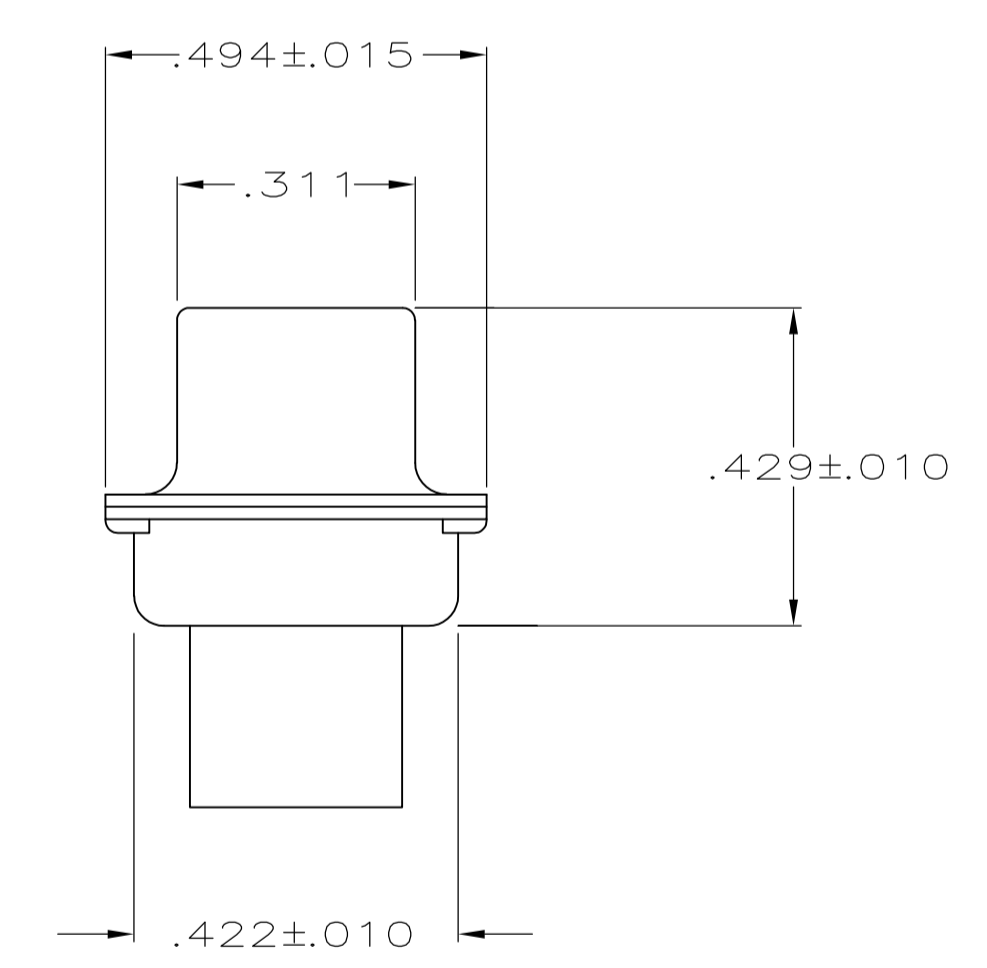
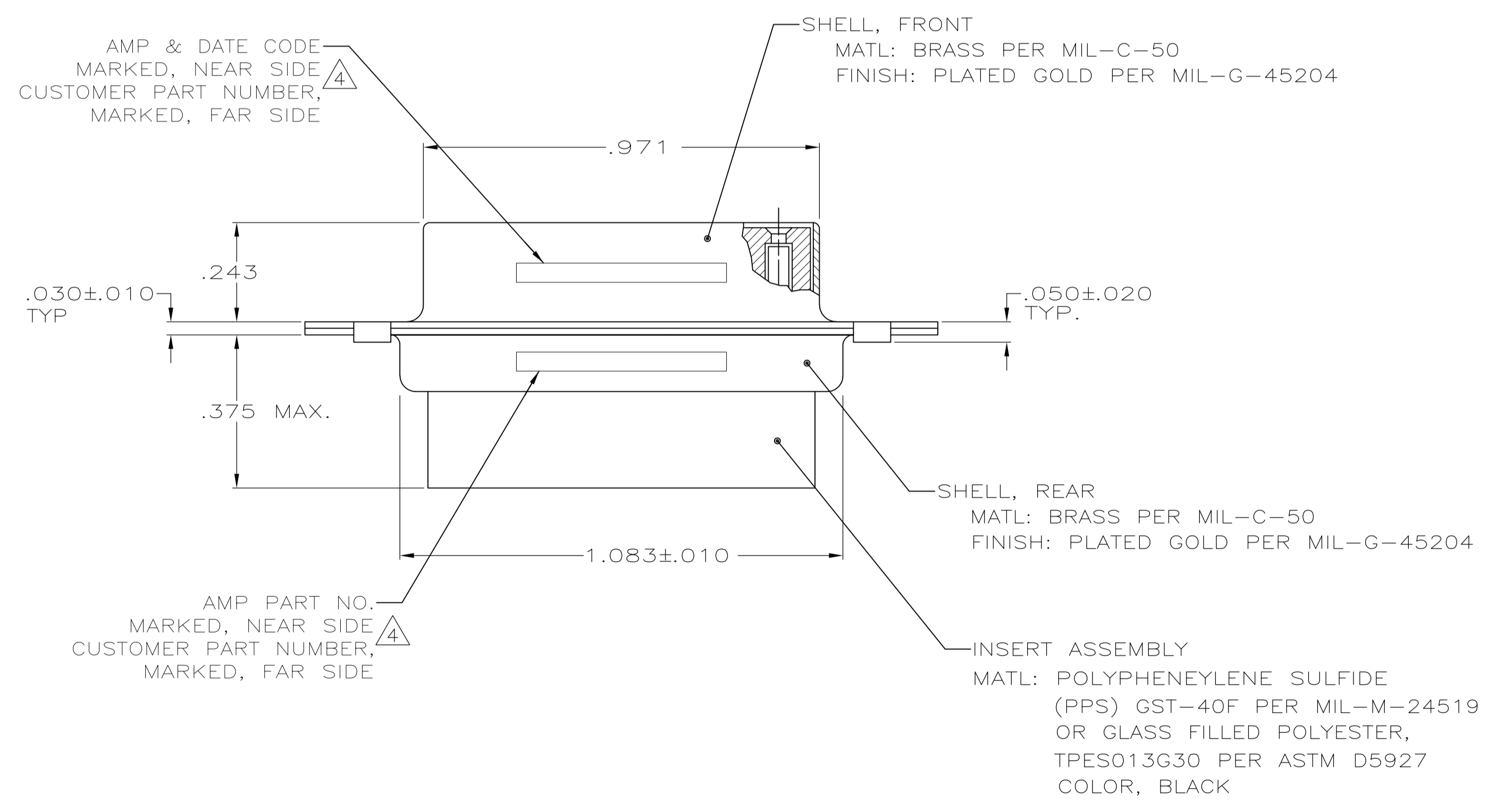
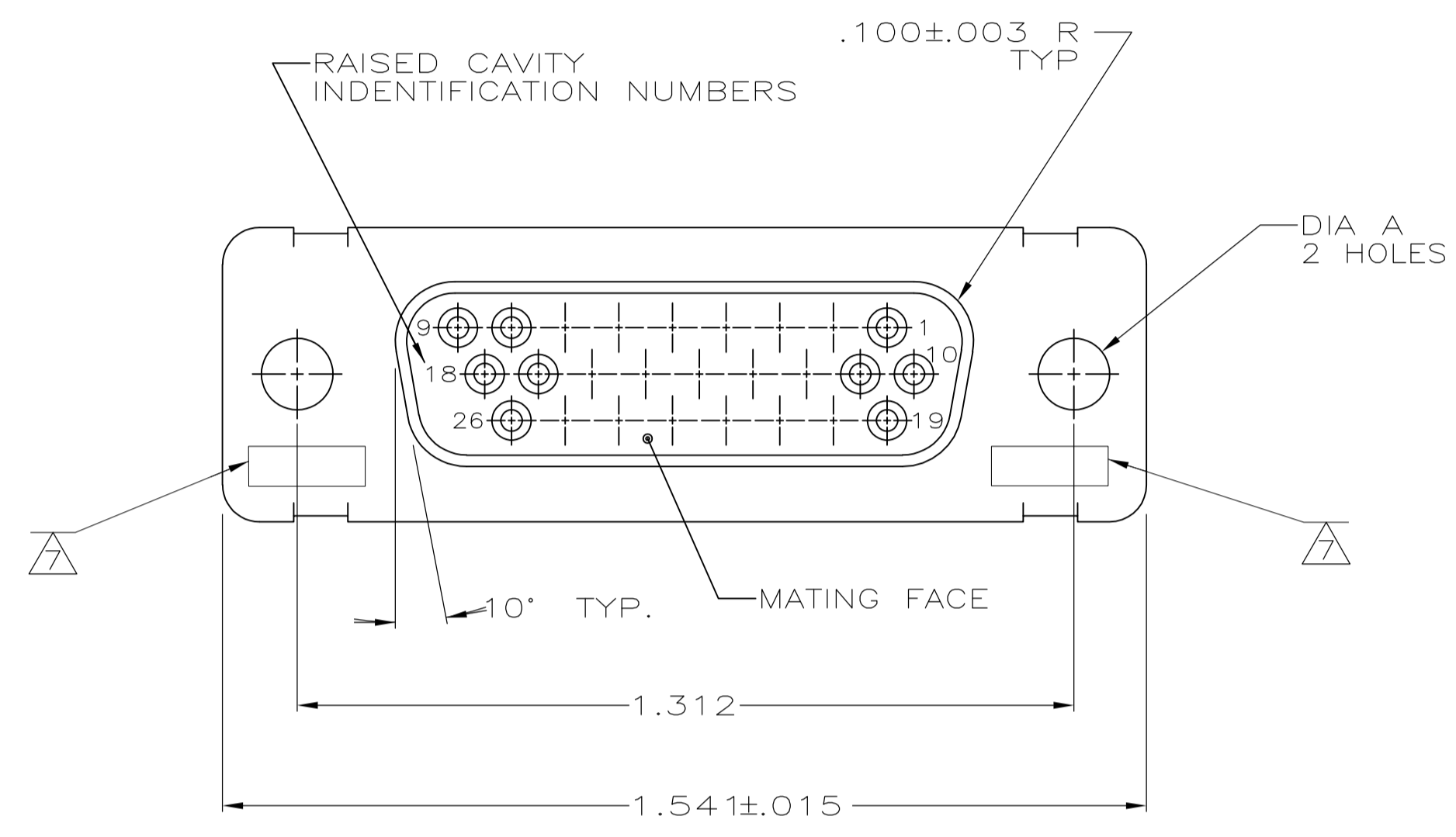


REVISONS		DATE	DWN	APVD
LOC	DIST	DESCRIPTION		
V	REV PER ECO	15-016064	11-9-15	CT CD

- THIS RECEPTACLE WILL MATE WITH ANY PLUG CONNECTOR WITH THE SAME INSERT ARRANGEMENT AS DEFINED BY MS18274-2.
- MAXIMUM WIRE INSULATION USED WITH THIS RCPT. IS .054 DIA.
- Be-Cu RETENTION CLIPS ARE INCLUDED IN INSERTS.
- CUSTOMER PART NUMBER MAY BE SPLIT BETWEEN FRONT AND REAR SHELLS, SAME SIDE.
- INSPECTION REQUIREMENTS PER R4383.
- CONNECTOR SUPPLIED WITH 29 CONTACTS, AMP PART NUMBER 206071-1. INSPECTION REQUIREMENTS PER R4383 WITHOUT TESTS FOR HIGH ALTITUDE DIELECTRIC WITHSTANDING VOLTAGE AS CALLED FOR IN TABLE II SCREENING AND TESTING.
- UL/CSA DESIGNATION STAMPED IN THIS AREA.
- CONNECTOR SUPPLIED WITH 36 CONTACTS, AMP PART NUMBER 206071-1. CLASS B TESTING PER GE DOCUMENT 20025720, KIT WITH CONTACTS 206071-1.
- THESE CONNECTORS ARE QUALIFIED TO GODDARD SPACE FLIGHT CENTER SPECIFICATION S-311-P-4.
- RESTRICTED TO CAE ELECTRONICS ONLY.



AMP P/N 206071-1  
 GSFC P/N G-08-S1  
 (SUPPLIED WITH 206064-6 AND 206064-8 ONLY)

REMARKS	DIA A	MARKED CUSTOMER P/N	MARKED AMP P/N	AMP P/N
9	.120	570566-2	1-206501-0	1-206501-0
8	.120	311P407-2S-B-12	206501-4	206501-9
8	.120	20025720P1026S	206501-8	206501-8
6	.154	1622380-001	206501-7	206501-7
6	.120	R4383P26S	206501-6	206501-6
5	.120	R4383P26S-2	206501-5	206501-5
9	.120	311P407-2S-B-12	206501-4	206501-4
9	.154		206501-3	206501-3
9	.120	R9259P26S	206501-2	206501-2
9	.154	311P407-2S-B-15	206501-1	206501-1

THIS DRAWING IS A CONTROLLED DOCUMENT.

DIMENSIONS: INCHES  
 TOLERANCES UNLESS OTHERWISE SPECIFIED:  
 0 PLC ± -  
 1 PLC ± -  
 2 PLC ± -  
 3 PLC ± .005  
 4 PLC ± -  
 ANGLES ± -

MATERIAL: SEE CALLOUTS  
 FINISH: SEE CALLOUTS

THIS DRAWING IS A CONTROLLED DOCUMENT.  
 P. YEAGER 02OCT2006  
 D. MILLER 05OCT06  
 D. MILLER 05OCT06

**STE** TE Connectivity  
 RECEPTACLE, PIN CONTACTS  
 HI-DENSITY D CONNECTOR  
 SIZE 2, 26 POSN, NONMAGNETIC

SIZE: A1  
 CAGE CODE: 00779  
 DRAWING NO: C=206501  
 WEIGHT: -  
 CUSTOMER DRAWING

SCALE: 4:1  
 SHEET: 1 OF 1  
 REV: V

# Mouser Electronics

Authorized Distributor

Click to View Pricing, Inventory, Delivery & Lifecycle Information:

[TE Connectivity:](#)

[206501-4](#)