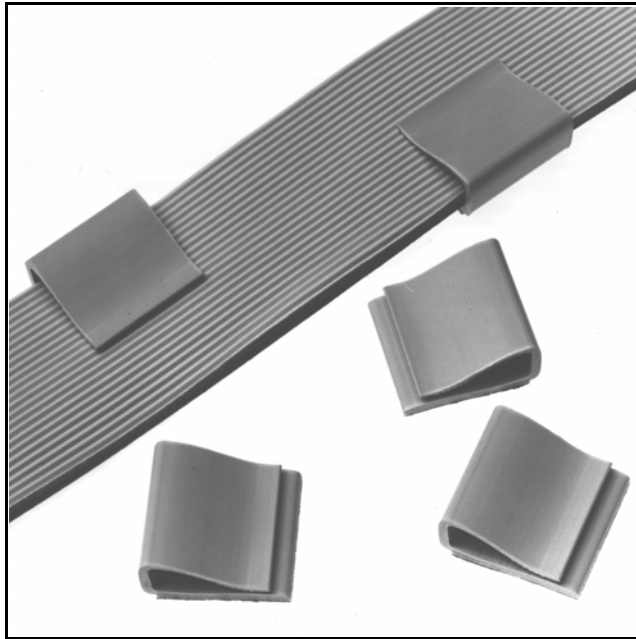


# 3M™ Cable Accessory

## Cable Clamp

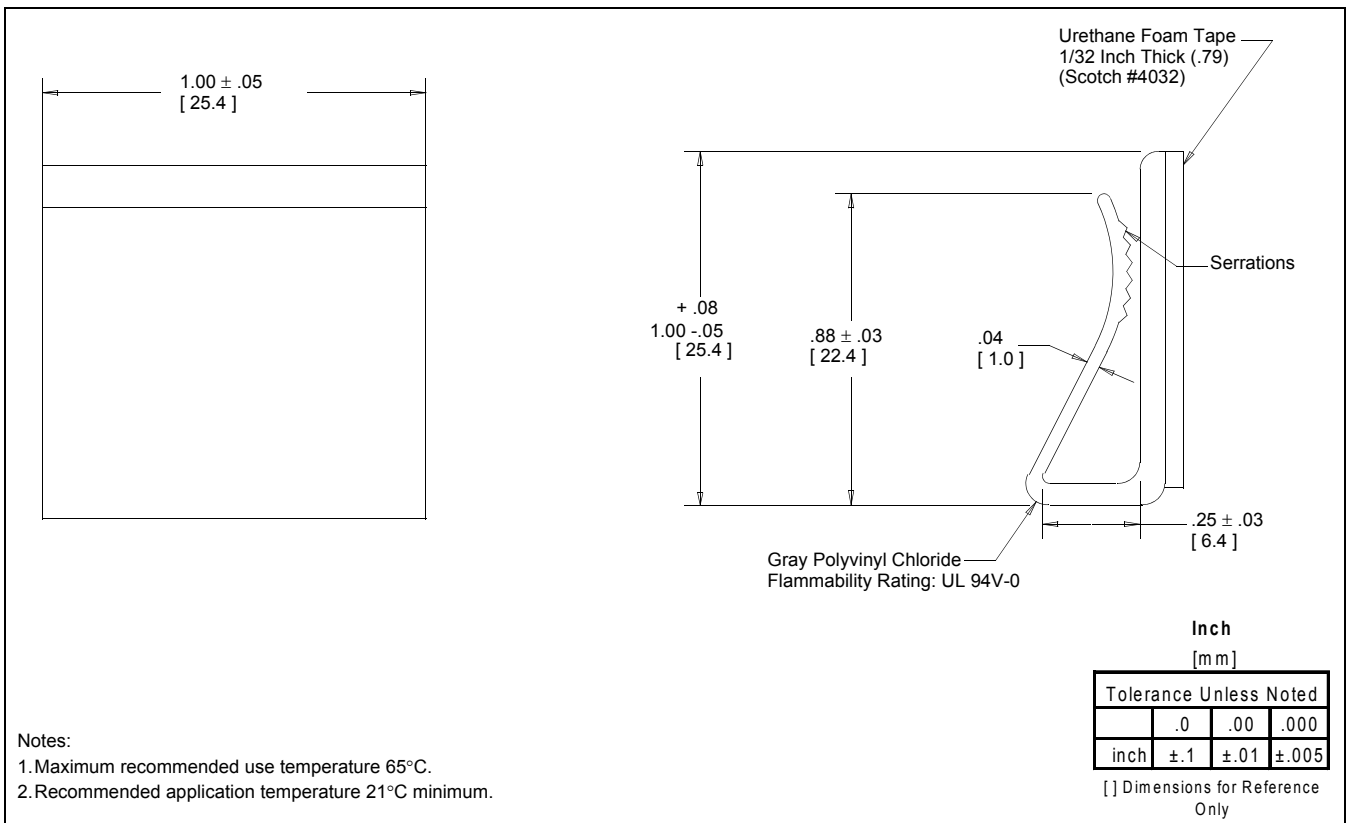
3484 Series



- **Cable Clamp** organizes cable routing by clamping and retaining up to six layers of flat cable.
- RoHS\* compliant

Date Modified: February 8, 2005

TS-0260-08  
Sheet 1 of 1



### Ordering Information

**3484-X000**

- 1 = With Urethane Foam Tape
- 3 = Without Tape

Note: Packaged in 100 per bag or 1000 in box, please specify when ordering.

\*RoHS = Directive 2002/95/EC, Restriction of the Use of Certain Hazardous Substances in Electrical and Electronic Equipment

## Important Notice

All statements, technical information, and recommendations related to 3M's products are based on information believed to be reliable, but the accuracy or completeness is not guaranteed. Before using this product, you must evaluate it and determine if it is suitable for your intended application. You assume all risks and liability associated with such use. Any statements related to the product which are not contained in 3M's current publications, or any contrary statements contained on your purchase order shall have no force or effect unless expressly agreed upon, in writing, by an authorized officer of 3M.

## Warranty; Limited Remedy; Limited Liability.

This product will be free from defects in material and manufacture for a period of 1 year from the time of purchase. **3M MAKES NO OTHER WARRANTIES INCLUDING, BUT NOT LIMITED TO, ANY IMPLIED WARRANTY OF MERCHANTABILITY OR FITNESS FOR A PARTICULAR PURPOSE.** If this product is defective within the warranty period stated above, your exclusive remedy shall be, at 3M's option, to replace or repair the 3M product or refund the purchase price of the 3M product. **Except where prohibited by law, 3M will not be liable for any indirect, special, incidental or consequential loss or damage arising from this 3M product, regardless of the legal theory asserted.**

# 3M

## Electronic Solutions Division

6801 River Place Blvd.  
Austin, TX 78726-9000  
[www.3M.com/esd](http://www.3M.com/esd)



Minimum 10%  
Post-consumer Fiber

Printed in USA.

© 3M 2005

# Mouser Electronics

Authorized Distributor

Click to View Pricing, Inventory, Delivery & Lifecycle Information:

[3M:](#)

[3667/34](#) [3667/50](#) [3667/60](#) [3484-1](#) [CHG-2030-001010-KCP](#) [CHG-2006-001010-KCP](#) [CHG-2008-001010-KCP](#)  
[CHG-2008-001010-KEP](#) [CHG-2016-001010-KCP](#) [CHG-2016-001010-KEP](#) [CHG-2020-001010-KEP](#) [CHG-2026-](#)  
[001010-KCP](#) [CHG-2030-001010-KEP](#) [CHG-2034-001010-KCP](#) [CHG-2034-001010-KEP](#) [CHG-2040-001010-KCP](#)  
[CHG-2040-001010-KEP](#) [CHG-2050-001010-KCP](#) [CHG-2050-001010-KEP](#) [CHG-2072-001010-KCP](#) [CHG-2072-](#)  
[001010-KEP](#) [CHG-2006-001010-KEP](#) [CHG-2010-001010-KCP](#) [CHG-2010-001010-KEP](#) [CHG-2014-001010-KCP](#)  
[CHG-2014-001010-KEP](#) [CHG-2026-001010-KEP](#) [3484-3000](#) [3667/20](#) [3484-1000-BOX](#) [3667/50-100](#) [3667/20-100](#)  
[3667/40-300](#) [3667/20MO](#) [3667/20SV](#) [CHG-2046-001010-KEP](#) [3667/34MO](#) [CHG-2060-001010-KEP](#) [CHG-2020-](#)  
[001010-KCP](#) [3667/10-100](#) [3667/20-300](#) [3667/34-100](#) [3667/16](#) [3667/25-100](#) [3667/25-300](#)