

Flat bracket - BG/F 1 - 1201112

Please be informed that the data shown in this PDF Document is generated from our Online Catalog. Please find the complete data in the user's documentation. Our General Terms of Use for Downloads are valid (<http://phoenixcontact.com/download>)

Flat bracket, for fixing DIN rails 15 mm above the mounting surface, the fixing hole has a diameter of 6.5 mm




Product Features

- The BG/F brackets can be used to fix DIN rails at a distance from the mounting surface



Key Commercial Data

Packing unit	1 pc
Minimum order quantity	10 pc
GTIN	 4 017918 017231
Weight per Piece (excluding packing)	24.6 g
Custom tariff number	73269098
Country of origin	Germany

Technical data

Dimensions

Height	15 mm
Length	37 mm
Width	20 mm

General

Material	Steel
Coating	Galvanized, passivated with a thick layer
Color	silver

Flat bracket - BG/F 1 - 1201112

Classifications

eCl@ss

eCl@ss 4.0	23150301
eCl@ss 4.1	23150301
eCl@ss 5.0	27141143
eCl@ss 5.1	27141143
eCl@ss 6.0	27141143
eCl@ss 7.0	27141143
eCl@ss 8.0	27189234

ETIM

ETIM 2.0	EC000761
ETIM 3.0	EC000761
ETIM 4.0	EC002625
ETIM 5.0	EC001024

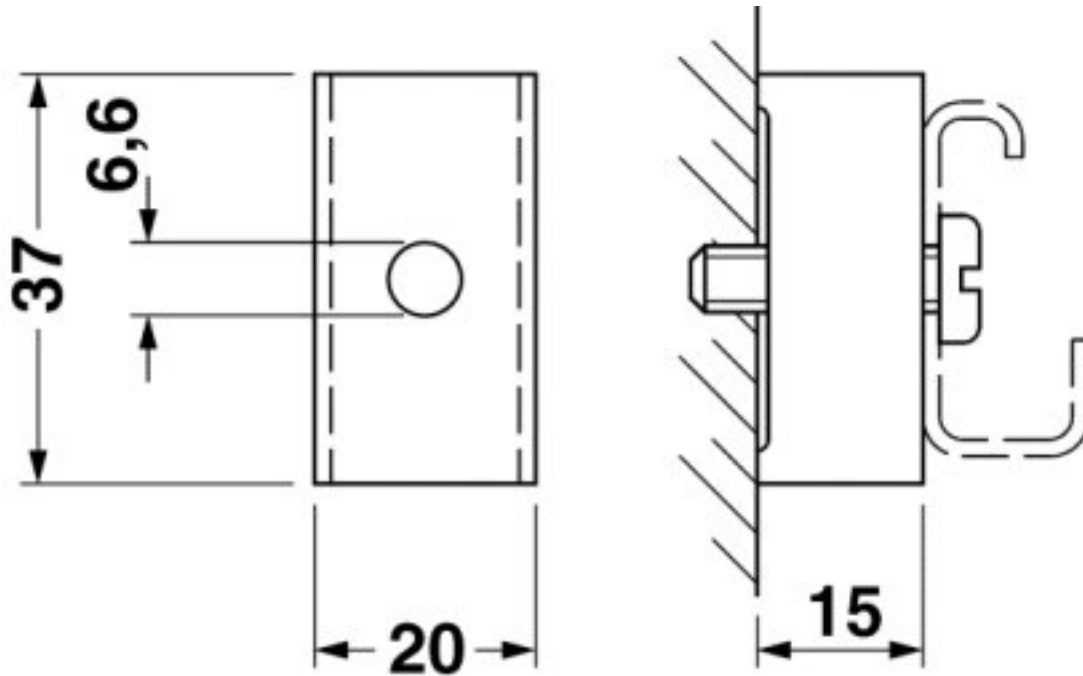
UNSPSC

UNSPSC 6.01	30212109
UNSPSC 7.0901	39121708
UNSPSC 11	39121708
UNSPSC 12.01	39121708
UNSPSC 13.2	39121708

Drawings

Flat bracket - BG/F 1 - 1201112

Dimensional drawing



Mouser Electronics

Authorized Distributor

Click to View Pricing, Inventory, Delivery & Lifecycle Information:

[Phoenix Contact:](#)

[1201112](#)