

TK 3625 – Polystyrene and Polycarbonate – 360 x 254 mm (14.2 x 10.0 in.)

Standard Features

- **Protection Level:** IP66 (NEMA Type: 4X with gray cover, 12K with transparent cover)
- **Technical:** Smooth or Knockout Sidewalls
Gray or Tinted Transparent Cover
Multiple Enclosure Mounting Options
- **UL Recognized**
Enclosure Materials: Polystyrene or Polycarbonate
- **Gasket Material:** Polyurethane
- **Color:** Light Gray
- **Material**
Temperature Range: Polystyrene
-40°C to 70°C (-40°F to 158°F)
Polycarbonate
-40°C to 120°C (-40°F to 248°F)
- **Accessories:** See section below



Smooth Sidewalls

| Ordering Information | Height mm (in) | Polystyrene | | | | Polycarbonate | | | |
|---|------------------|-------------|---------------|-------------|----------|---------------|---------------|-------------|----------|
| | | Cat. No. | Type | Cover Color | Std. Pk. | Cat. No. | Type | Cover Color | Std. Pk. |
| <input type="checkbox"/> Enclosure - low cover | 111 mm (4.37 in) | 110-412 | PS 3625-11-o | gray | 1 | 120-412 | PC 3625-11-o | gray | 1 |
| <input type="checkbox"/> Enclosure - high cover | 165 mm (6.50 in) | 110-912 | PS 3625-16-o | gray | 1 | 120-912 | PC 3625-16-o | gray | 1 |
| <input type="checkbox"/> Enclosure - low cover | 111 mm (4.37 in) | 111-012 | PS 3625-11-to | trans. | 1 | 130-012 | PC 3625-11-to | trans. | 1 |
| <input type="checkbox"/> Enclosure - high cover | 165 mm (6.50 in) | 111-512 | PS 3625-16-to | trans. | 1 | 130-512 | PC 3625-16-to | trans. | 1 |

Sidewalls with Metric Knockouts

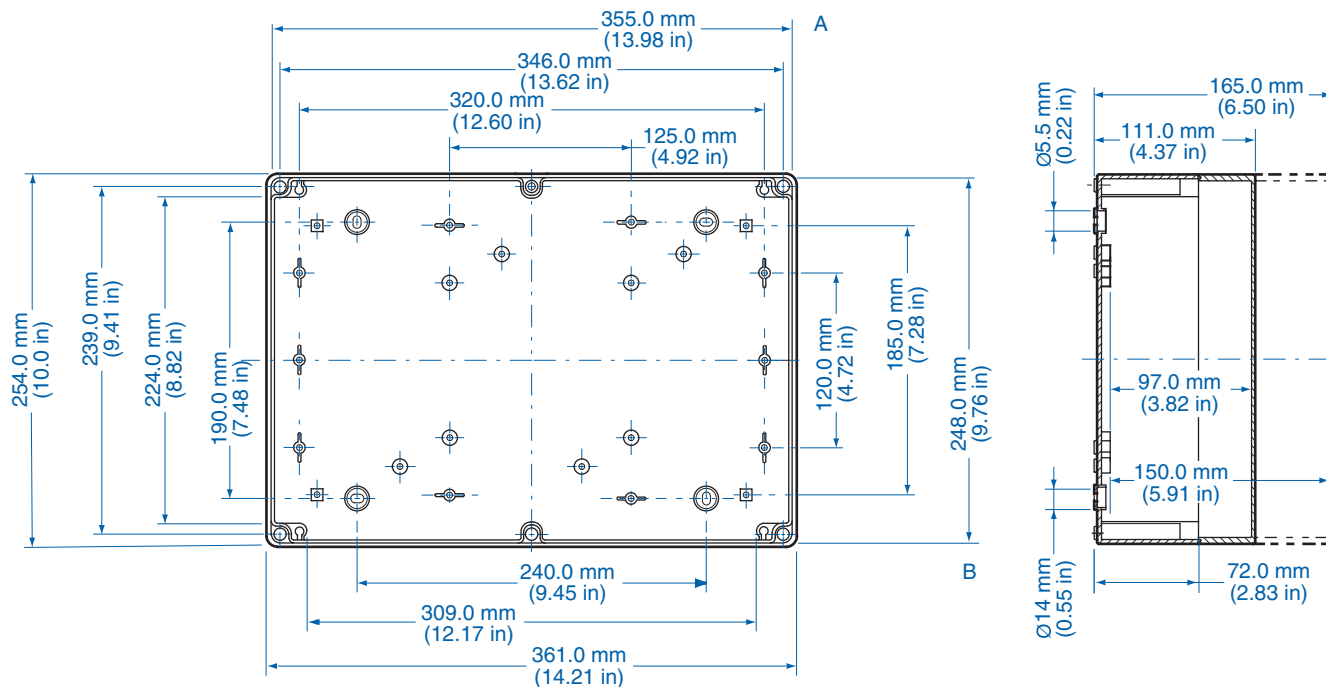
| Ordering Information | Height mm (in) | Polystyrene | | | | Polycarbonate | | | |
|---|------------------|-------------|---------------|-------------|----------|---------------|---------------|-------------|----------|
| | | Cat. No. | Type | Cover Color | Std. Pk. | Cat. No. | Type | Cover Color | Std. Pk. |
| <input type="checkbox"/> Enclosure - low cover | 111 mm (4.37 in) | 105-412 | PS 3625-11-m | gray | 1 | 127-412 | PC 3625-11-m | gray | 1 |
| <input type="checkbox"/> Enclosure - high cover | 165 mm (6.50 in) | 105-912 | PS 3625-16-m | gray | 1 | 127-912 | PC 3625-16-m | gray | 1 |
| <input type="checkbox"/> Enclosure - low cover | 111 mm (4.37 in) | 106-012 | PS 3625-11-tm | trans. | 1 | 137-012 | PC 3625-11-tm | trans. | 1 |
| <input type="checkbox"/> Enclosure - high cover | 165 mm (6.50 in) | 106-512 | PS 3625-16-tm | trans. | 1 | 137-512 | PC 3625-16-tm | trans. | 1 |

Accessories

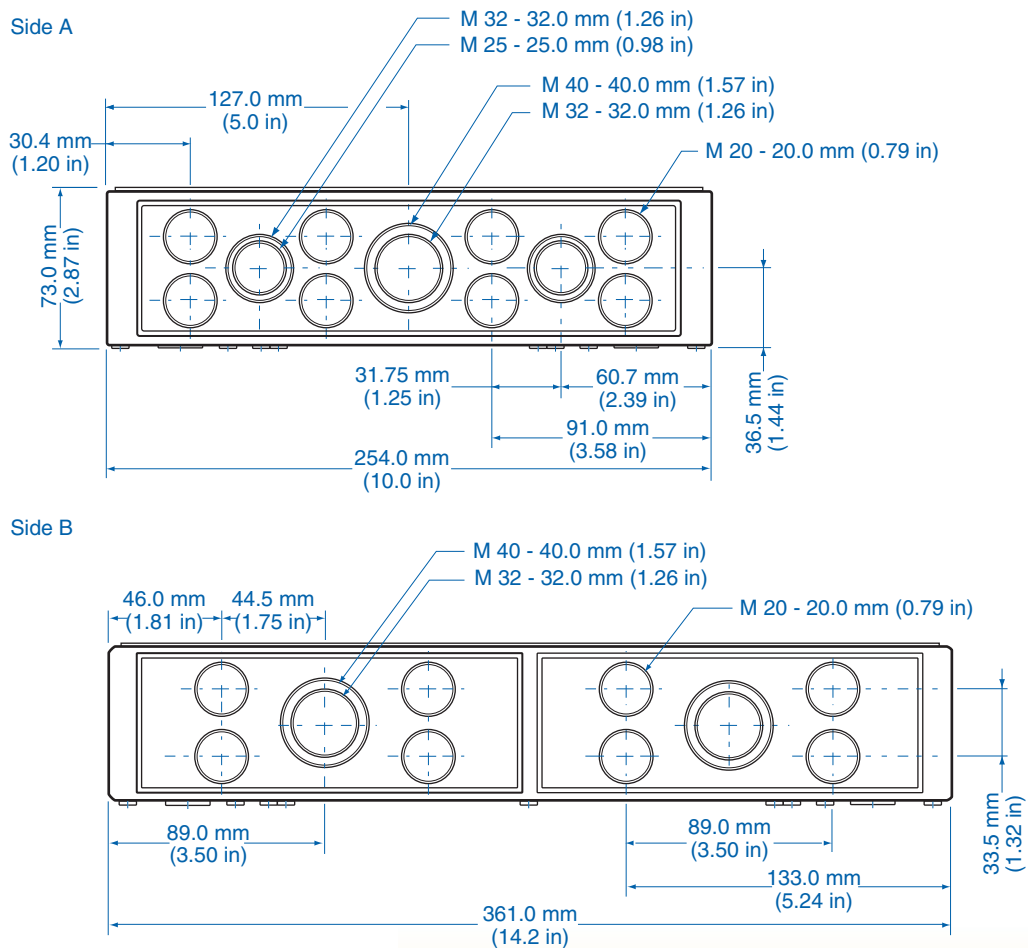
| Ordering Information | Cat. No. | Type | Std. Pk. |
|--------------------------|----------|------------|----------|
| Mounting Plate (plastic) | 195-012 | TKMPI-3625 | 1 |
| Mounting Plate (steel) | 197-012 | TKMPS-3625 | 1 |
| DIN Rail TS35-336mm | 198-336 | TS 35/ 336 | 1 |
| Hinge Kit Set | 190-005 | HK2 | 1 |
| Mounting Tab Kit | 194-001 | MT1 | 1 |

Please refer to pages 149-152 for additional accessories and detailed information.

Dimensions



Knockout Positions



Mouser Electronics

Authorized Distributor

Click to View Pricing, Inventory, Delivery & Lifecycle Information:

[Altech:](#)

[110-412](#) [110-912](#) [111-012](#) [111-512](#) [120-412](#) [120-912](#) [130-012](#) [106-512](#) [105-912](#) [127-412](#) [106-012](#) [137-512](#)
[105-412](#) [127-912](#) [137-012](#)