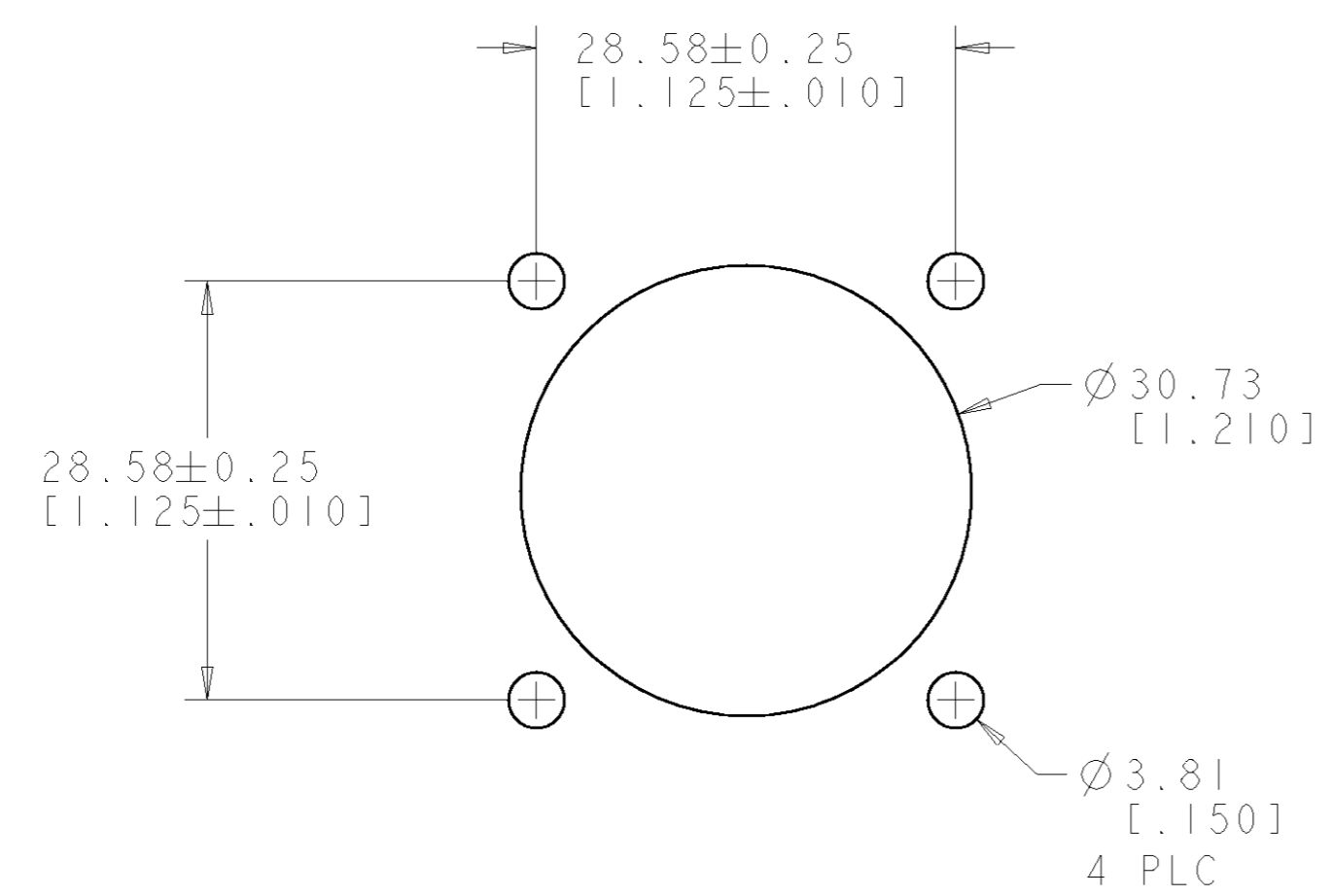
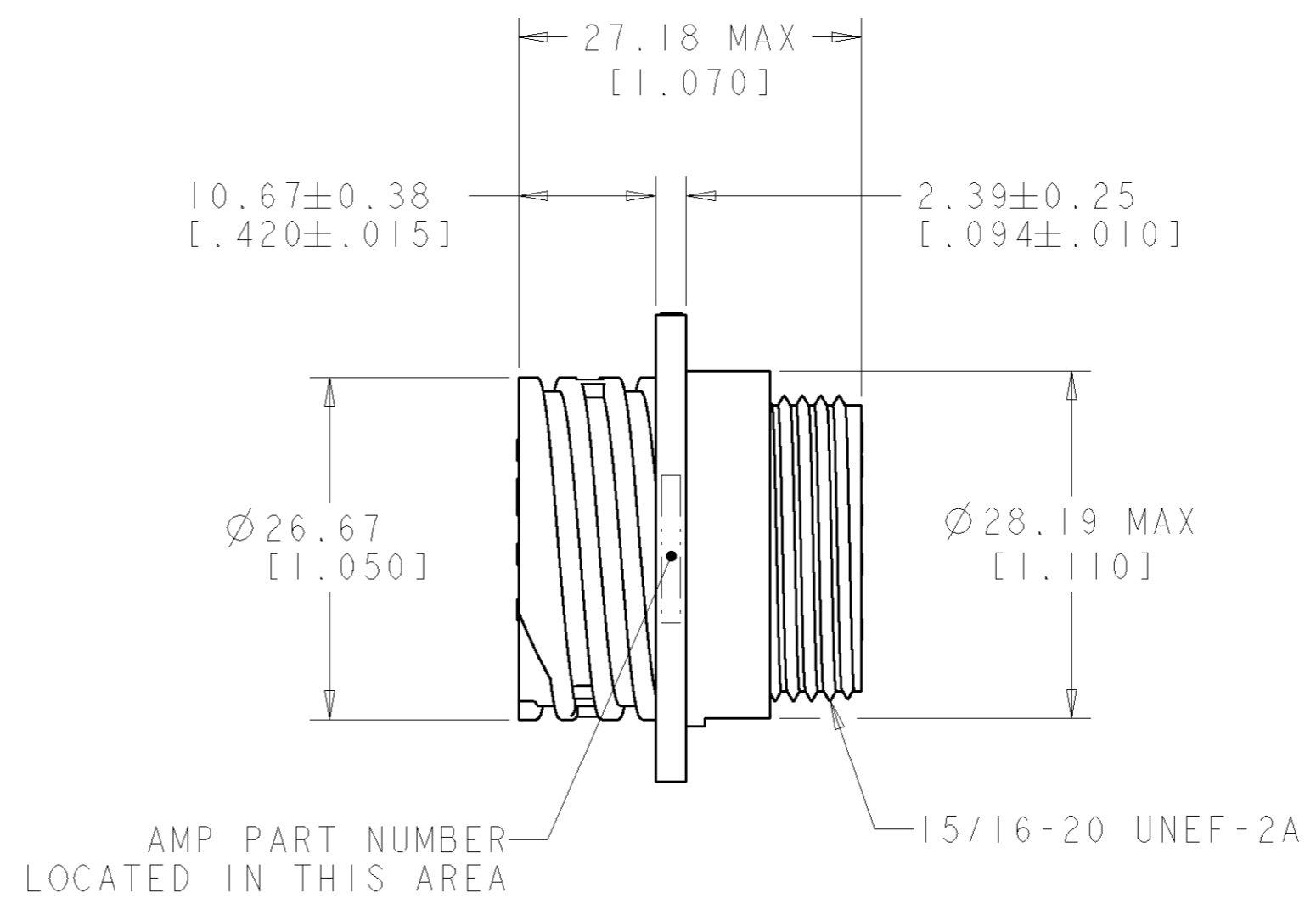
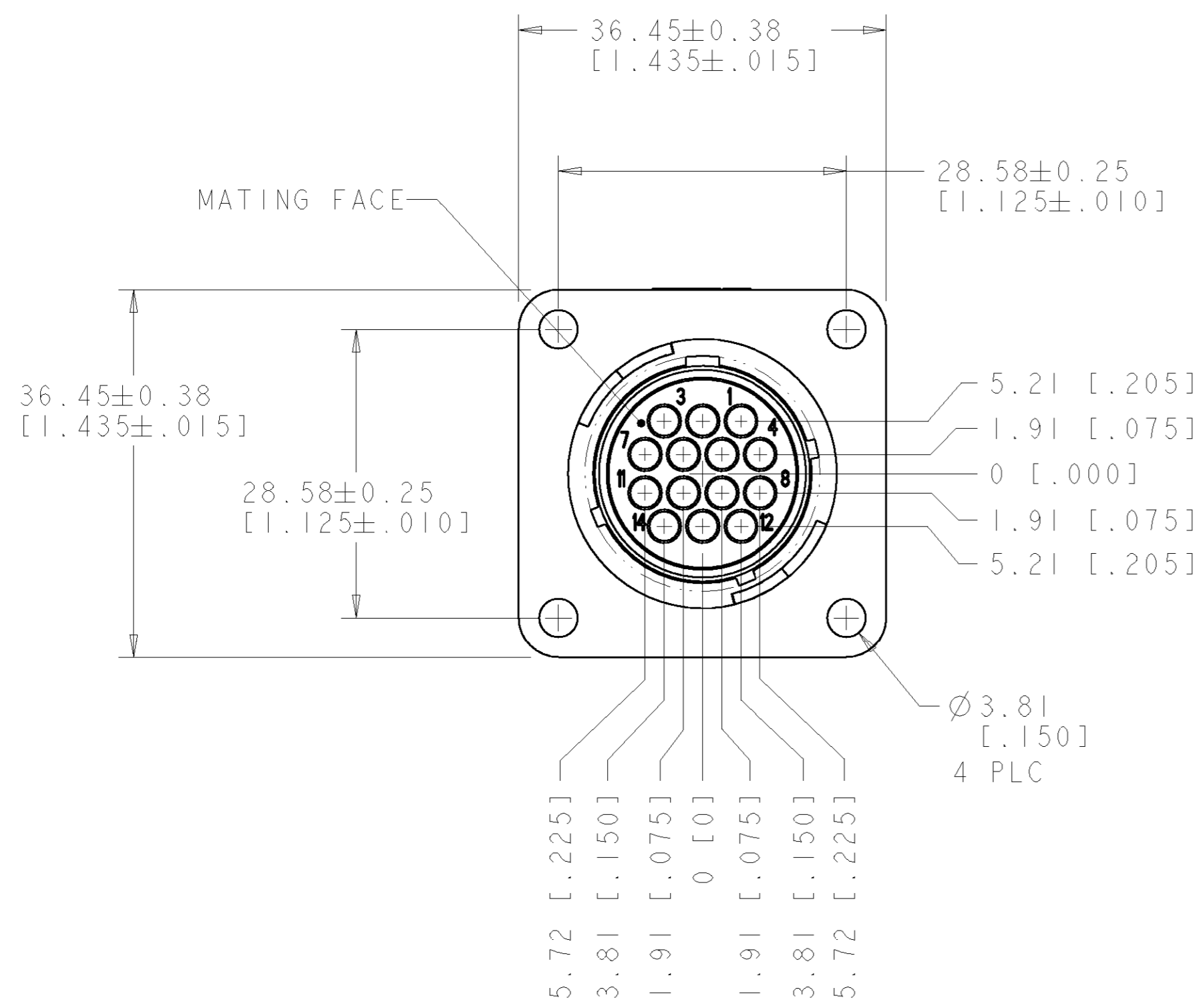


THIS DRAWING IS UNPUBLISHED. RELEASED FOR PUBLICATION
 BY AMP INCORPORATED. ALL RIGHTS RESERVED.

LOC	DIST	REVISIONS					
FT	0	P	LTR	DESCRIPTION	DATE	DWN	APVD
		O		RELEASED	31MAR100	SW	-
		A		REVISED EC 0G3B-0097-00	20APR00	SW	MC
		B		REVISED EC 0G3B-0280-00	01JUN2000	SW	MC



- 1. NYLON, BLACK.
- 2. HOUSING WILL ACCEPT 14 MULTIMATE SOCKET CONTACTS.
- 3. CAVITY IDENTIFICATION ON FRONT AND REAR FACE.

RECOMMENDED PANEL CUTOUT
 3.18[.125] MAX PANEL THICKNESS

796437-2
 PART NUMBER

THIS DRAWING IS A CONTROLLED DOCUMENT FOR AMP INCORPORATED. IT IS SUBJECT TO CHANGE AND THE CONTROLLING ENGINEERING ORGANIZATION SHOULD BE CONTACTED FOR THE LATEST REVISION.		DWN S.WELDON 31MART00 CHK M.CHACKO 31MART00 APVD M.CHACKO 31MART00	AMP Incorporated Harrisburg, PA 17105-3608
DIMENSIONS: mm[INCHES]	TOLERANCES UNLESS OTHERWISE SPECIFIED: 0 PLC ± 1 PLC ±0.1 2 PLC ±0.02 3 PLC ±0.005 4 PLC ±0.0005 ANGLES ±	PRODUCT SPEC APPLICATION SPEC WEIGHT	NAME RECEPTACLE HOUSING, SIZE 17-14, REVERSE SEX, CPC SIZE A2 CAGE CODE 00779 DRAWING NO. 796437 RESTRICTED TO -
MATERIAL - FINISH -	CUSTOMER DRAWING	SCALE 2:1 SHEET 1 OF 1 REV B	

Mouser Electronics

Authorized Distributor

Click to View Pricing, Inventory, Delivery & Lifecycle Information:

[TE Connectivity:](#)

[796437-2](#)