

Product Specification

Cage EMI / Dust Plug for Small Form-factor Pluggable (SFP) Applications

V23818-S5-B1

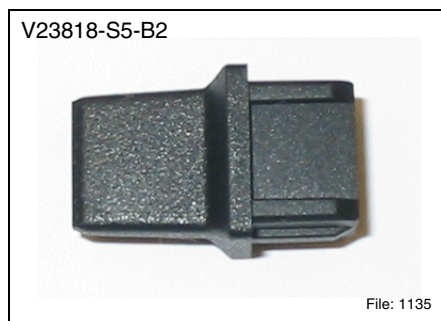
V23818-S5-B2

DESIGN BENEFITS

- SFP MSA compliant¹⁾
- Prevents internal system component contamination
- Maintains system airflow requirements
- Silicon based material for
 - simplified “blind” insertion
 - improved retention in high vibration environments
 - secure fit in all cage designs
 - extended temperature performance
- Improves system EMI performance (V23818-S5-B1)

APPLICATIONS

- For use with Finisar V23838-S5-N1 / -N1-BB SFP cages
- Multi-port switches
- Unclean environments
- Any unused SFP ports



PRODUCT SELECTION

Part Number	Application
V23818-S5-B1	EMI / Dust Plug
V23818-S5-B2	Dust Plug

Notes:

1) Current MSA documentation can be found at <http://www.sffcommittee.org/ie>.

Package Outlines

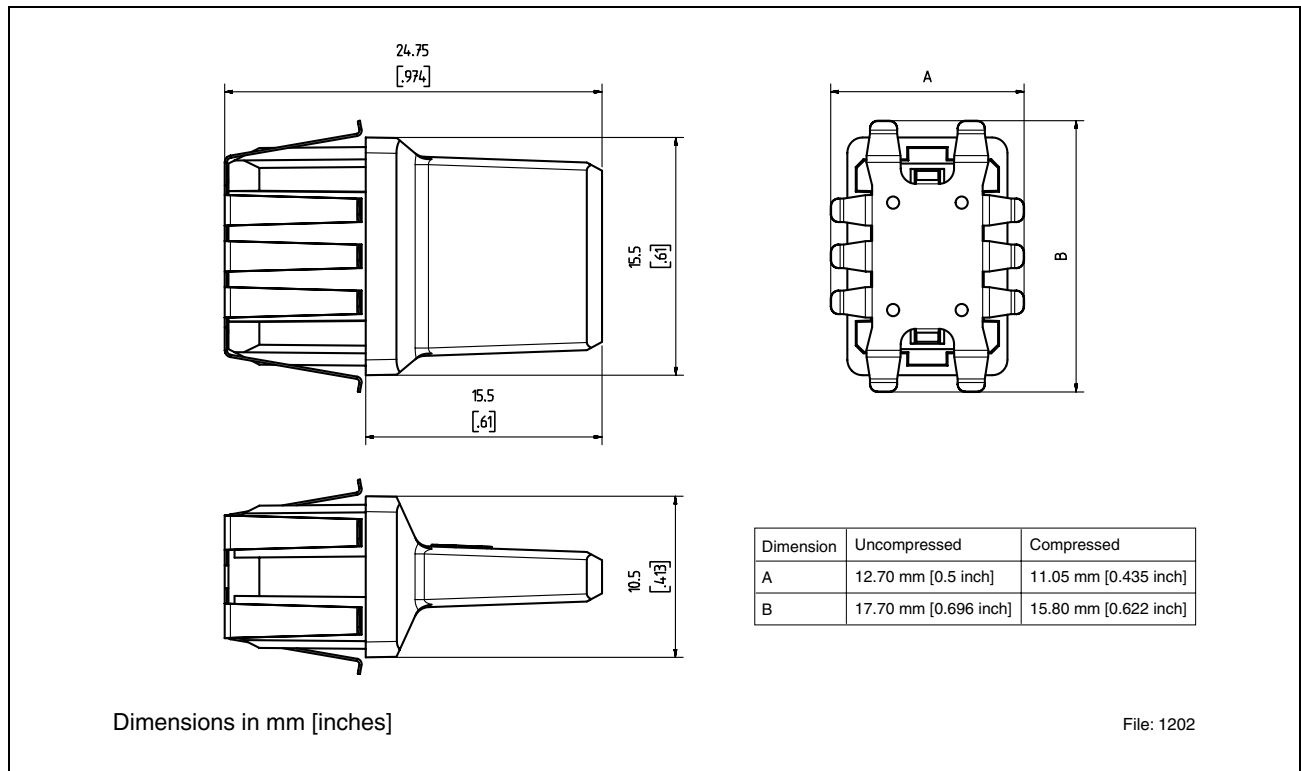


Figure 1 V23818-S5-B1

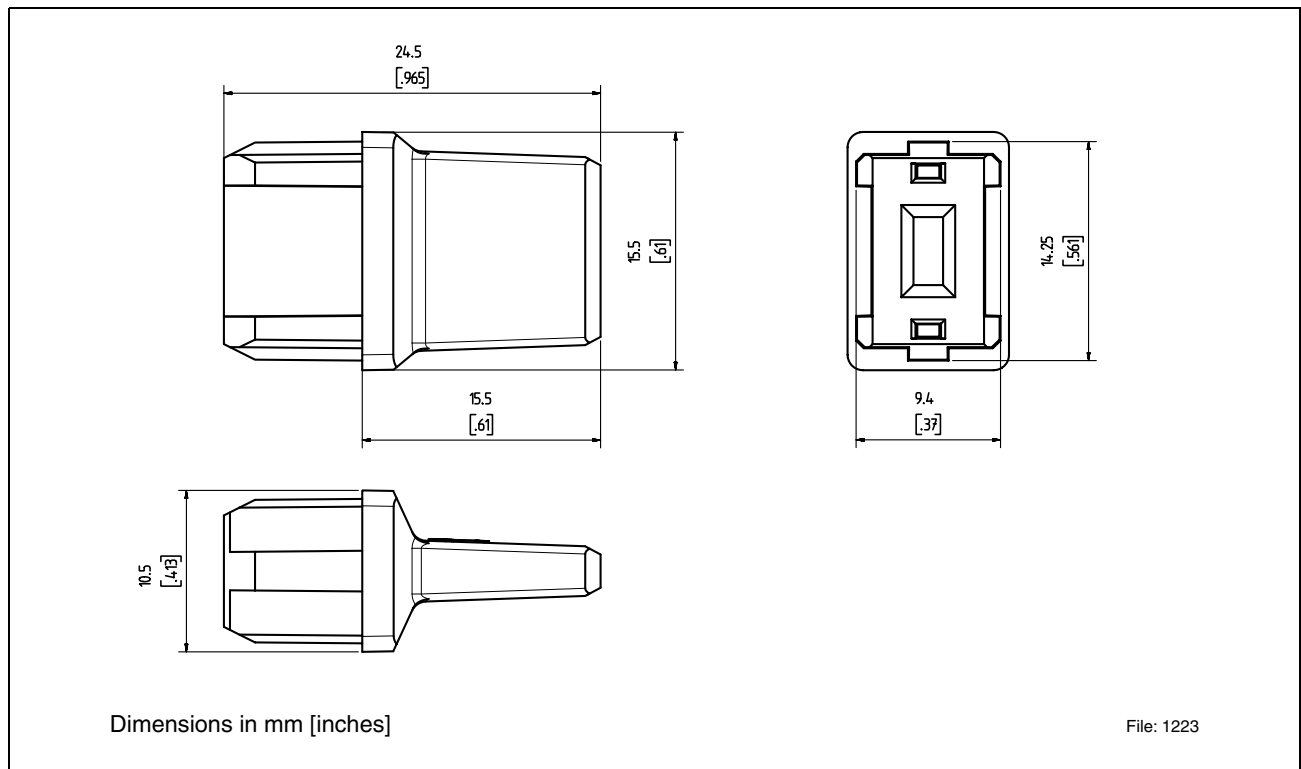


Figure 2 V23818-S5-B2

Revision History:	March 17, 2004	Rev. C
Previous Version:	May 09, 2003	
Page	Subjects (major changes since last revision)	
	Company name has been changed Document's layout has been changed December 2004	

For More Information

Finisar Corporation
1308 Moffett Park Drive
Sunnyvale, CA 94089-1133
Tel. 1-408-548-1000
Fax 1-408-541-6138
sales@finisar.com
www.finisar.com

Mouser Electronics

Authorized Distributor

Click to View Pricing, Inventory, Delivery & Lifecycle Information:

Finisar:

[V23818-S5-B1](#)