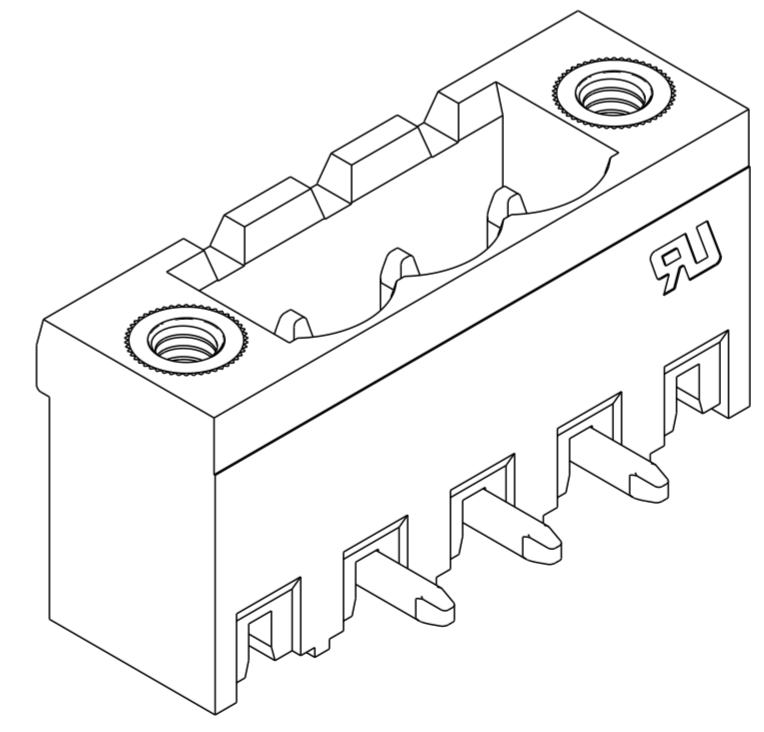
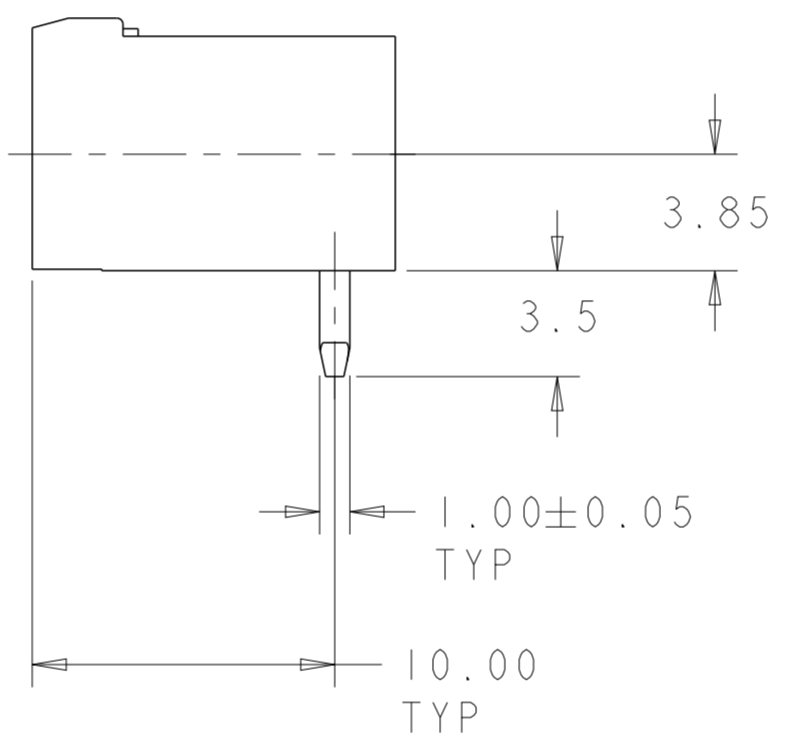
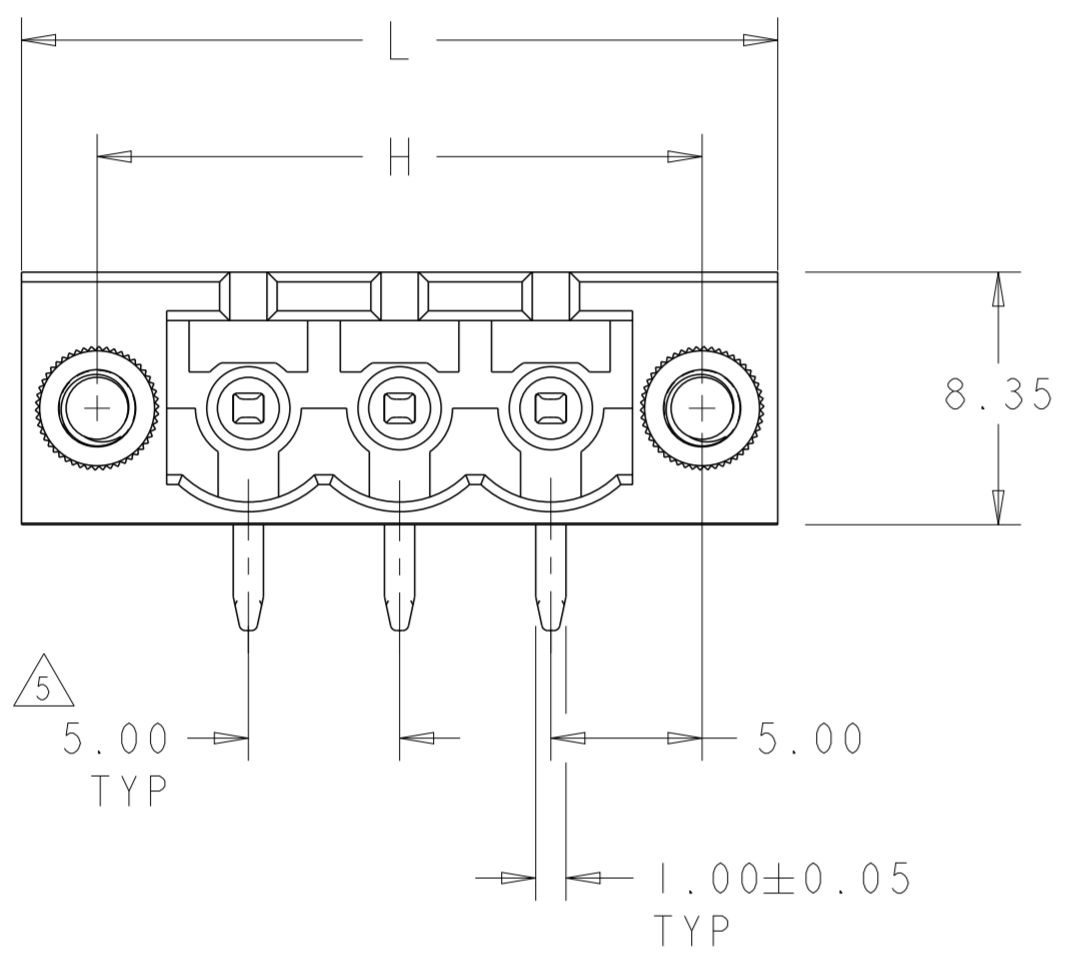
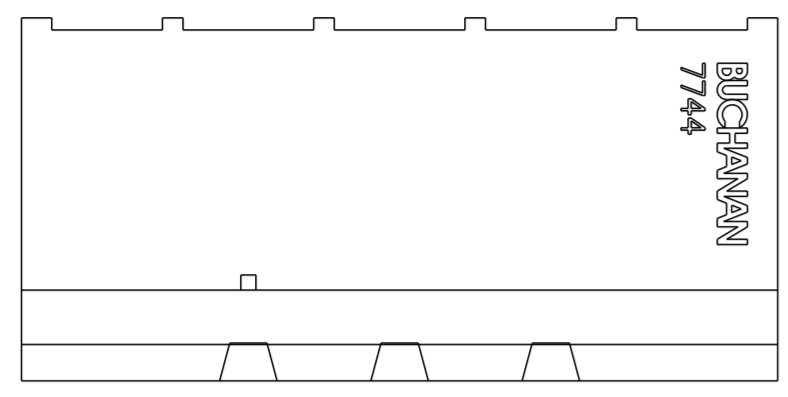


THIS DRAWING IS UNPUBLISHED. RELEASED FOR PUBLICATION 20
 © COPYRIGHT 20 BY - ALL RIGHTS RESERVED.

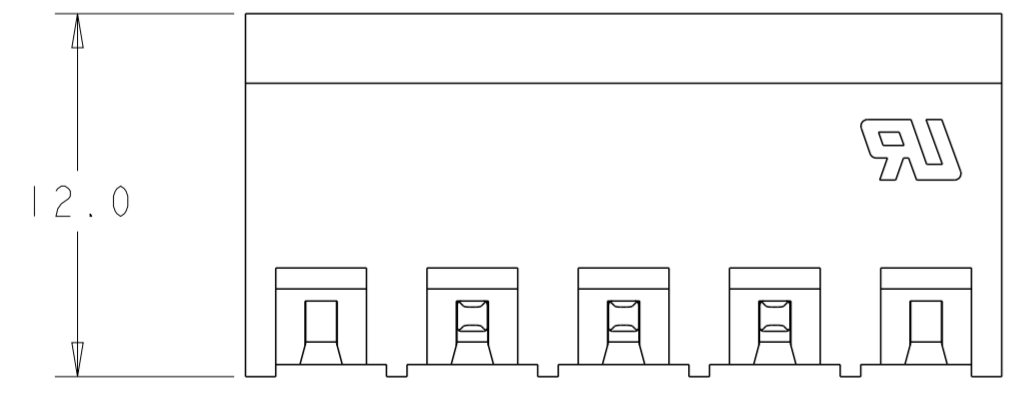
REVISIONS				
P	LTR	DESCRIPTION	DATE	DWN APVD
	D1	New pn added for 9 and 10 pos.	27JAN2015	PS JK



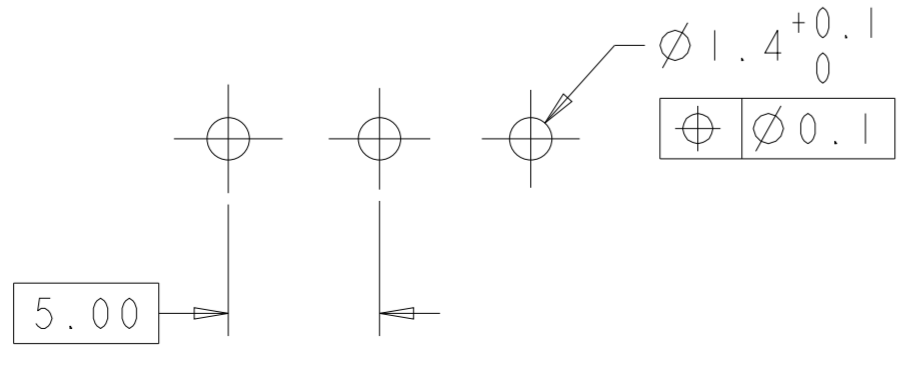
796864-3 AS SHOWN

NOTES:

- 1. MATERIALS AND FINISH:
 HOUSING: PA 6-6, UL 94-V0, COLOR: GREEN.
 TERMINAL: PHOSPHOR BRONZE, TIN PLATED.
- 2. SUITABLE FOR 1.6 TO 2.4mm PC BOARD THICKNESS.
- 3. RECOGNIZED UNDER THE COMPONENT PROGRAM OF UNDERWRITERS LABORATORIES INC. FILE No. E60677.
- 4. IMQ CERTIFICATE WITH SURVEILLANCE ON CONFORMITY WITH IEC 998-1/998-2-1.
- 5. NOT CUMULATIVE TOLERANCE.
- 6. LOGO SIZE AND LOCATION APPROXIMATELY AS SHOWN.
- 7. OPERATING TEMPERATURE RANGE -40°C TO +110°C
- 8. ELECTRICAL
 WIRE RANGE : 30 - 12 AWG
 MAX. VOLTAGE : 300 V
 MAX CURRENT : 15 A
 CONTACT RESISTANCE : <15 m Ohm
 INSULATION RESISTANCE : > 1000 M Ohm (500V DC)



RECOMMENDED PC BOARD LAYOUT



60.0	55.0	10	1-796864-0
55.0	50.0	9	796864-9
50.0	45.0	8	796864-8
45.0	40.0	7	796864-7
40.0	35.0	6	796864-6
35.0	30.0	5	796864-5
30.0	25.0	4	796864-4
25.0	20.0	3	796864-3
20.0	15.0	2	796864-2
L	H	NO. OF POSN	PART NUMBER

DIMENSIONS:		TOLERANCES UNLESS OTHERWISE SPECIFIED:		DWN S. WELDON 09FEB2001		CHK D. BIEVENOUR 09FEB2001		APVD D. BIEVENOUR 09FEB2001		NAME	
mm		0 PLC	±	09FEB2001	09FEB2001	STE TE Connectivity					
		1 PLC	±0.2	PRODUCT SPEC		TERMINAL BLOCK HEADER, 90 DEG, WITH LOCKING SCREW FLANGE, PITCH 5.0mm					
		2 PLC	±0.15	APPLICATION SPEC		SIZE		CAGE CODE		DRAWING NO	
		3 PLC	±	WEIGHT		A200779		C-796864		RESTRICTED TO	
		4 PLC	±	Customer Drawing		SCALE		SHEET		OF	
		ANGLES	±2°			4:1		1		REV D1	
		FINISH									

Mouser Electronics

Authorized Distributor

Click to View Pricing, Inventory, Delivery & Lifecycle Information:

[TE Connectivity:](#)

[796864-7](#)