

4

3

2

1

THIS DRAWING IS UNPUBLISHED. RELEASED FOR PUBLICATION 20
© COPYRIGHT 20 BY TYCO ELECTRONICS CORPORATION. ALL RIGHTS RESERVED.

LOC	DIST	REVISIONS			
P	LTR	DESCRIPTION	DATE	DWN	APVD
DS	-	A	RELEASED	02.MAR'09	SC JK

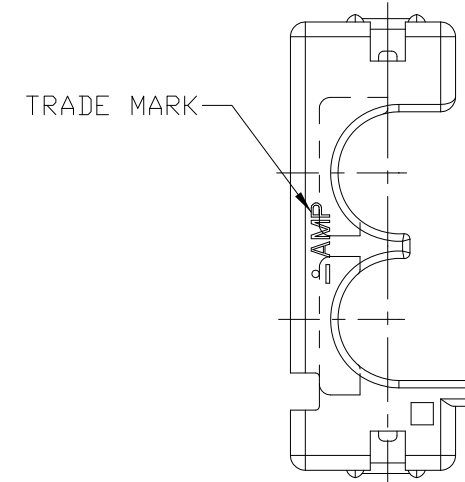
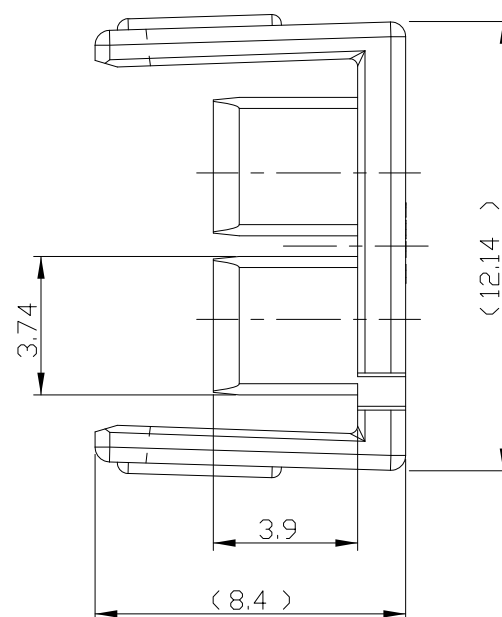
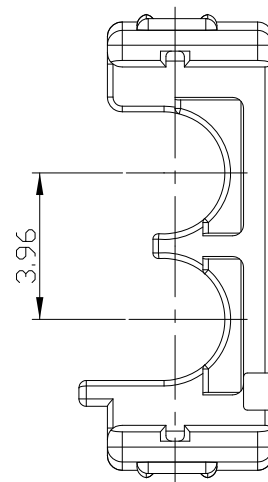
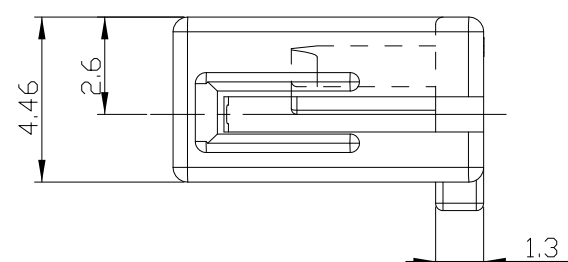


TABLE 1.

PLUG HOUSING		2	2005247-□
		4	□-368575-□
CAP HOUSING	P/M	2	2005249-□
		4	□-368589-□
	F/H	2	2005248-□
		4	□-368587-□
APPLICABLE PRODUCT	POS	P/N	



NOTE:
 1. APPLICABLE CONN. P/N: SEE TABLE 1
 2. GENERAL TOLERANCES: ±0.3
 3. ACCORDING TO IEC 60335-1 4.2 EDITION
 -PART MEETS GWT 750° & 850°C.
 -MATERIAL MEETS BALL PRESSURE TESTING AT 125°C.
 -MATERIAL HAS CTI VALUE OF 250V.

368590-1	NATURAL
P/N	COLOR

THIS DRAWING IS A CONTROLLED DOCUMENT FOR TYCO ELECTRONICS CORPORATION IT IS SUBJECT TO CHANGE AND THE CONTROLLING ENGINEERING ORGANIZATION SHOULD BE CONTACTED FOR THE LATEST REVISION.		DWN SC KIM	AMP KOREA Kyungsan, Korea				
DIMENSIONS: MM		CHK BW KANG					
TOLERANCES UNLESS OTHERWISE SPECIFIED:		APVD JK SONG	NAME PDL 2P DBL PLATE 3.96mm (GWT)				
0 PLC ±- 1 PLC ±- 2 PLC ±- 3 PLC ±- 4 PLC ±- ANGLES ±-		PRODUCT SPEC 108-61106	SIZE A3	CAGE CODE 00779	DRAWING NO 368590	RESTRICTED TO -	
MATERIAL PA66, UL94V-2		FINISH -	WEIGHT -	SCALE 5:1		SHEET 1 OF 1	REV A
CUSTOMER DRAWING							

Mouser Electronics

Authorized Distributor

Click to View Pricing, Inventory, Delivery & Lifecycle Information:

[TE Connectivity:](#)

[368590-1](#)