

83118 Reduced force 83118 S1 Part number made to order



- Reduced actuation force
- Very short differential travel
- Choice of actuators

Part numbers

	Type	Function	Connections
MADE TO ORDER	Reduced force 83118 S1	I (Changeover)	W3

Specifications

Electrical characteristics

Rating nominal / 250 VAC (A)	5
Rating thermal / 250 VAC (A)	17

Mechanical characteristics

Maximum operating force (N)	3
Min. Release force (N)	30
Operating position (mm)	16 ^{±0,4}
Min. overtravel (mm)	0,3
Mechanical life (operations)	5x10 ⁶
Maximum total travel force (N)	3
Max. permitted overtravel force (N)	30
Maximum rest position (mm)	16,6
Differential travel (mm)	0,03 → 0,09
Ambient operating temperature (°C)	- 40 → +125
Contact gap (mm)	0,5
Weight (g)	21

Additional specifications

Components

Material

- Case : thermoset UL94V0
- Contacts : pure silver

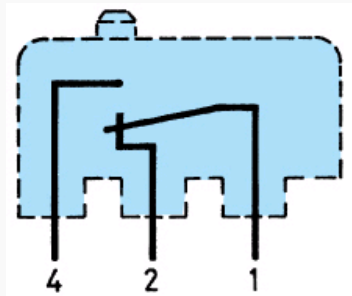
Levers

- Flexible stainless steel

Other levers

- Passivated mild steel (zinc), self-retaining screws

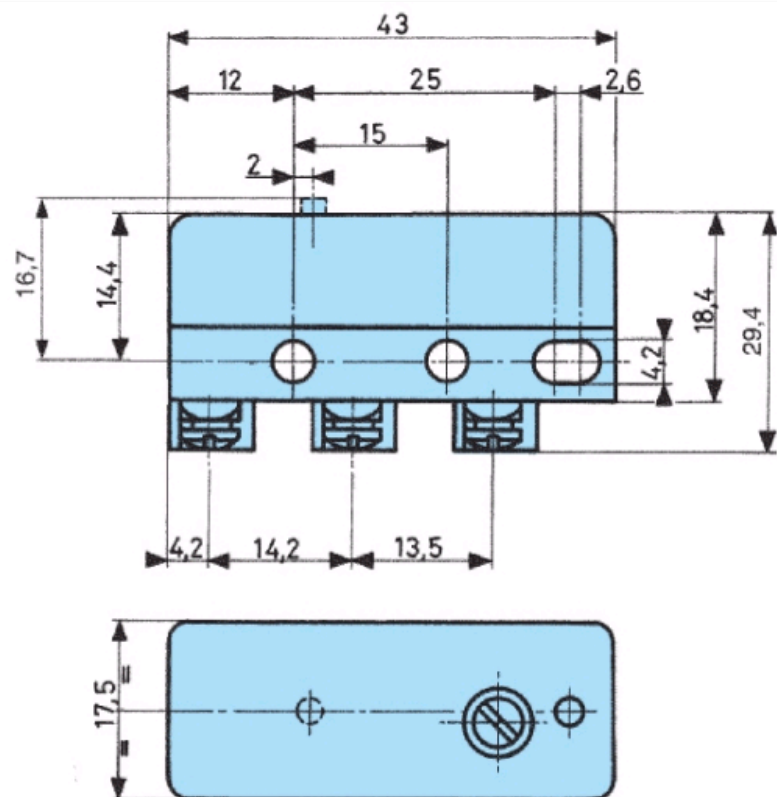
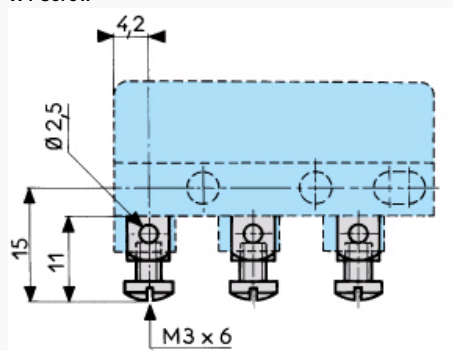
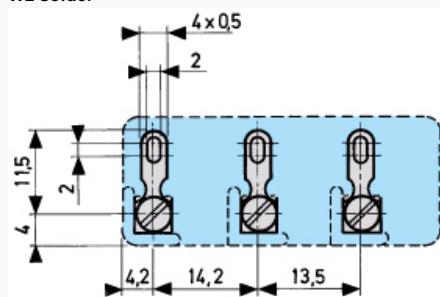
Principles

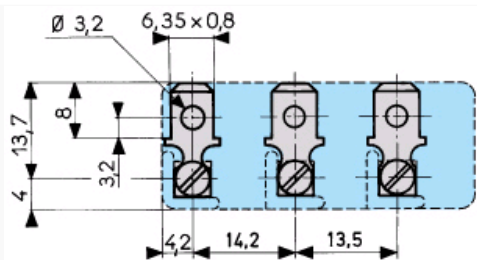


Dimensions (mm)

Product

831180 / 83118 S1

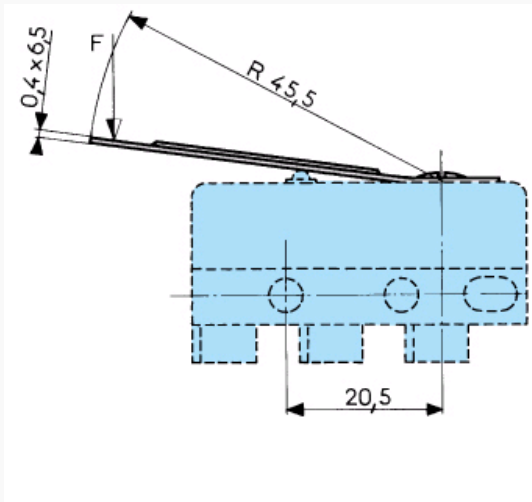
**Dimensions (mm)****Connections****W1 screw****Dimensions (mm)****Connections****W2 solder****Dimensions (mm)****Connections****W3 for 6.35 mm clips**



Dimensions (mm)

Actuators

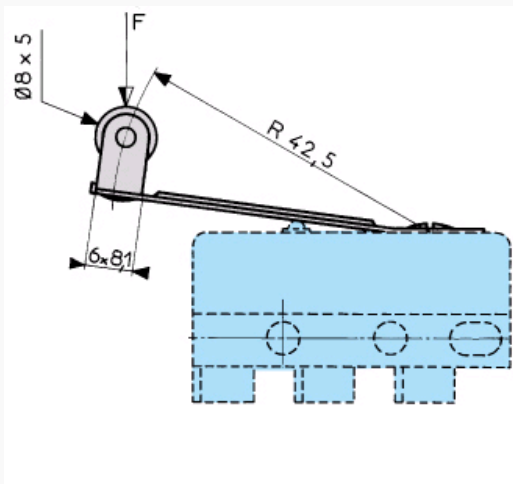
52A



Dimensions (mm)

Actuators

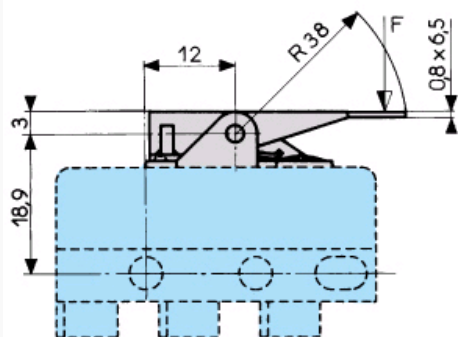
52B



Dimensions (mm)

Actuators

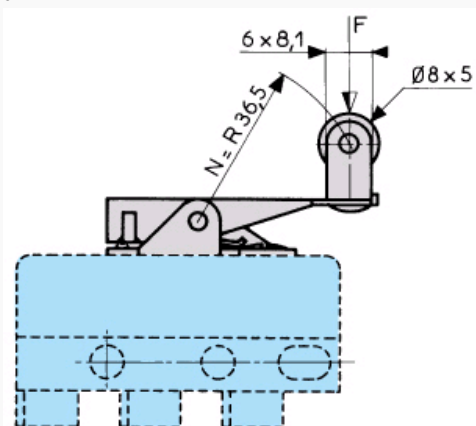
52M



Dimensions (mm)

Actuators

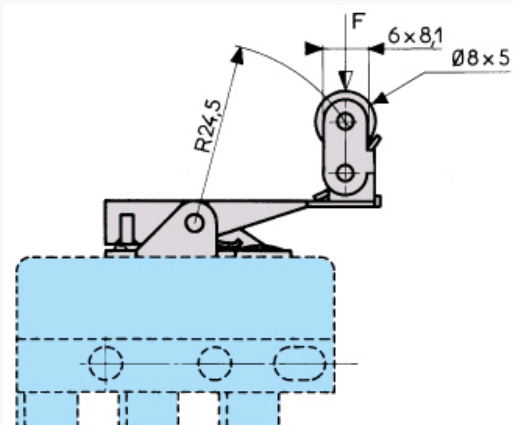
52N



Dimensions (mm)

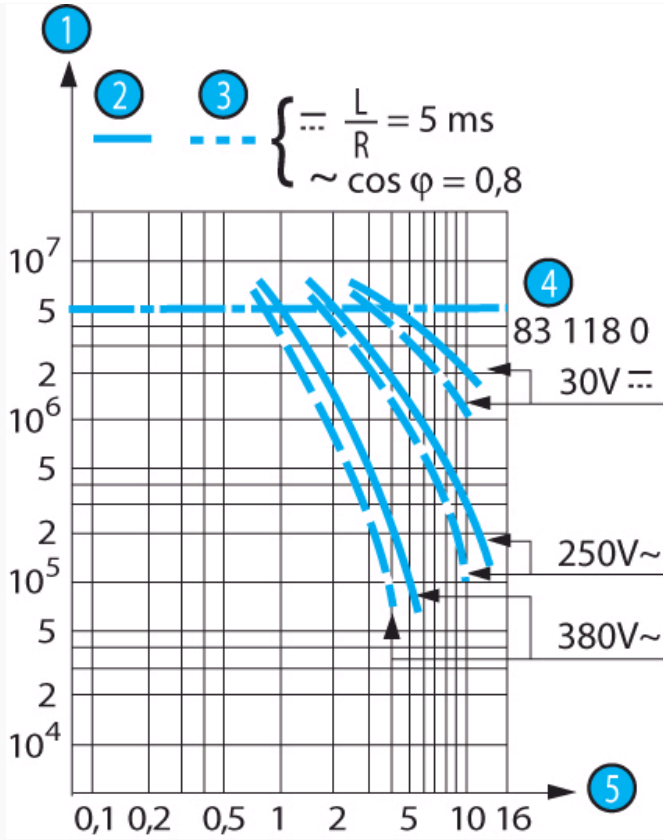
Actuators

52V



Curves

Operating curve for types 831180 - 83118 S1



N°	Legend
1	Number of cycles
2	Resistive circuit
3	Inductive circuit
4	Mechanical life limit
5	Current in Amps

Connections

Actuators and fixing positions

Part numbers for actuators						
Flexible direct-acting actuators: S2A - S2B	S2A R45.5	S2B R42.5	S2M R38	S2N R36.5	S2V R24.5	70 520 029
Hinged reverse-action actuators: S2M - S2N - S2V						
Operating force - max.	N	2.5	1.4	0.85	1.5	1.4
Release force - min.	N	0.8	0.55	0.27	0.4	0.4
Pre-travel - max.	mm	4.5		2		1.5
Differential travel	mm	0.45 ^{UL}		0.3 ^{UL}		0.16 ^{UL}
Total travel max.	mm	7		10		5

Other information

Mounting - Operation

See basic technical concepts

Product adaptations



- Special levers
- Special connections, temperatures
- Approvals : UL - cUL

Mouser Electronics

Authorized Distributor

Click to View Pricing, Inventory, Delivery & Lifecycle Information:

Crouzet:

[831180C1.N](#) [831180C2.0](#) [831180C2.B](#) [831180C3.M](#) [831181C1.D](#) [831181C1.M](#) [831194C1.0](#) [831200C3.E](#)
[831180C2.N](#) [831180C3.0](#) [831180C3.B](#) [831181C1.0](#) [831181C1.N](#) [831181C1.P](#) [831200C1.T](#) [831200C3.0](#)
[831200C3.T](#) [831180C1.0](#) [831180C1.A](#) [831180C1.V](#) [831180C1.M](#) [831190C1.0](#) [831194C3.0](#) [831200C1.0](#)
[831200C1.E](#) [831200C1.J](#) [831181C1.V](#) [831180C1.B](#) [831180C1.E](#) [831180C1.F](#) [831180C1.J](#) [831180C1.L](#)