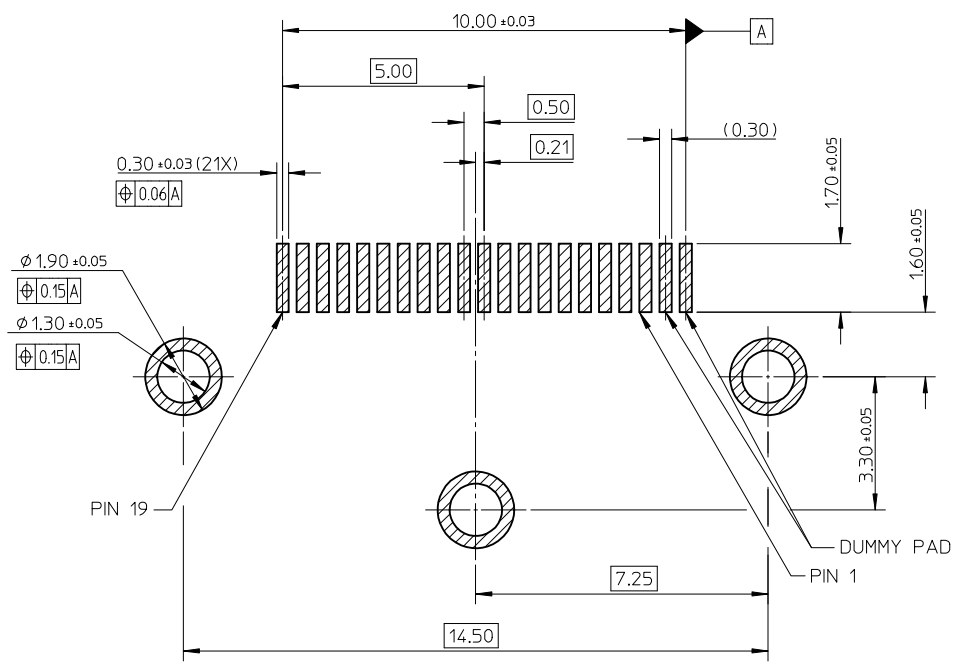
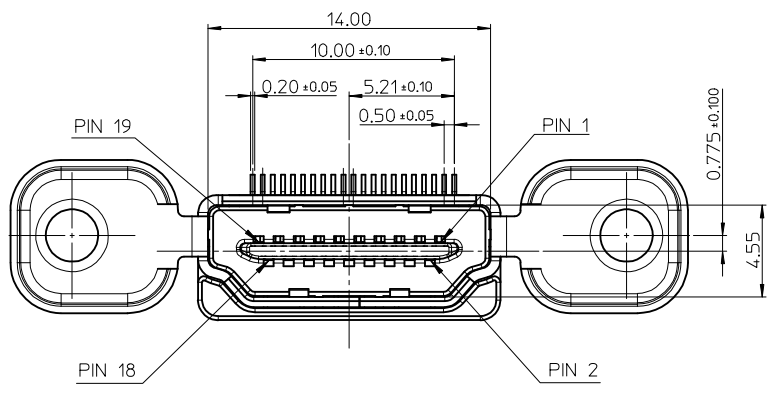


NOTES:

1. MATERIAL:
 - HOUSING: GLASS FILLED HEAT RESISTED RESIN, UL94V-0.
 - TERMINAL: COPPER ALLOY.
 - SHELL: COPPER ALLOY.
 - CAP: GLASS FILLED HEAT RESISTED RESIN, UL94V-0.
2. PLATING:
 - TERMINAL:
 - CONTACT AREA: GOLD FLASH PLATING,
 - SOLDER AREA: 1 MICROMETER MIN. MATTE TIN PLATING,
 - UNDERPLATE: 1 MICROMETER MIN. NICKEL PLATING OVERALL.
 - SHELL:
 - SOLDER AREA: 1 MICROMETER MIN. MATTE TIN PLATING,
 - UNDERPLATE: 1 MICROMETER MIN. NICKEL PLATING OVERALL.
3. PRODUCT SPECIFICATION REFER TO PS-48307-901.
4. PACKAGE REFER TO PK-48307-822.
5. COPLANARITY OF SOLDER TAIL TO BE 0.1 MAX..
6. THE PART CAN COMPLIANT TO ROHS DIRECTIVE 2002/95/EC AND ELV DIRECTIVE 2000/53/EC.

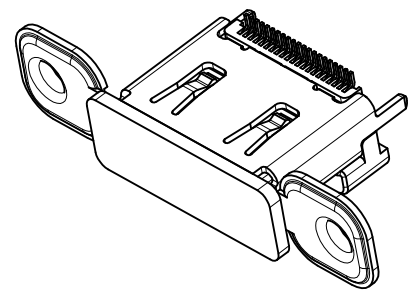
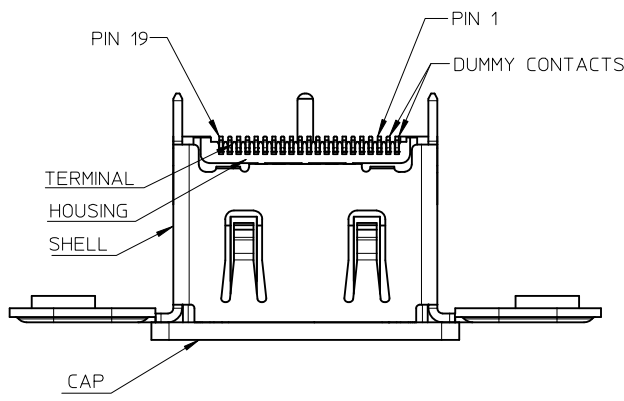
48307-8022	6T+STRUCTURE 2
48307-8012	LCP+STRUCTURE 1
PART NUMBER	CAP SOLUTION

REVISED EC NO: SH2009-0591 DRW:KWEI 2009/05/20 CHKD:RZHANG 2009/05/20 APPR:HWANG 2009/07/07	QUALITY SYMBOLS ▽=0 ◻=0	GENERAL TOLERANCES (UNLESS SPECIFIED)		DIMENSION STYLE MM ONLY		SCALE 1:10	DESIGN UNITS METRIC		THIRD ANGLE PROJECTION		
			mm	INCH	DRAWN BY	DATE	TITLE				
		4 PLACES	± ---	± ---	RZHANG	2008/08/12	SALES DRAWING VERTICAL HDMI RECEP. WITHOUT SUPPORT MOLEX INCORPORATED				
		3 PLACES	± ---	± ---	CHECKED BY	DATE					
2 PLACES	± 0.25	± ---	RZHANG	2008/08/12	MATERIAL NO. 48307-80*2						
1 PLACE	± 0.25	± ---	APPROVED BY	DATE							
ANGULAR ± ---°		DRAFT WHERE APPLICABLE MUST REMAIN WITHIN DIMENSIONS		HWANG		2008/08/12	DOCUMENT NO.		SD-48307-822		
				SIZE		THIS DRAWING CONTAINS INFORMATION THAT IS PROPRIETARY TO MOLEX INCORPORATED AND SHOULD NOT BE USED WITHOUT WRITTEN PERMISSION					
				A3		SHEET NO. 1 OF 2					



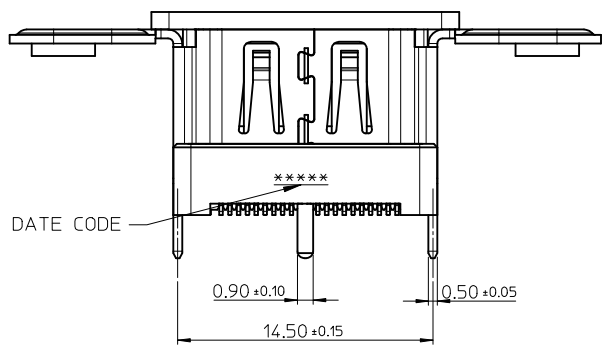
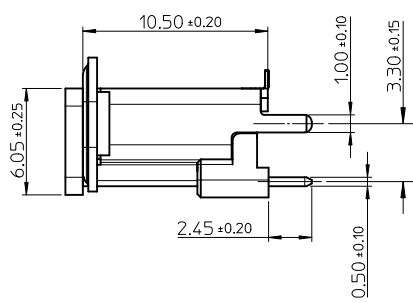
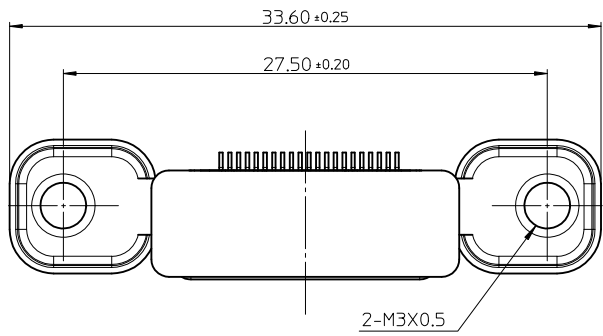
RECOMMENDED PCB LAYOUT
THICKNESS IS 1.60MM

REVISED EC NO: SH2009-0591 DRW:KWEI CHK:RZHANG APPR:HWANG	2009/05/20 2009/05/20 2009/07/07	DESCRIPTION REV	QUALITY SYMBOLS	GENERAL TOLERANCES (UNLESS SPECIFIED)	DIMENSION STYLE	SCALE	DESIGN UNITS	THIRD ANGLE PROJECTION
			▽=0 □=0	mm INCH 4 PLACES ± --- ± --- 3 PLACES ± --- ± --- 2 PLACES ± 0.25 ± --- 1 PLACE ± 0.25 ± --- ANGULAR ± ---°	MM ONLY	4:1	METRIC	
				DRAFT WHERE APPLICABLE MUST REMAIN WITHIN DIMENSIONS	DRAWN BY: RZHANG DATE: 2008/08/12 CHECKED BY: RZHANG DATE: 2008/08/12 APPROVED BY: HWANG DATE: 2008/08/12	TITLE	SALES DRAWING VERTICAL HDMI RECEPT. WITHOUT SUPPORT	
					MATERIAL NO. SEE SHEET 1 SIZE: A3 THIS DRAWING CONTAINS INFORMATION THAT IS PROPRIETARY TO MOLEX INCORPORATED AND SHOULD NOT BE USED WITHOUT WRITTEN PERMISSION	MOLEX INCORPORATED DOCUMENT NO. SD-48307-822 SHEET NO. 2 OF 2		



NOTES:

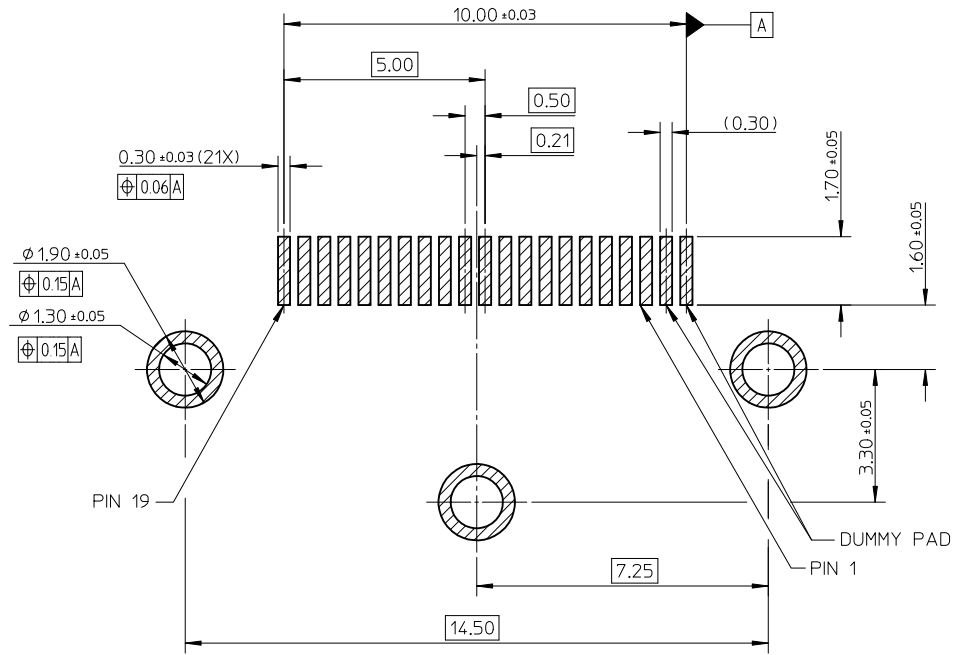
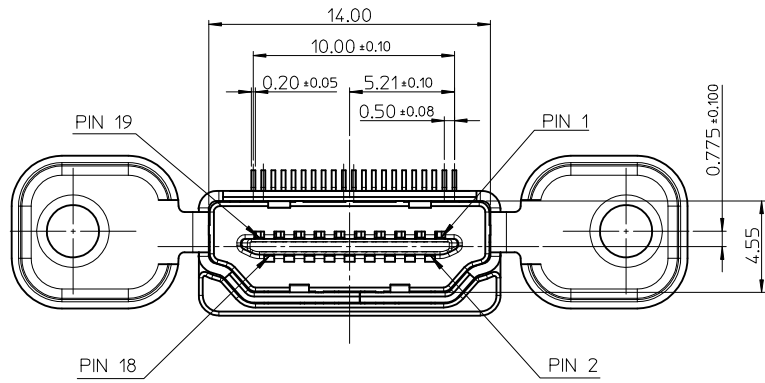
1. MATERIAL:
 - HOUSING: GLASS FILLED HEAT RESISTED RESIN, UL94V-0.
 - TERMINAL: COPPER ALLOY.
 - SHELL: COPPER ALLOY.
 - CAP: GLASS FILLED HEAT RESISTED RESIN, UL94V-0.
2. PLATING:
 - TERMINAL:
 - CONTACT AREA: GOLD FLASH PLATING,
 - SOLDER AREA: 1 MICROMETER MIN. MATTE TIN PLATING,
 - UNDERPLATE: 1 MICROMETER MIN. NICKEL PLATING OVERALL.
 - SHELL:
 - SOLDER AREA: 1 MICROMETER MIN. MATTE TIN PLATING,
 - UNDERPLATE: 1 MICROMETER MIN. NICKEL PLATING OVERALL.
3. PRODUCT SPECIFICATION REFER TO PS-48307-901.
4. PACKAGE REFER TO PK-48307-822.
5. COPLANARITY OF SOLDER TAIL TO BE 0.1 MAX..
6. THE PART CAN COMPLIANT TO ROHS DIRECTIVE 2002/95/EC AND ELV DIRECTIVE 2000/53/EC.



48307-8022	6T+STRUCTURE 2
48307-8012	LCP+STRUCTURE 1
PART NUMBER	CAP SOLUTION

REVISED EC NO: SH2010-0272 DRWN: CWEL CHKD: RZHANG APPR: XJ.SONG	2010/01/19 2010/01/20 2010/01/25	DESCRIPTION REV	QUALITY SYMBOLS	GENERAL TOLERANCES (UNLESS SPECIFIED) 4 PLACES ± --- ± --- 3 PLACES ± --- ± --- 2 PLACES ± --- ± --- 1 PLACE ± --- ± --- ANGULAR ± --- ° DRAFT WHERE APPLICABLE MUST REMAIN WITHIN DIMENSIONS	DIMENSION STYLE	SCALE	DESIGN UNITS	THIRD ANGLE PROJECTION
			mm		INCH	3.5:1	METRIC	☉
			DRAWN BY		DATE	TITLE	SALES DRAWING VERTICAL HDMI RECEPT. WITHOUT SUPPORT	
			RZHANG		2008/08/12			
APPROVED BY	DATE	MOLEX MOLEX INCORPORATED		DOCUMENT NO. SD-48307-822 SHEET NO. 1 OF 2				
HWWANG	2008/08/12					MATERIAL NO. 48307-80*2		
THIS DRAWING CONTAINS INFORMATION THAT IS PROPRIETARY TO MOLEX INCORPORATED AND SHOULD NOT BE USED WITHOUT WRITTEN PERMISSION								

10 9 8 7 6 5 4 3 2 1



RECOMMENDED PCB LAYOUT
THICKNESS IS 1.60MM

REVISED EC NO: SH2010-0272 DRW: KWWEI CHK: RZHANG APPR: XJSONG	DESCRIPTION REV	QUALITY SYMBOLS	GENERAL TOLERANCES (UNLESS SPECIFIED)	DIMENSION STYLE MM ONLY	SCALE 4:1	DESIGN UNITS METRIC	THIRD ANGLE PROJECTION																																							
		$\nabla=0$ $\sphericalangle=0$	<table border="1"> <thead> <tr> <th></th> <th>mm</th> <th>INCH</th> </tr> </thead> <tbody> <tr> <td>4 PLACES</td> <td>± ---</td> <td>± ---</td> </tr> <tr> <td>3 PLACES</td> <td>± ---</td> <td>± ---</td> </tr> <tr> <td>2 PLACES</td> <td>± ---</td> <td>± ---</td> </tr> <tr> <td>1 PLACE</td> <td>± ---</td> <td>± ---</td> </tr> </tbody> </table>		mm	INCH	4 PLACES	± ---	± ---	3 PLACES	± ---	± ---	2 PLACES	± ---	± ---	1 PLACE	± ---	± ---	<table border="1"> <thead> <tr> <th>DRAWN BY</th> <th>DATE</th> <th>TITLE</th> </tr> </thead> <tbody> <tr> <td>RZHANG</td> <td>2008/08/12</td> <td rowspan="4">SALES DRAWING VERTICAL HDMI RECEPT. WITHOUT SUPPORT MOLEX INCORPORATED</td> </tr> <tr> <td>CHECKED BY</td> <td>DATE</td> </tr> <tr> <td>RZHANG</td> <td>2008/08/12</td> </tr> <tr> <td>APPROVED BY</td> <td>DATE</td> </tr> <tr> <td colspan="2">ANGULAR ± ---°</td> <td>HWWANG</td> <td>2008/08/12</td> </tr> <tr> <td colspan="2">DRAFT WHERE APPLICABLE MUST REMAIN WITHIN DIMENSIONS</td> <td>MATERIAL NO. 9999999999</td> <td>DOCUMENT NO. SD-48307-822</td> <td>SHEET NO. 2 OF 2</td> </tr> <tr> <td colspan="2"></td> <td>SIZE A3</td> <td colspan="3">THIS DRAWING CONTAINS INFORMATION THAT IS PROPRIETARY TO MOLEX INCORPORATED AND SHOULD NOT BE USED WITHOUT WRITTEN PERMISSION</td> </tr> </tbody></table>	DRAWN BY	DATE	TITLE	RZHANG	2008/08/12	SALES DRAWING VERTICAL HDMI RECEPT. WITHOUT SUPPORT MOLEX INCORPORATED	CHECKED BY	DATE	RZHANG	2008/08/12	APPROVED BY	DATE	ANGULAR ± ---°		HWWANG	2008/08/12	DRAFT WHERE APPLICABLE MUST REMAIN WITHIN DIMENSIONS		MATERIAL NO. 9999999999	DOCUMENT NO. SD-48307-822	SHEET NO. 2 OF 2			SIZE A3	THIS DRAWING CONTAINS INFORMATION THAT IS PROPRIETARY TO MOLEX INCORPORATED AND SHOULD NOT BE USED WITHOUT WRITTEN PERMISSION		
			mm	INCH																																										
		4 PLACES	± ---	± ---																																										
3 PLACES	± ---	± ---																																												
2 PLACES	± ---	± ---																																												
1 PLACE	± ---	± ---																																												
DRAWN BY	DATE	TITLE																																												
RZHANG	2008/08/12	SALES DRAWING VERTICAL HDMI RECEPT. WITHOUT SUPPORT MOLEX INCORPORATED																																												
CHECKED BY	DATE																																													
RZHANG	2008/08/12																																													
APPROVED BY	DATE																																													
ANGULAR ± ---°		HWWANG	2008/08/12																																											
DRAFT WHERE APPLICABLE MUST REMAIN WITHIN DIMENSIONS		MATERIAL NO. 9999999999	DOCUMENT NO. SD-48307-822	SHEET NO. 2 OF 2																																										
		SIZE A3	THIS DRAWING CONTAINS INFORMATION THAT IS PROPRIETARY TO MOLEX INCORPORATED AND SHOULD NOT BE USED WITHOUT WRITTEN PERMISSION																																											

9 8 7 6 5 4 3 2 1