



PD57018-E

RF POWER transistor, LdmoST plastic family N-channel enhancement-mode, lateral MOSFETs

Features

- Excellent thermal stability
- Common source configuration
- $P_{OUT} = 18\text{ W}$ with 16.5dB gain@945 MHz/28 V
- New RF plastic package

Description

The device is a common source N-channel, enhancement-mode lateral field-effect RF power transistor. It is designed for high gain, broad band commercial and industrial applications. It operates at 28 V in common source mode at frequencies of up to 1 GHz. The device boasts the excellent gain, linearity and reliability of ST's latest LDMOS technology mounted in the first true SMD plastic RF power package, PowerSO-10RF. Device's superior linearity performance makes it an ideal solution for base station applications. The PowerSO-10 plastic package, designed to offer high reliability, is the first ST JEDEC approved, high power SMD package. It has been specially optimized for RF needs and offers excellent RF performance and ease of assembly. Mounting recommendations are available in www.st.com/rf/ (look for application note AN1294).

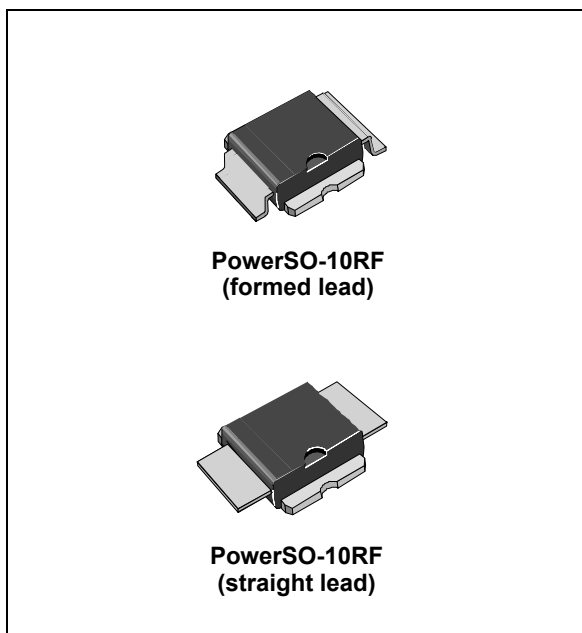


Figure 1. Pin connection

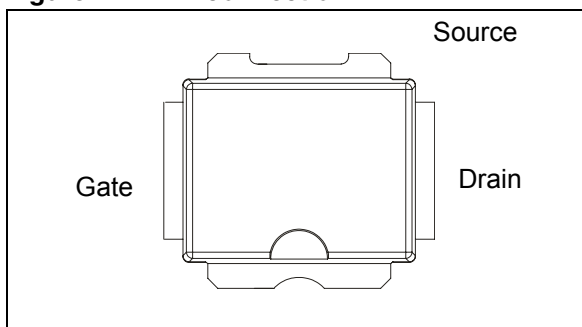


Table 1. Device summary

Order code	Package	Packing
PD57018-E	PowerSO-10RF (formed lead)	Tube
PD57018S-E	PowerSO-10RF (straight lead)	Tube
PD57018TR-E	PowerSO-10RF (formed lead)	Tape and reel
PD57018STR-E	PowerSO-10RF (straight lead)	Tape and reel

Contents

- 1 Electrical data 3**
 - 1.1 Maximum ratings 3
 - 1.2 Thermal data 3

- 2 Electrical characteristics 4**
 - 2.1 Static 4
 - 2.2 Dynamic 4
 - 2.3 Moisture sensitivity level 4

- 3 Impedance 5**

- 4 Typical performance 6**
 - 4.1 PD57018-E 6
 - 4.2 PD57018S-E 8

- 5 Test circuit 10**

- 6 Circuit layout 12**

- 7 Common source s-parameter 13**

- 8 Package mechanical data 19**

- 9 Revision history 24**

1 Electrical data

1.1 Maximum ratings

Table 2. Absolute maximum ratings ($T_{CASE} = 25^{\circ}C$)

Symbol	Parameter	Value	Unit
$V_{(BR)DSS}$	Drain-source voltage	65	V
V_{GS}	Gate-source voltage	± 20	V
I_D	Drain current	2.5	A
P_{DISS}	Power dissipation (@ $T_C = 70^{\circ}C$)	31.7	W
T_J	Max. operating junction temperature	165	$^{\circ}C$
T_{STG}	Storage temperature	-65 to +150	$^{\circ}C$

1.2 Thermal data

Table 3. Thermal data

Symbol	Parameter	Value	Unit
R_{thJC}	Junction - case thermal resistance	3.0	$^{\circ}C/W$

2 Electrical characteristics

$T_{CASE} = +25\text{ }^{\circ}\text{C}$

2.1 Static

Table 4. Static

Symbol	Test conditions		Min	Typ	Max	Unit
$V_{(BR)DSS}$	$V_{GS} = 0$	$I_{DS} = 10\text{ mA}$	65			V
I_{DSS}	$V_{GS} = 0$	$V_{DS} = 28\text{ V}$			1	μA
I_{GSS}	$V_{GS} = 20\text{ V}$	$V_{DS} = 0\text{ V}$			1	μA
$V_{GS(Q)}$	$V_{DS} = 28\text{ V}$	$I_D = 100\text{ mA}$	2.0		4.0	V
$R_{DS(on)}$	$V_{GS} = 10\text{ V}$	$I_D = 1.25\text{ A}$			0.76	Ω
g_{FS}	$V_{DS} = 10\text{ V}$	$I_D = 1\text{ A}$		1		mho
C_{ISS}	$V_{GS} = 0$	$V_{DS} = 28\text{ V}$		34.5		pF
C_{OSS}	$V_{GS} = 0$	$V_{DS} = 28\text{ V}$		21		pF
C_{RSS}	$V_{GS} = 0$	$V_{DS} = 28\text{ V}$		1.3		pF

2.2 Dynamic

Table 5. Dynamic

Symbol	Test conditions		Min	Typ	Max	Unit
P_{OUT}	$V_{DD} = 28\text{ V}$, $I_{DQ} = 100\text{ mA}$	$f = 945\text{ MHz}$	18			W
G_{PS}	$V_{DD} = 28\text{ V}$, $I_{DQ} = 100\text{ mA}$, $P_{OUT} = 18\text{ W}$	$f = 945\text{ MHz}$	14	16.5		dB
h_D	$V_{DD} = 28\text{ V}$, $I_{DQ} = 100\text{ mA}$, $P_{OUT} = 18\text{ W}$	$f = 945\text{ MHz}$	50	53		%
Load mismatch	$V_{DD} = 28\text{ V}$, $I_{DQ} = 100\text{ mA}$, $P_{OUT} = 18\text{ W}$, $f = 945\text{ MHz}$ All phase angles		10:1			VSWR

2.3 Moisture sensitivity level

Table 6. Moisture sensitivity level

Test methodology	Rating
J-STD-020B	MSL 3

3 Impedance

Figure 2. Current conventions



Table 7. Impedance data

PD57018-E			PD57018S-E		
Freq. (MHz)	$Z_{IN} (\Omega)$	$Z_{DL}(\Omega)$	Freq. (MHz)	$Z_{IN} (\Omega)$	$Z_{DL}(\Omega)$
925	.52 - j 1.75	3.04 + j .10	925	.35 - j .53	1.92 + j 4.13
945	.49 - j 2.38	3.14 + j .76	945	.53 - j .86	2.03 + j 2.81
960	.48 - j 2.36	3.12 + j .27	960	.50 - j .52	2.04 + j 2.57

4 Typical performance

Figure 3. Capacitance vs drain voltage

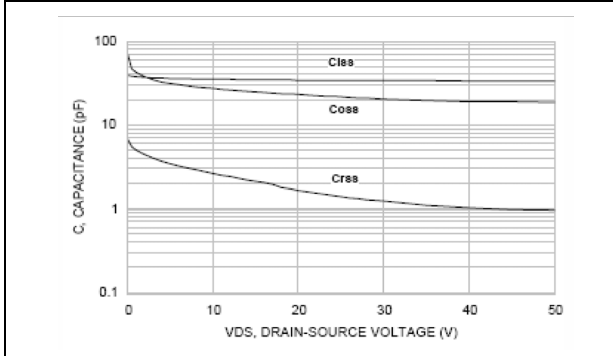


Figure 4. Drain current vs gate voltage

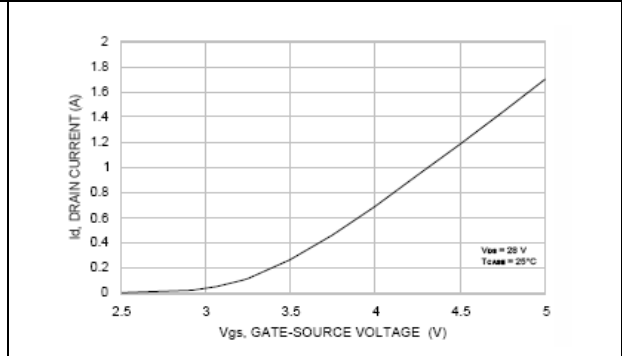


Figure 5. Gate-source voltage vs case temperature

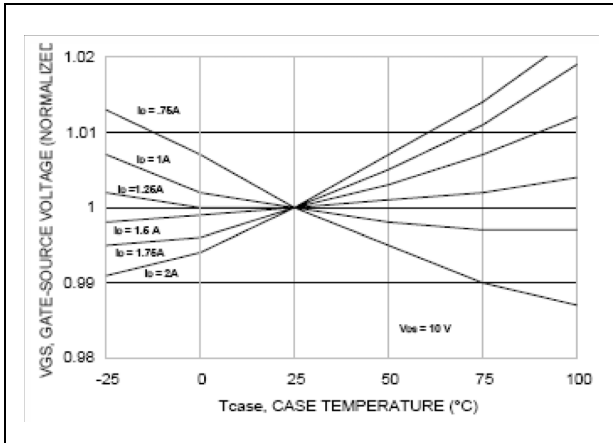
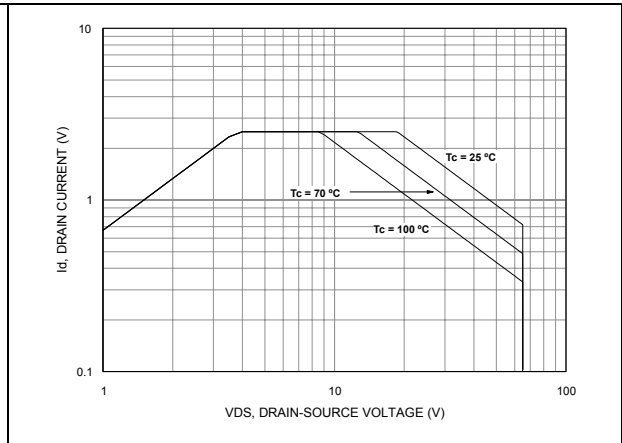


Figure 6. Safe operating area



4.1 PD57018-E

Figure 7. Output power vs input power

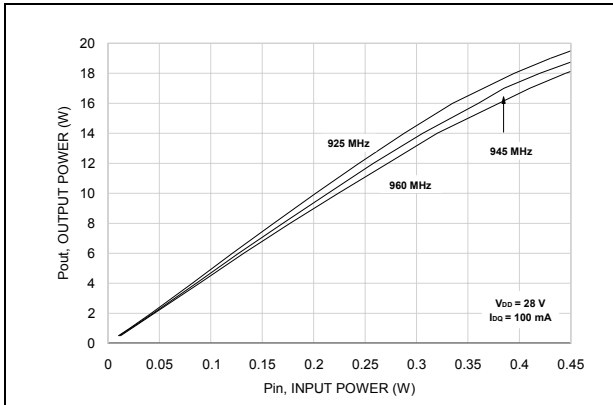


Figure 8. Power gain vs output power

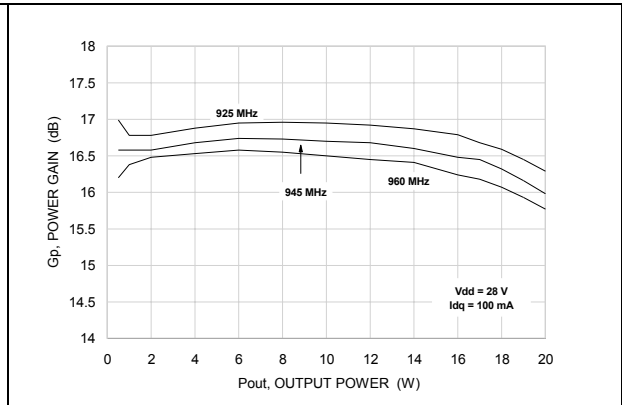


Figure 9. Drain efficiency vs output power

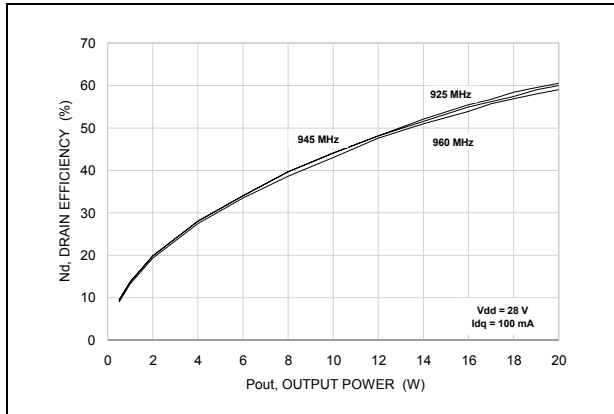


Figure 10. Return loss vs output power

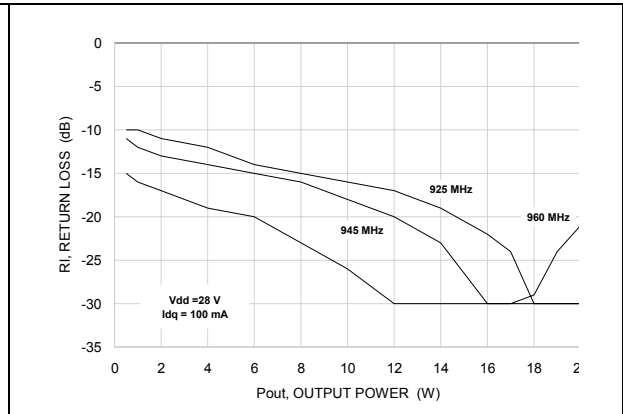


Figure 11. Output power vs bias current

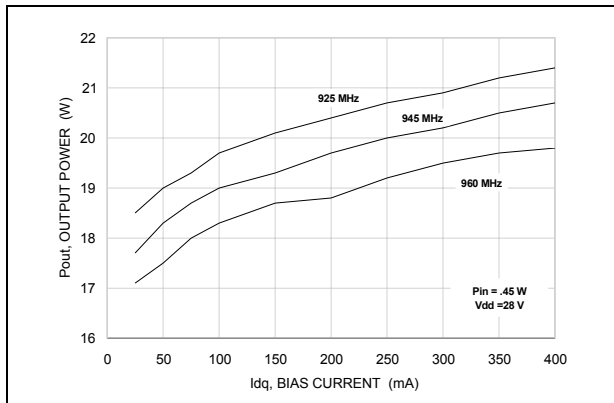


Figure 12. Efficiency vs bias current

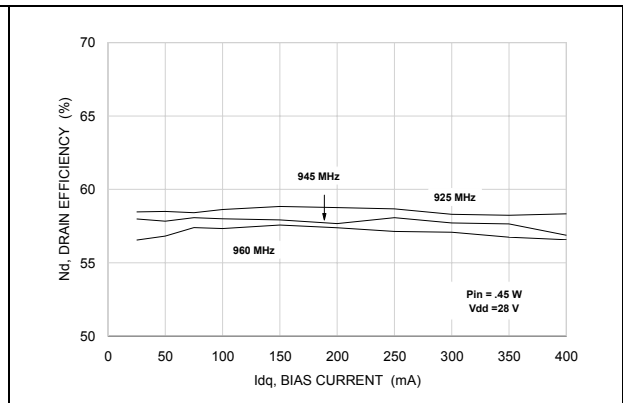


Figure 13. Output power vs drain voltage

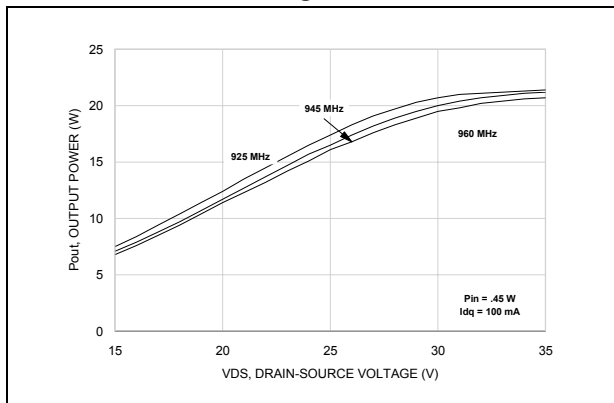
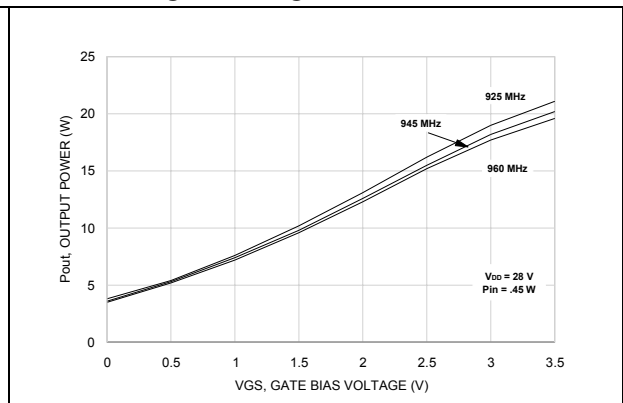


Figure 14. Output power vs gate voltage



4.2 PD57018S-E

Figure 15. Output power vs input power

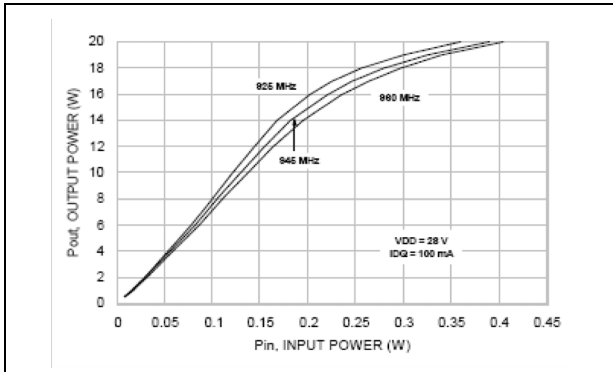


Figure 16. Power gain vs output power

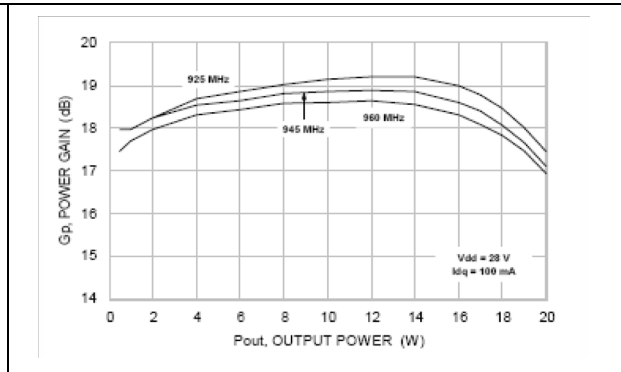


Figure 17. Drain efficiency vs output power

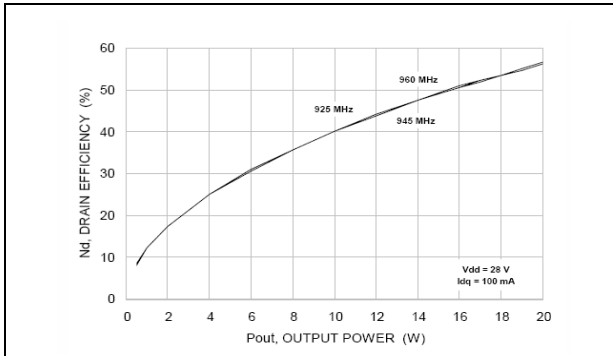


Figure 18. Return loss vs output power

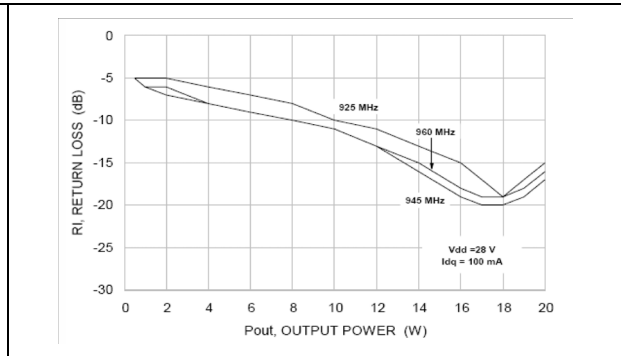


Figure 19. Output power vs bias current

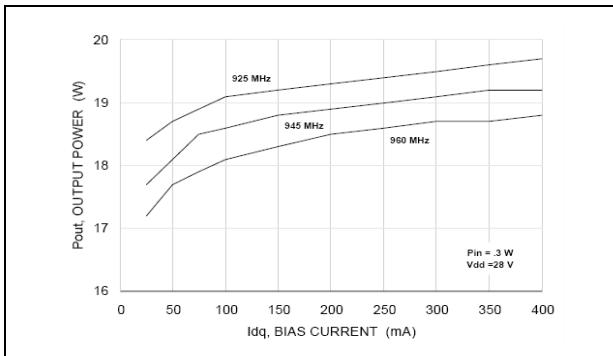


Figure 20. Efficiency vs bias current

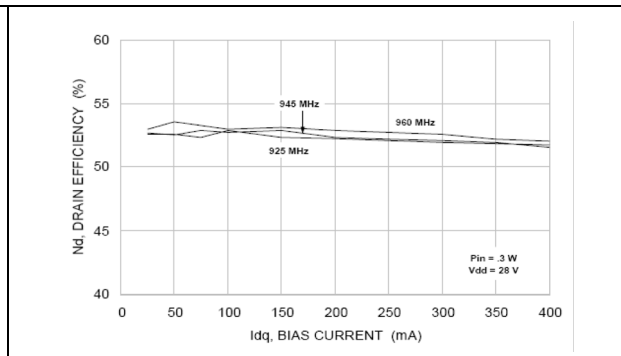


Figure 21. Output power vs drain voltage

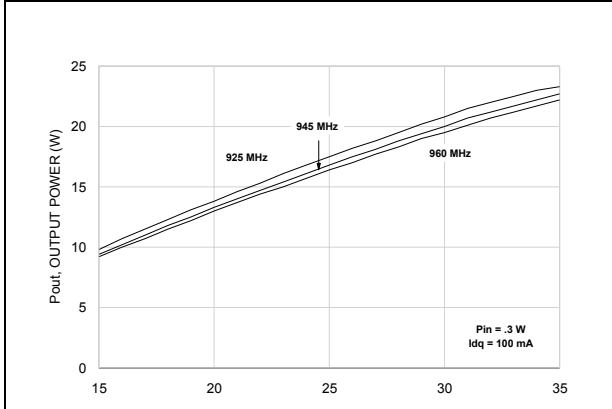
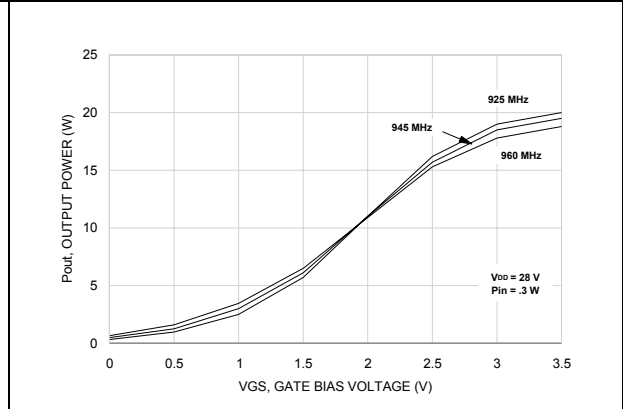


Figure 22. Output power vs gate voltage



5 Test circuit

Figure 23. Test circuit schematic

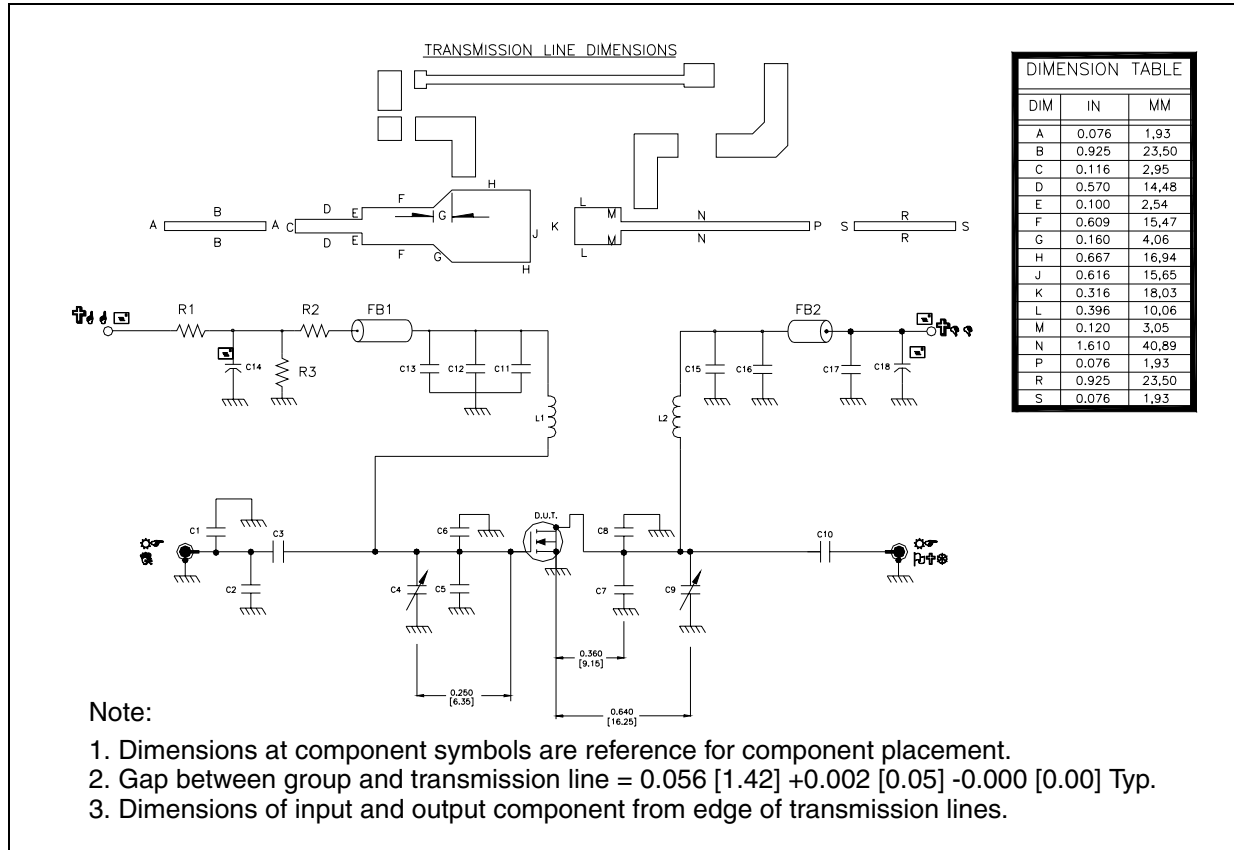


Table 8. Test circuit component part list

Component	Description
C1,C4, C9	0.8 - 8.0 pF giga trim variable capacitor
C2	2.7 pF ATC 100B surface mount ceramic chip capacitor
C3, C10, C11, C15	47 pF ATC 100B surface mount ceramic chip capacitor
C5, C6, C7, C8	7.5 pF ATC 100B surface mount ceramic chip capacitor
C12	1000 pF ATC 700B surface mount ceramic chip capacitor
C13, C17	0.1 μF / 500 V surface mount ceramic chip capacitor
C14	10 μF / 50 V aluminum electrolytic radial lead capacitor
C16	100 pF ATC 100B surface mount ceramic chip capacitor
C18	220 μF / 63 V aluminum electrolytic radial lead capacitor
C19 ⁽¹⁾	4.3 pF ATC 100B surface mount ceramic chip capacitor
C19 ⁽²⁾	2.7 pF ATC 100B surface mount ceramic chip capacitor
R1	430 Ω, 1/8 W surface mount chip resistor

Table 8. Test circuit component part list (continued)

Component	Description
R2	1 k Ω , 1/8 W surface mount chip resistor
FB1, FB2,FB3	Shield bead surface mount EMI
L1, L2	Inductor, 5 turns air wound #22AWG, ID=0.059[1.49], nylon coated magnet wire
BOARD	Roger ultra lam 2000 THK 0.030" $\epsilon_r = 2.55$ 2oz ED Cu both sides

1. Only for PD57018-E
2. Only for PD57018S-E

6 Circuit layout

Figure 24. Test fixture component layout

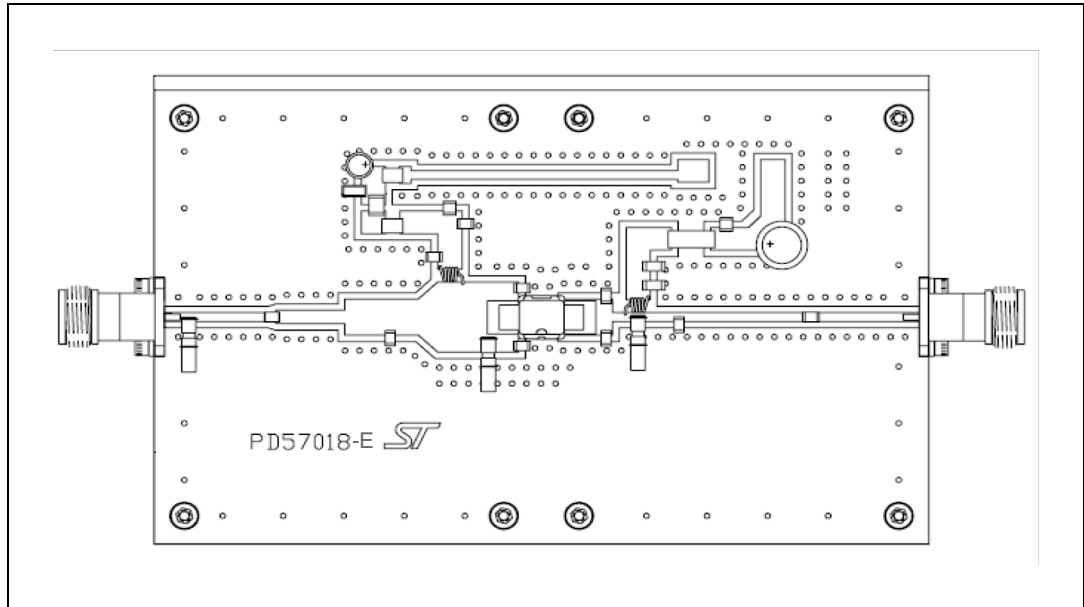
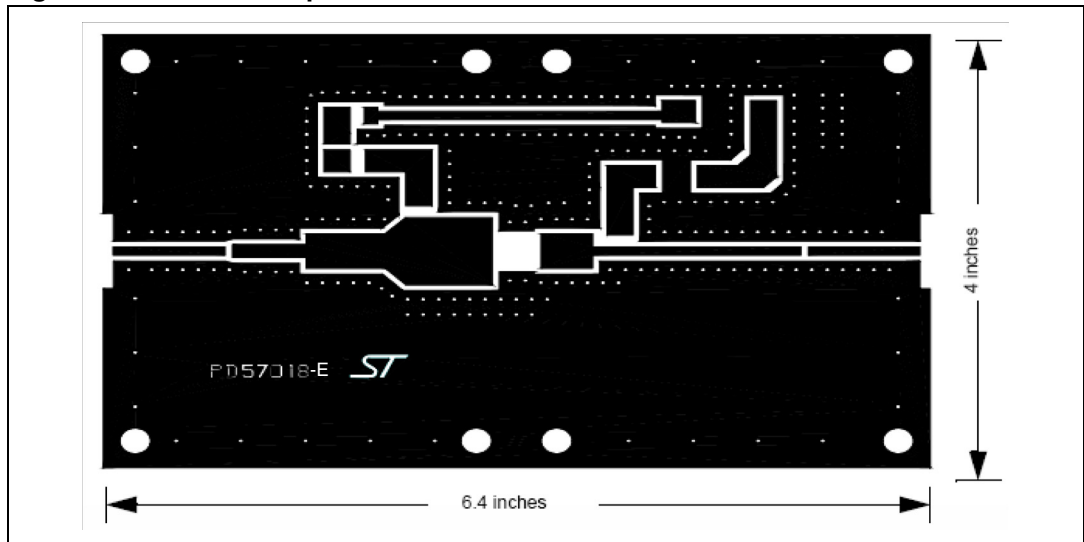


Figure 25. Test circuit photomaster



7 Common source s-parameter

Table 9. S-parameter for PD57018-E ($V_{DS} = 28\text{ V}$ $I_{DS} = 0.4\text{ A}$)

Freq (MHz)	$ S_{11} $	$S_{11} < \Phi$	$ S_{21} $	$S_{21} < \Phi$	$ S_{12} $	$S_{12} < \Phi$	$ S_{22} $	$S_{22} < \Phi$
50	0.866	-109	36.21	115	0.020	26	0.556	-93
100	0.834	-140	19.98	92	0.022	5	0.522	-121
150	0.834	-152	13.32	80	0.022	-7	0.546	-131
200	0.846	-158	9.75	70	0.020	-16	0.587	-137
250	0.856	-162	7.50	62	0.019	-21	0.630	-141
300	0.869	-165	5.97	55	0.018	-27	0.676	-145
350	0.880	-168	4.86	48	0.016	-31	0.715	-148
400	0.892	-170	4.05	42	0.015	-34	0.749	-150
450	0.903	-172	3.42	37	0.013	-37	0.778	-153
500	0.911	-174	2.91	33	0.012	-41	0.806	-156
550	0.922	-175	2.52	29	0.010	-42	0.826	-158
600	0.927	-177	2.19	25	0.009	-42	0.844	-160
650	0.933	-178	1.93	21	0.008	-39	0.859	-162
700	0.937	-180	1.72	17	0.006	-42	0.876	-164
750	0.940	179	1.54	14	0.005	-30	0.886	-166
800	0.946	178	1.39	12	0.006	-26	0.896	-168
850	0.950	177	1.25	9	0.004	-21	0.905	-169
900	0.949	176	1.13	6	0.002	-3	0.907	-171
950	0.949	175	1.03	3	0.002	28	0.918	-172
1000	0.951	174	0.95	1	0.003	46	0.920	-173
1050	0.949	173	0.87	-1	0.004	42	0.924	-174
1100	0.948	172	0.82	-3	0.005	62	0.929	-175
1150	0.948	171	0.76	-5	0.005	63	0.929	-177
1200	0.944	169	0.70	-8	0.005	68	0.938	-178
1250	0.947	168	0.67	-10	0.007	75	0.939	-179
1300	0.946	167	0.62	-12	0.008	72	0.941	180
1350	0.949	165	0.58	-14	0.009	72	0.939	179
1400	0.951	165	0.55	-17	0.010	73	0.939	178
1450	0.953	164	0.52	-18	0.010	74	0.941	177
1500	0.950	163	0.48	-20	0.010	83	0.938	176

Table 10. S-parameter PD57018-E ($V_{DS} = 28\text{ V}$ $I_{DS} = 0.8\text{ A}$)

Freq (MHz)	$ S_{11} $	$S_{11} < \Phi$	$ S_{21} $	$S_{21} < \Phi$	$ S_{12} $	$S_{12} < \Phi$	$ S_{22} $	$S_{22} < \Phi$
50	0.868	-112	39.29	111	0.019	24	0.523	-99
100	0.841	-142	20.99	89	0.020	5	0.507	-126
150	0.840	-154	13.61	79	0.020	-6	0.532	-135
200	0.852	-160	10.01	69	0.019	-13	0.573	-140
250	0.860	-164	7.78	62	0.018	-19	0.615	-143
300	0.871	-167	6.62	55	0.016	-25	0.660	-146
350	0.883	-169	5.14	50	0.014	-29	0.699	-149
400	0.892	-171	4.27	43	0.013	-32	0.734	-152
450	0.903	-173	3.64	38	0.012	-36	0.762	-154
500	0.911	-174	3.10	33	0.011	-37	0.791	-156
550	0.921	176	2.69	29	0.009	-36	0.814	-159
600	0.927	-177	2.33	25	0.008	-35	0.832	-161
650	0.931	-179	2.07	22	0.007	-32	0.847	-163
700	0.936	180	1.85	18	0.006	-34	0.864	-165
750	0.939	179	1.66	15	0.004	-26	0.876	-166
800	0.944	177	1.50	12	0.004	-19	0.886	-168
850	0.948	176	1.35	9	0.004	-4	0.896	-169
900	0.947	175	1.23	7	0.003	13	0.899	-171
950	0.946	174	1.13	4	0.004	41	0.909	-172
1000	0.948	173	1.03	1	0.004	37	0.913	-173
1050	0.947	173	0.95	-1	0.005	52	0.919	-174
1100	0.946	171	0.89	-4	0.005	60	0.922	-175
1150	0.945	170	0.83	-5	0.006	63	0.923	-177
1200	0.941	169	0.77	-9	0.007	66	0.933	-178
1250	0.946	168	0.72	-11	0.008	74	0.931	-178
1300	0.945	167	0.67	-13	0.009	71	0.937	180
1350	0.947	166	0.63	-15	0.009	71	0.934	179
1400	0.949	164	0.58	-18	0.010	70	0.934	178
1450	0.950	163	0.55	-20	0.001	73	0.938	177
1500	0.948	162	0.51	-21	0.001	83	0.933	176

Table 11. S-parameter for PD57018-E ($V_{DS} = 28\text{ V}$ $I_{DS} = 1.2\text{ A}$)

Freq (MHz)	$ S_{11} $	$S_{11} < \Phi$	$ S_{21} $	$S_{21} < \Phi$	$ S_{12} $	$S_{12} < \Phi$	$ S_{22} $	$S_{22} < \Phi$
50	0.870	-113	38.10	113	0.018	25	0.516	-100
100	0.843	-143	20.76	92	0.019	5	0.500	-126
150	0.843	-154	13.83	79	0.019	-6	0.527	-135
200	0.854	-160	10.14	70	0.018	-13	0.570	-139
250	0.863	-164	7.81	62	0.017	-20	0.612	-143
300	0.874	-167	6.24	55	0.016	-24	0.658	-146
350	0.883	-169	5.09	49	0.014	-28	0.698	-149
400	0.894	-171	4.27	43	0.013	-32	0.733	-151
450	0.904	-173	3.60	38	0.011	-35	0.762	-154
500	0.912	-175	3.08	33	0.010	-35	0.791	-156
550	0.922	-176	2.66	29	0.009	-36	0.812	-159
600	0.928	-178	2.33	25	0.008	-37	0.831	-161
650	0.932	-179	2.05	21	0.007	-32	0.847	-162
700	0.936	180	1.83	18	0.005	-34	0.864	-164
750	0.940	178	1.63	14	0.004	-25	0.875	-166
800	0.945	177	1.48	12	0.004	-11	0.885	-168
850	0.948	176	1.33	9	0.003	-5	0.896	-169
900	0.947	175	1.21	6	0.003	17	0.899	-171
950	0.946	174	1.10	3	0.004	43	0.910	-172
1000	0.950	173	1.02	1	0.004	47	0.913	-173
1050	0.948	172	0.93	-2	0.005	55	0.918	-174
1100	0.946	171	0.88	-4	0.006	59	0.922	-175
1150	0.946	170	0.81	-6	0.006	66	0.922	-177
1200	0.942	169	0.75	-8	0.007	66	0.932	-178
1250	0.945	168	0.71	-11	0.008	70	0.933	-178
1300	0.945	167	0.67	-13	0.008	68	0.937	-180
1350	0.947	166	0.62	-15	0.009	72	0.934	179
1400	0.949	164	0.59	-18	0.010	72	0.935	178
1450	0.950	163	0.55	-19	0.011	73	0.937	177
1500	0.948	162	0.51	-22	0.011	83	0.933	176

Table 12. S-parameter for PD57018S-E ($V_{DS} = 28\text{ V}$ $I_{DS} = 0.4\text{ A}$)

Freq (MHz)	$ S_{11} $	$\angle S_{11}$	$ S_{21} $	$\angle S_{21}$	$ S_{12} $	$\angle S_{12}$	$ S_{22} $	$\angle S_{22}$
50	0.868	-109	36.63	115	0.020	26	0.551	-96
100	0.834	-140	19.69	93	0.022	5	0.523	-123
150	0.835	-151	13.11	81	0.022	-6	0.548	-133
200	0.845	-158	9.59	71	0.021	-15	0.589	-138
250	0.856	-162	7.41	63	0.020	-21	0.631	-142
300	0.868	-164	5.90	57	0.018	-26	0.672	-145
350	0.881	-167	4.82	51	0.017	-30	0.712	-148
400	0.892	-168	4.02	45	0.016	-35	0.744	-150
450	0.902	-170	3.40	40	0.014	-38	0.775	153
500	0.910	-172	2.90	36	0.013	-39	0.799	-155
550	0.917	-173	2.51	32	0.011	-40	0.822	-157
600	0.925	-174	2.20	28	0.010	-45	0.841	-159
650	0.930	-176	1.93	25	0.009	-44	0.857	-160
700	0.935	-177	1.72	21	0.008	-46	0.870	-162
750	0.938	-178	1.54	18	0.007	-43	0.883	-164
800	0.941	-179	1.38	15	0.006	-38	0.892	-165
850	0.944	-180	1.25	13	0.005	-35	0.901	-166
900	0.945	179	1.15	10	0.004	-40	0.906	-168
950	0.946	178	1.04	8	0.003	-25	0.915	-169
1000	0.949	177	0.96	6	0.003	-1	0.919	-170
1050	0.949	177	0.88	4	0.002	6	0.925	-171
1100	0.951	176	0.82	2	0.003	8	0.927	-172
1150	0.951	175	0.77	0	0.003	34	0.932	-173
1200	0.951	174	0.72	-2	0.004	52	0.937	-173
1250	0.949	174	0.67	-4	0.004	59	0.939	-174
1300	0.948	172	0.64	-6	0.004	56	0.942	-176
1350	0.950	172	0.60	-9	0.005	66	0.941	-176
1400	0.949	171	0.57	-11	0.007	71	0.942	-177
1450	0.948	170	0.53	-13	0.006	73	0.944	-178
1500	0.945	170	0.50	-15	0.006	93	0.942	-179

Table 13. S-parameter for PD57018S-E ($V_{DS} = 28\text{ V}$ $I_{DS} = 0.8\text{ A}$)

Freq (MHz)	$ S_{11} $	$S_{11} < \Phi$	$ S_{21} $	$S_{21} < \Phi$	$ S_{12} $	$S_{12} < \Phi$	$ S_{22} $	$S_{22} < \Phi$
50	0.872	-113	37.19	114	0.019	25	0.519	-103
100	0.843	-142	20.40	93	0.021	5	0.509	-129
150	0.843	-153	13.58	81	0.020	-6	0.537	-137
200	0.852	-159	9.96	72	0.019	-13	0.576	-141
250	0.862	-163	7.72	64	0.019	-18	0.618	-144
300	0.871	-166	6.17	58	0.017	-26	0.658	147
350	0.883	-168	5.06	52	0.015	-28	0.697	-149
400	0.893	-170	4.23	46	0.014	-30	0.729	-151
450	0.903	-171	3.59	41	0.013	-34	0.760	-154
500	0.910	-173	3.08	37	0.012	-35	0.785	-157
550	0.917	-174	2.66	33	0.011	-38	0.808	-157
600	0.923	-175	2.34	29	0.010	-41	0.828	-159
650	0.929	-176	2.06	25	0.008	-40	0.844	-161
700	0.932	-177	1.84	22	0.007	-41	0.858	-162
750	0.937	-179	1.64	19	0.006	-40	0.879	-169
800	0.939	-179	1.48	16	0.005	-32	0.882	-165
850	0.942	-180	1.34	14	0.005	-34	0.891	-166
900	0.942	179	1.22	11	0.003	-37	0.898	-168
950	0.944	178	1.12	9	0.003	-17	0.906	-169
1000	0.947	177	1.04	6	0.003	-5	0.910	-170
1050	0.947	176	0.95	4	0.003	24	0.918	-171
1100	0.949	175	0.89	2	0.003	32	0.920	-172
1150	0.949	175	0.82	0	0.003	49	0.924	-173
1200	0.949	174	0.77	-2	0.004	55	0.930	-173
1250	0.947	173	0.73	-4	0.005	62	0.933	-174
1300	0.947	172	0.68	-6	0.005	63	0.937	-176
1350	0.948	171	0.65	-9	0.005	74	0.935	-176
1400	0.949	171	0.61	-11	0.006	73	0.937	-177
1450	0.947	170	0.57	-13	0.006	74	0.938	-178
1500	0.944	169	0.54	-15	0.005	86	0.937	-179

Table 14. S-parameter for PD57018S-E ($V_{DS} = 28\text{ V}$ $I_{DS} = 1.2\text{ A}$)

Freq (MHz)	$ S_{11} $	$S_{11} < \Phi$	$ S_{21} $	$S_{21} < \Phi$	$ S_{12} $	$S_{12} < \Phi$	$ S_{22} $	$S_{22} < \Phi$
50	0.872	-113	37.35	113	0.018	25	0.511	-103
100	0.844	-143	20.42	92	0.020	5	0.503	-129
150	0.845	-154	13.60	81	0.020	-6	0.532	-137
200	0.854	-160	9.97	72	0.019	-13	0.571	-141
250	0.863	-163	7.71	64	0.017	-20	0.614	-144
300	0.873	-166	6.16	57	0.017	-26	0.655	-147
350	0.885	-168	5.05	51	0.015	-28	0.694	-149
400	0.895	-170	4.23	46	0.014	-31	0.727	-151
450	0.904	-171	3.58	41	0.012	-35	0.759	-153
500	0.912	-173	3.07	36	0.012	-35	0.783	-155
550	0.918	-174	2.66	32	0.011	-40	0.806	-157
600	0.924	-175	2.33	28	0.009	-40	0.827	-159
650	0.929	-177	2.05	25	0.008	-43	0.843	-161
700	0.933	-178	1.83	22	0.007	-39	0.857	-162
750	0.938	-179	1.64	19	0.006	-42	0.871	-164
800	0.940	-180	1.48	15	0.005	-35	0.882	-165
850	0.943	179	1.33	13	0.005	-27	0.891	-166
900	0.942	179	1.22	10	0.004	-38	0.898	-168
950	0.945	178	1.11	8	0.003	-11	0.906	-169
1000	0.948	177	1.02	5	0.002	10	0.911	-170
1050	0.948	176	0.95	3	0.003	24	0.918	-171
1100	0.950	175	0.89	1	0.004	31	0.920	-172
1150	0.949	174	0.82	-1	0.003	48	0.925	-173
1200	0.949	174	0.77	-3	0.004	63	0.929	-173
1250	0.947	173	0.72	-5	0.005	55	0.932	-174
1300	0.947	172	0.68	-7	0.005	65	0.936	-176
1350	0.948	171	0.64	-10	0.006	72	0.934	-176
1400	0.948	170	0.61	-12	0.006	71	0.937	-177
1450	0.947	170	0.57	-14	0.007	74	0.938	-178
1500	0.943	169	0.54	-16	0.007	88	0.937	-179

8 Package mechanical data

In order to meet environmental requirements, ST offers these devices in different grades of ECOPACK[®] packages, depending on their level of environmental compliance. ECOPACK[®] specifications, grade definitions and product status are available at: www.st.com. ECOPACK[®] is an ST trademark.

Table 15. PowerSO-10RF formed lead (Gull Wing) mechanical data

Dim.	mm.			Inch		
	Min	Typ	Max	Min	Typ	Max
A1	0	0.05	0.1	0.	0.0019	0.0038
A2	3.4	3.5	3.6	0.134	0.137	0.142
A3	1.2	1.3	1.4	0.046	0.05	0.054
A4	0.15	0.2	0.25	0.005	0.007	0.009
a		0.2			0.007	
b	5.4	5.53	5.65	0.212	0.217	0.221
c	0.23	0.27	0.32	0.008	0.01	0.012
D	9.4	9.5	9.6	0.370	0.374	0.377
D1	7.4	7.5	7.6	0.290	0.295	0.298
E	13.85	14.1	14.35	0.544	0.555	0.565
E1	9.3	9.4	9.5	0.365	0.37	0.375
E2	7.3	7.4	7.5	0.286	0.292	0.294
E3	5.9	6.1	6.3	0.231	0.24	0.247
F		0.5			0.019	
G		1.2			0.047	
L	0.8	1	1.1	0.030	0.039	0.042
R1			0.25			0.01
R2		0.8			0.031	
T	2 deg	5 deg	8 deg	2 deg	5 deg	8 deg
T1		6 deg			6 deg	
T2		10 deg			10 deg	

Note: Resin protrusions not included (max value: 0.15 mm per side)

Figure 26. Package dimensions

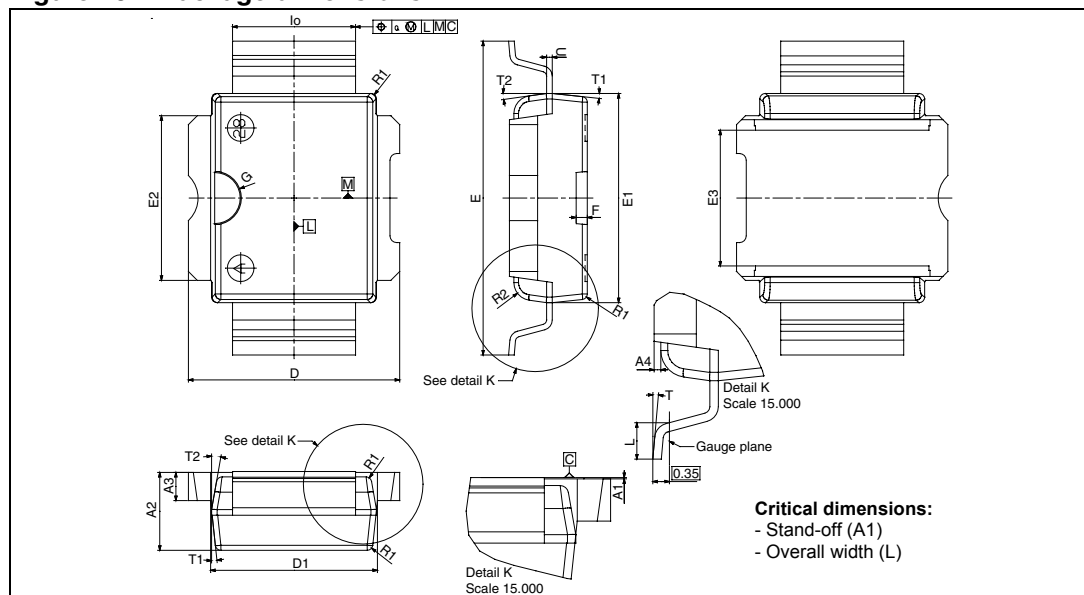


Table 16. PowerSO-10RF straight lead mechanical data

Dim.	mm.			Inch		
	Min	Typ	Max	Min	Typ	Max
A1	1.62	1.67	1.72	0.064	0.065	0.068
A2	3.4	3.5	3.6	0.134	0.137	0.142
A3	1.2	1.3	1.4	0.046	0.05	0.054
A4	0.15	0.2	0.25	0.005	0.007	0.009
a		0.2			0.007	
b	5.4	5.53	5.65	0.212	0.217	0.221
c	0.23	0.27	0.32	0.008	0.01	0.012
D	9.4	9.5	9.6	0.370	0.374	0.377
D1	7.4	7.5	7.6	0.290	0.295	0.298
E	15.15	15.4	15.65	0.595	0.606	0.615
E1	9.3	9.4	9.5	0.365	0.37	0.375
E2	7.3	7.4	7.5	0.286	0.292	0.294
E3	5.9	6.1	6.3	0.231	0.24	0.247
F		0.5			0.019	
G		1.2			0.047	
R1			0.25			0.01
R2		0.8			0.031	
T1		6 deg			6 deg	
T2		10 deg			10 deg	

Note: Resin protrusions not included (max value: 0.15 mm per side)

Figure 27. Package dimensions

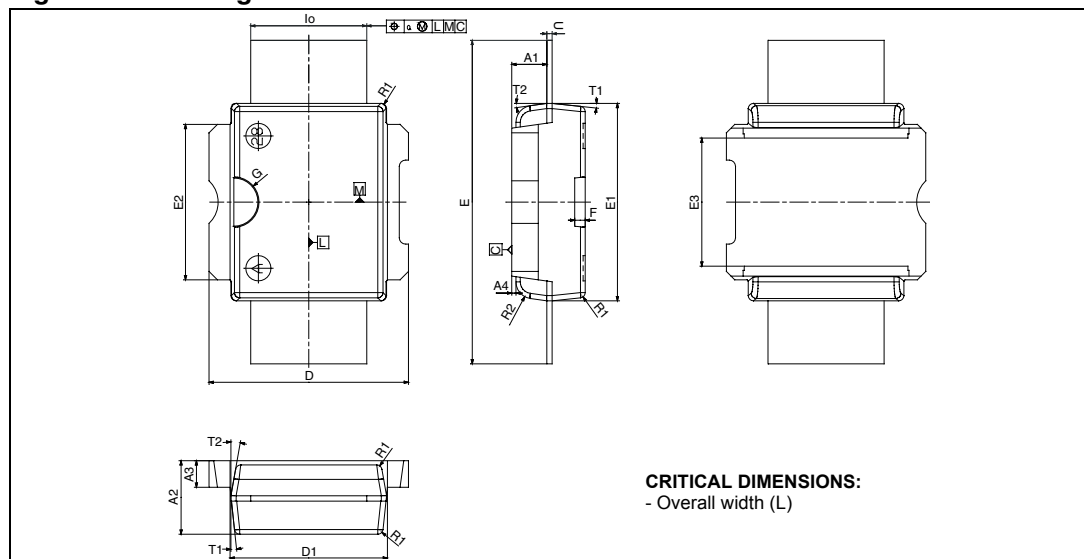


Figure 28. Tube information

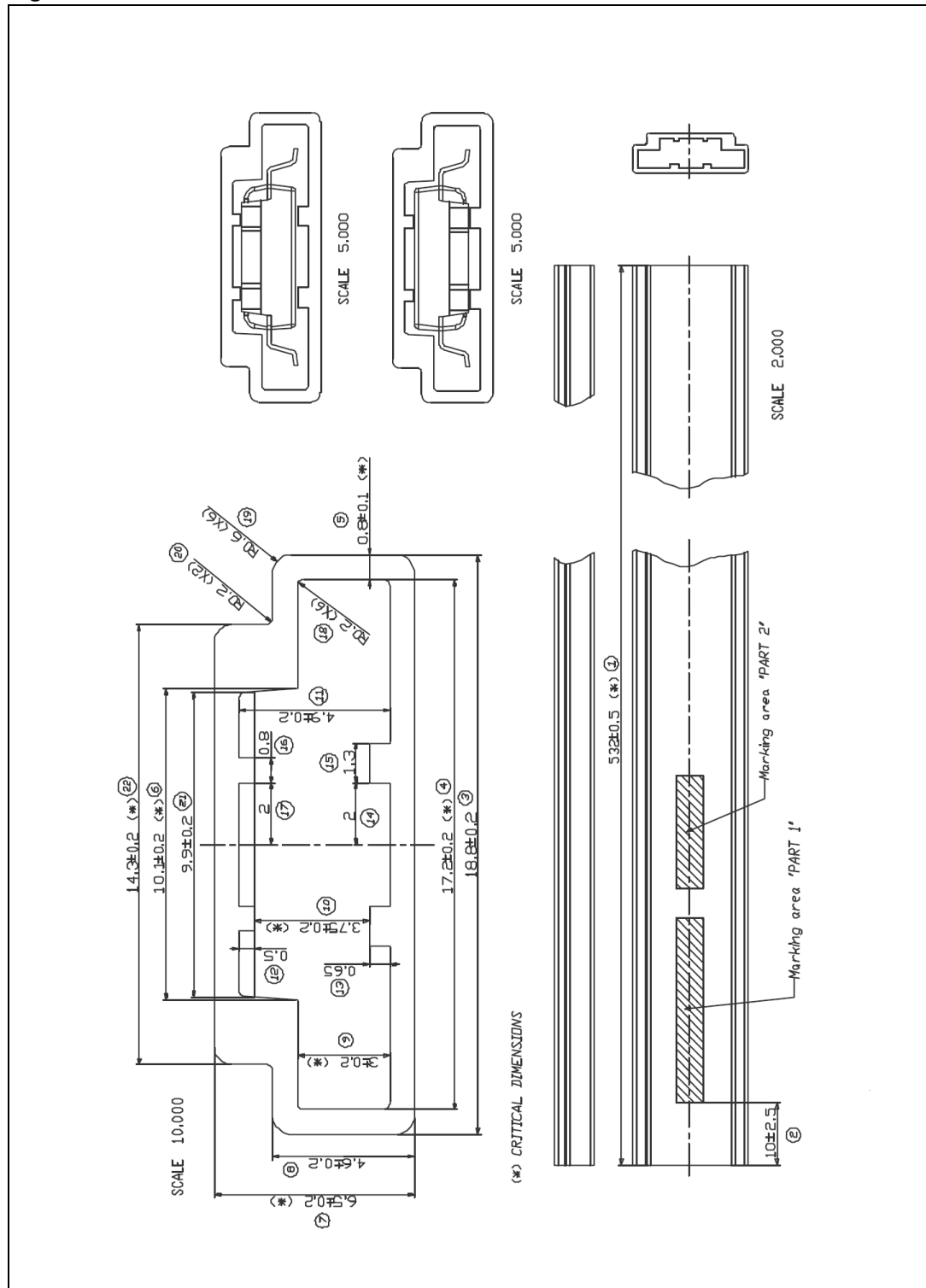
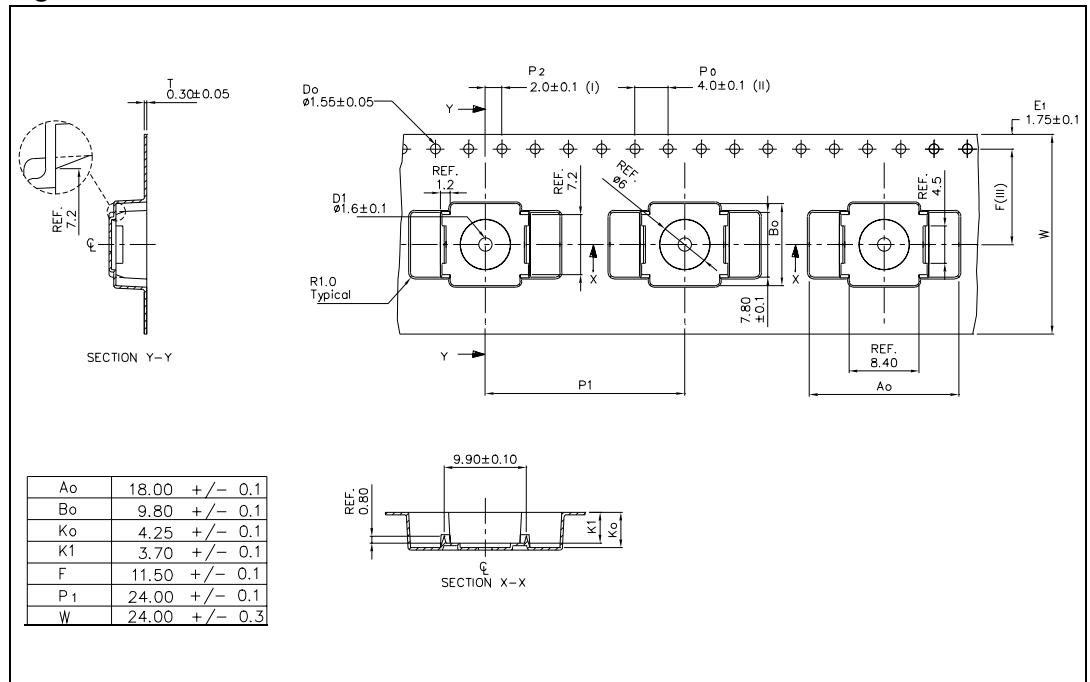


Figure 29. Reel information



9 Revision history

Table 17. Document revision history

Date	Revision	Changes
15-Mar-2006	1	Initial release.
23-Jan-2007	2	Update $V_{GS(Q)}$ in Table 4 .
01-Aug-2007	3	Update $R_{DS(on)}$ in Table 4 on page 4 .
27-May-2010	4	Added: Table 6: Moisture sensitivity level .
24-Dec-2010	5	Content reworked to improve readability

Please Read Carefully:

Information in this document is provided solely in connection with ST products. STMicroelectronics NV and its subsidiaries ("ST") reserve the right to make changes, corrections, modifications or improvements, to this document, and the products and services described herein at any time, without notice.

All ST products are sold pursuant to ST's terms and conditions of sale.

Purchasers are solely responsible for the choice, selection and use of the ST products and services described herein, and ST assumes no liability whatsoever relating to the choice, selection or use of the ST products and services described herein.

No license, express or implied, by estoppel or otherwise, to any intellectual property rights is granted under this document. If any part of this document refers to any third party products or services it shall not be deemed a license grant by ST for the use of such third party products or services, or any intellectual property contained therein or considered as a warranty covering the use in any manner whatsoever of such third party products or services or any intellectual property contained therein.

UNLESS OTHERWISE SET FORTH IN ST'S TERMS AND CONDITIONS OF SALE ST DISCLAIMS ANY EXPRESS OR IMPLIED WARRANTY WITH RESPECT TO THE USE AND/OR SALE OF ST PRODUCTS INCLUDING WITHOUT LIMITATION IMPLIED WARRANTIES OF MERCHANTABILITY, FITNESS FOR A PARTICULAR PURPOSE (AND THEIR EQUIVALENTS UNDER THE LAWS OF ANY JURISDICTION), OR INFRINGEMENT OF ANY PATENT, COPYRIGHT OR OTHER INTELLECTUAL PROPERTY RIGHT.

UNLESS EXPRESSLY APPROVED IN WRITING BY AN AUTHORIZED ST REPRESENTATIVE, ST PRODUCTS ARE NOT RECOMMENDED, AUTHORIZED OR WARRANTED FOR USE IN MILITARY, AIR CRAFT, SPACE, LIFE SAVING, OR LIFE SUSTAINING APPLICATIONS, NOR IN PRODUCTS OR SYSTEMS WHERE FAILURE OR MALFUNCTION MAY RESULT IN PERSONAL INJURY, DEATH, OR SEVERE PROPERTY OR ENVIRONMENTAL DAMAGE. ST PRODUCTS WHICH ARE NOT SPECIFIED AS "AUTOMOTIVE GRADE" MAY ONLY BE USED IN AUTOMOTIVE APPLICATIONS AT USER'S OWN RISK.

Resale of ST products with provisions different from the statements and/or technical features set forth in this document shall immediately void any warranty granted by ST for the ST product or service described herein and shall not create or extend in any manner whatsoever, any liability of ST.

ST and the ST logo are trademarks or registered trademarks of ST in various countries.

Information in this document supersedes and replaces all information previously supplied.

The ST logo is a registered trademark of STMicroelectronics. All other names are the property of their respective owners.

© 2010 STMicroelectronics - All rights reserved

STMicroelectronics group of companies

Australia - Belgium - Brazil - Canada - China - Czech Republic - Finland - France - Germany - Hong Kong - India - Israel - Italy - Japan - Malaysia - Malta - Morocco - Philippines - Singapore - Spain - Sweden - Switzerland - United Kingdom - United States of America

www.st.com



Mouser Electronics

Authorized Distributor

Click to View Pricing, Inventory, Delivery & Lifecycle Information:

[STMicroelectronics:](#)

[PD57018STR-E](#) [PD57018TR-E](#) [PD57018-E](#) [PD57018S-E](#)