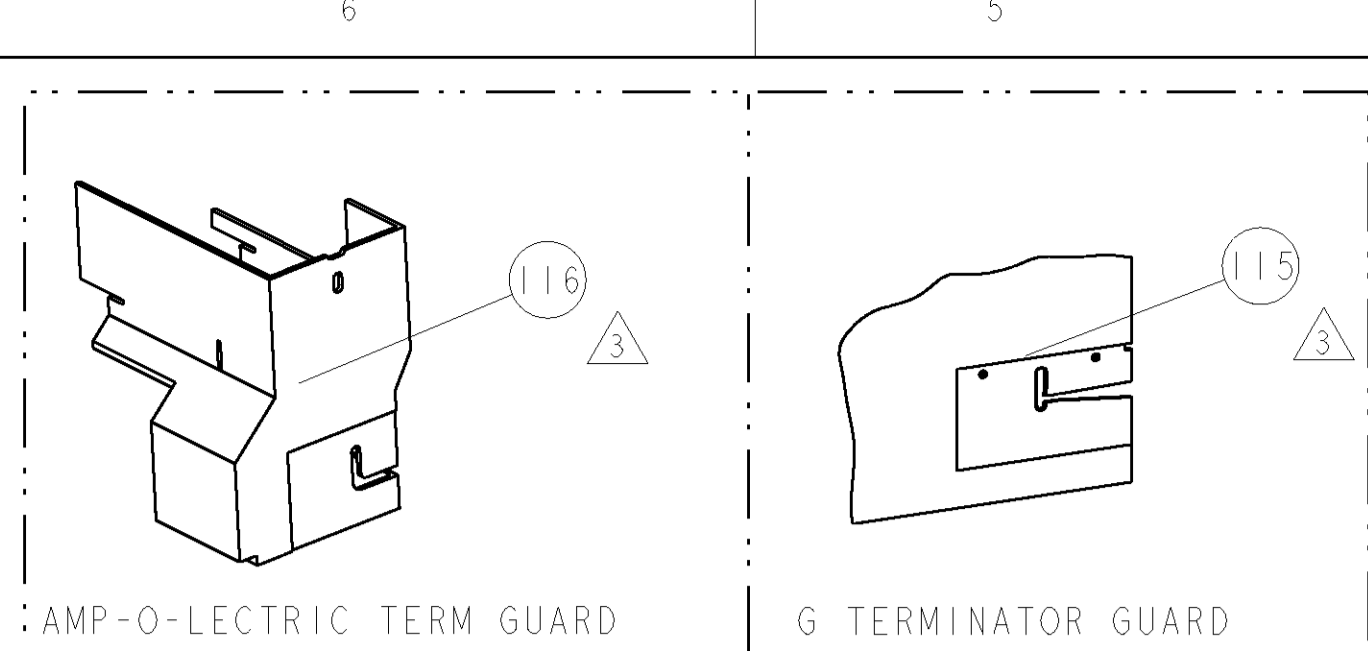


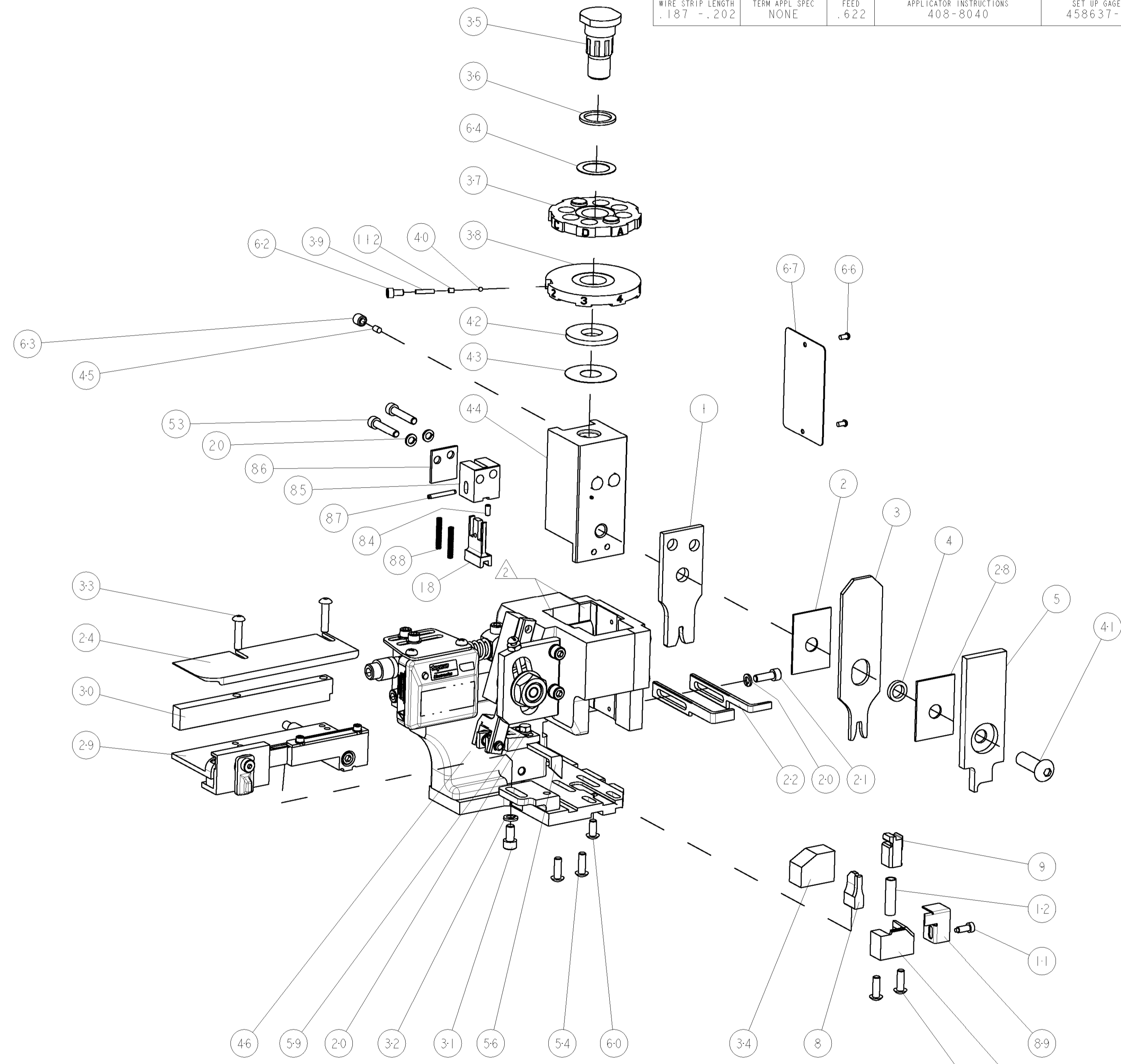
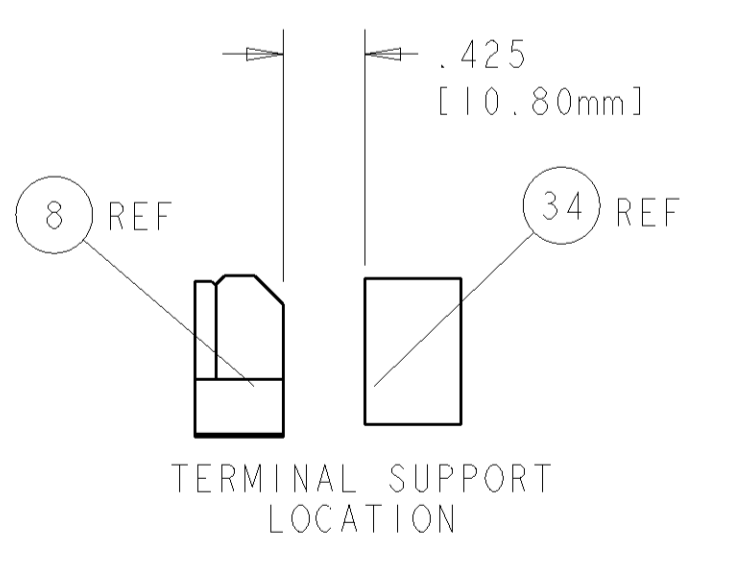
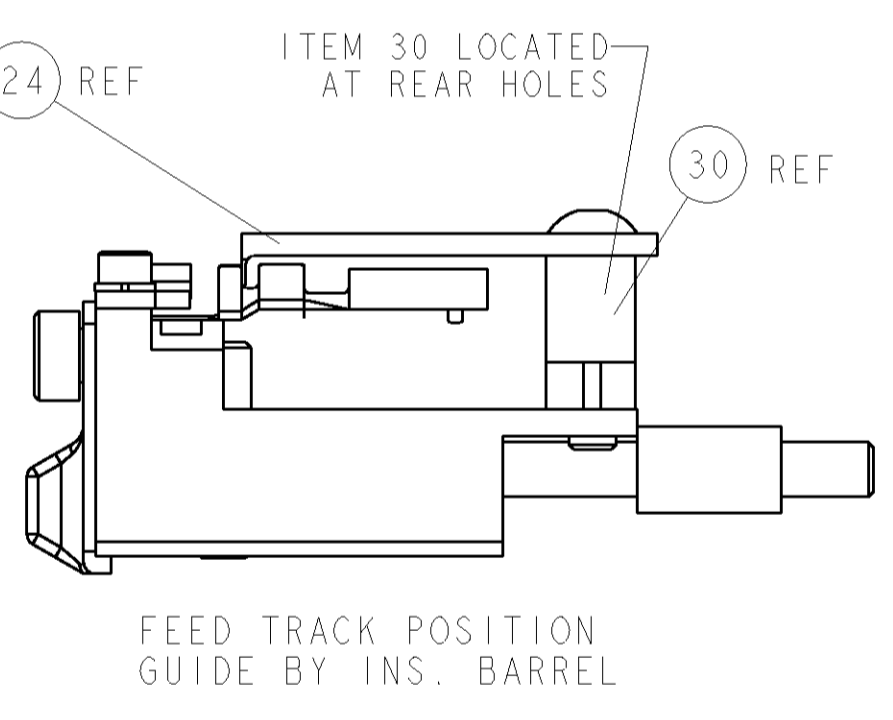
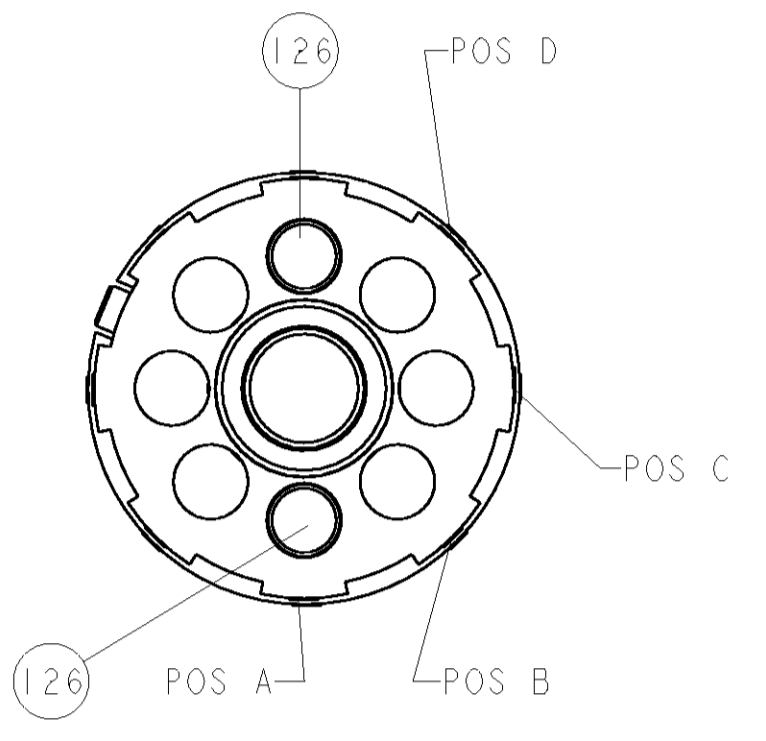
PART NUMBER	REV	FIRST USED	POWER UNIT	FEED TYPE	DESCRIPTION
1852550-1	A	122500-1	LEADMAKER	POST FEED	CUTS CARRIER
1852550-2	A	565435-5	BENCH MODEL K	PRE FEED	CUTS CARRIER
1852550-3	A	354500-1	BENCH MODEL G	PRE FEED	CUTS CARRIER
1852550-6	A	122500-1	LEADMAKER	POST FEED	CONTINUOUS CARRIER
7-1852550-7	A	-	-	-	SPARE PARTS



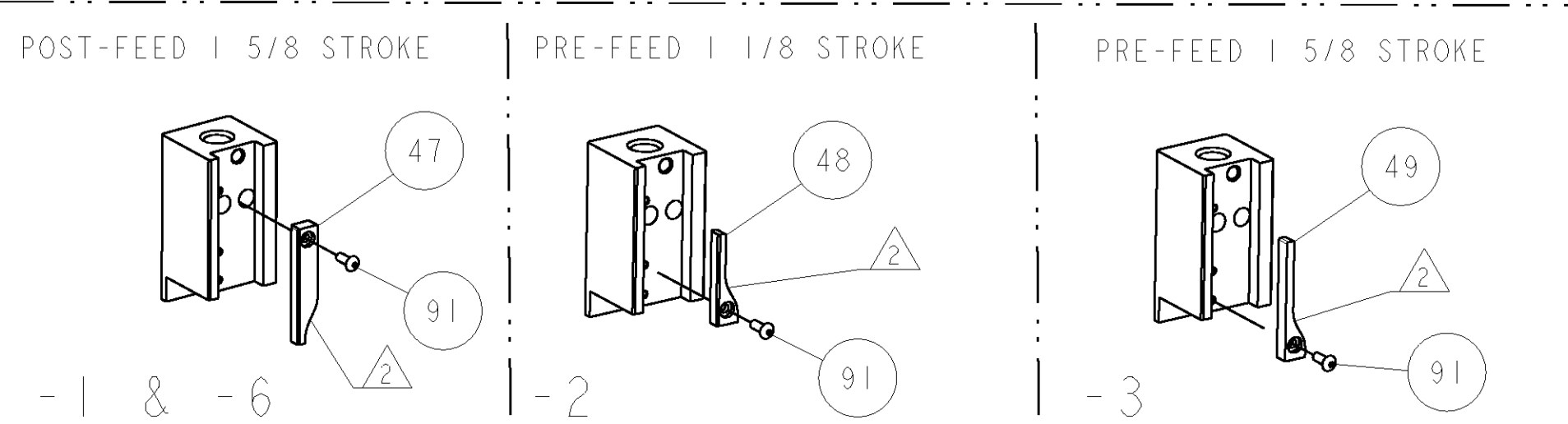
TERMINAL NAME: TERMINAL-MINI-BLADE RCPT(FEMALE)				
SOCKET	PIN	TE TERMINAL - TE CRIMP SPECS		
1438232-3	-	PAD LTR	CRIMP HEIGHT	WIRE SIZE
-	-	A	1.57±0.05mm [.062±.002]	16AWG
-	-	B	-	-
-	-	C	-	-
-	-	D	-	-
SEAL PN.	CRIMP	SIZE	TYPE	RANGE
-	WIRE	2.39mm [.094]	F	16 AWG
-	INSUL	3.48mm [.137]	F	-
WIRE STRIP LENGTH	TERM APPL SPEC	FEED	APPLICATOR INSTRUCTIONS	SET UP GAGE
.187 - .202	NONE	.622	408-8040	458637-1

LOC	DIST	REV	DESCRIPTION	DATE	BY	APPD
A	66	1	RELEASED	05SEP2007	C.C	S.Y

- △ RECOMMENDED SPARE PARTS
- △ GREASE LIGHTLY
- △ GUARD MUST BE IN PLACE WHEN OPERATING APPLICATOR IN A BENCH MACHINE



QTY	REV	DESCRIPTION	DATE	BY	APPD		
- 2	2	2	2	-	1-354779-0	PIN, WIRE DISC, .3040	126
-	-	REF	-	..	455749-1	GUARD WINDOW	116
-	-	REF	-	..	679532-1	INSERT, GUARD	115
-	1	1	1	1	690603-1	SPRING ASSIST AMP-O-MATOR APPLICATOR	112
-	1	1	1	1	1-21002-7	SCR, BTN SKT HD CAP 6-32 X .375	91
-	1	1	1	1	318563-1	GUARD, FRONT CHIP	89
-	2	2	2	2	1-22278-9	SPRING, COMPRESSION	88
-	1	1	1	1	4-21028-0	PIN, SLOTTED SPRING .094 X .750	87
-	1	1	1	1	455053-1	PLATE, RETAINING	86
-	1	1	1	1	455052-1	CARRIER, HOLD DOWN	85
-	1	1	1	1	2-21008-1	SCR, SET, SELF LOCKING 1/4-20 X .250	84
-	1	1	1	1	4088040	SF APPL INST 408-8040	72
-	1	1	1	1	217238-1	GENERAL INSTRUCTION PKG	71
-	1	1	1	1	461264-1	PLATE, IDENTIFICATION	67
-	2	2	2	2	21017-2	SCREW, DRIVE	66
-	1	1	1	1	986950-1	WASHER, FLAT PRECISION	64
-	1	1	1	1	21009-2	SCR, SET, SELF LOCKING 1/4-20 X .250	63
-	1	1	1	1	23030-1	SCR, SKT HD CAP 6-32 x .25	62
-	1	1	1	1	22733-8	SCR, BHSC, SELF-LOCKING, 8-32 X .375	60
-	1	1	1	1	2-22603-0	SCR, HEX HD CAP 8-32 X .312	59
-	1	1	1	1	458537-2	PAWL, FEED	56
-	4	4	4	4	2-21002-2	SCR, BTN SKT HD CAP 8-32 X .500	54
-	2	2	2	2	3-21000-0	SCR, SKT HD CAP 8-32 X .875	53
-	-	-	-	..	690602-6	CAM, PRE FEED, 1 5/8	49
-	-	-	-	..	690602-5	CAM, PRE FEED, 1 1/8	48
-	1	-	-	1	690501-4	CAM, POST FEED, 1 5/8	47
-	1	1	1	1	459456-1	APPL. BASIC SUB ASSY (SIDE WISE MOCA)	46
-	1	1	1	1	690191-1	PLUG, NYLON	45
-	1	1	1	1	1-455673-3	RAM, SIDE FEED	44
-	1	1	1	1	690125-1	SHIM SUB-ASSY	43
-	1	1	1	1	690124-1	WASHER, RAM (.115)	42
-	1	1	1	1	7-21002-9	SCR, BTN SKT HD CAP 5/16-24 X 1.00	41
-	1	1	1	1	23241-6	BALL, STEEL	40
-	1	1	1	1	690170-1	SPRING, COMPRESSION	39
-	1	1	1	1	690142-4	DISC, INSULATION	38
-	1	1	1	1	354777-1	WIRE DISC, ASSEMBLY	37
-	1	1	1	1	22480-5	SPRING, COMPRESSION	36
-	1	1	1	1	690212-1	POST, RAM	35
-	1	1	1	1	690786-3	TERMINAL SUPPORT	34
-	2	2	2	2	2-21002-4	SCR, BTN SKT HD CAP 8-32 X .750	33
-	1	1	1	1	21024-5	WASHER, SPRG LOCK, REG NO 10	32
-	1	1	1	1	3-21000-4	SCR, SKT HD CAP 10-32 X .375	31
-	1	1	1	1	1320908-2	SPACER, STRIP GUIDE	30
-	1	1	1	1	1633091-1	ASSEMBLY, STRIP GUIDE	29
-	1	1	1	1	1-455888-0	SPACER, CRIMPER	28
-	1	1	1	1	1320928-5	PLATE, STRIP GUIDE	24
-	1	-	-	1	690472-2	STRIPPER	22
-	1	1	1	1	2-21000-7	SCR, SKT HD CAP 8-32 X .500	21
-	4	4	4	4	21024-4	WASHER, SPRG LOCK, REG NO 8	20
-	-	-	-	-	690472-1	STRIPPER	19
-	1	1	1	1	8-1338389-7	HOLD DOWN, TERMINAL	18
-	1	1	1	1	679625-1	SHEAR HOLDER, FRONT (NO CUT)	13
-	1	1	1	1	3-22280-3	SPRING, COMPRESSION	12
-	1	1	1	1	690461-1	STOP, SHEAR	11
-	-	-	-	-	690459-1	SHEAR HOLDER, FRONT	10
-	1	1	1	1	454276-1	FLOATING SHEAR, FRONT	9
-	1	1	1	1	4-1633535-1	ANVIL, COMBINATION	8
-	-	-	-	..	-	-	7
-	-	-	-	..	-	-	6
-	1	1	1	1	1-455889-4	DEPRESSOR, SHEAR	5
-	1	1	1	1	238011-4	BLOCK, CRIMPER SPACER	4
-	1	1	1	1	6-1633471-1	CRIMPER, INSULATION F	3
-	1	1	1	1	455888-8	SPACER, CRIMPER	2
-	1	1	1	1	1-568176-1	CRIMPER, WIRE	1



DIMENSIONS: INCHES		TOLERANCES UNLESS OTHERWISE SPECIFIED:		DWG: C.CHEN 05SEP2007		EKG: S.ZOU 05SEP2007		APD: S.YABE 05SEP2007		NAME: SIDE FEED HDM APPLICATOR	
0 PLC	±	1 PLC	±0.1	2 PLC	±0.01	3 PLC	±0.001	4 PLC	±0.0001	ANGLE	±0.0001
MATERIAL		FINISH		WEIGHT		SIZE: CAGE CODE: DRAWING NO: A1 00779 C=1852550		RESTRICTED TO		SCALE: 3:5 SHEET 1 OF 1 REV A	

CUSTOMER VIEWABLE ASSEMBLY

Mouser Electronics

Authorized Distributor

Click to View Pricing, Inventory, Delivery & Lifecycle Information:

[TE Connectivity:](#)

[1852550-3](#)