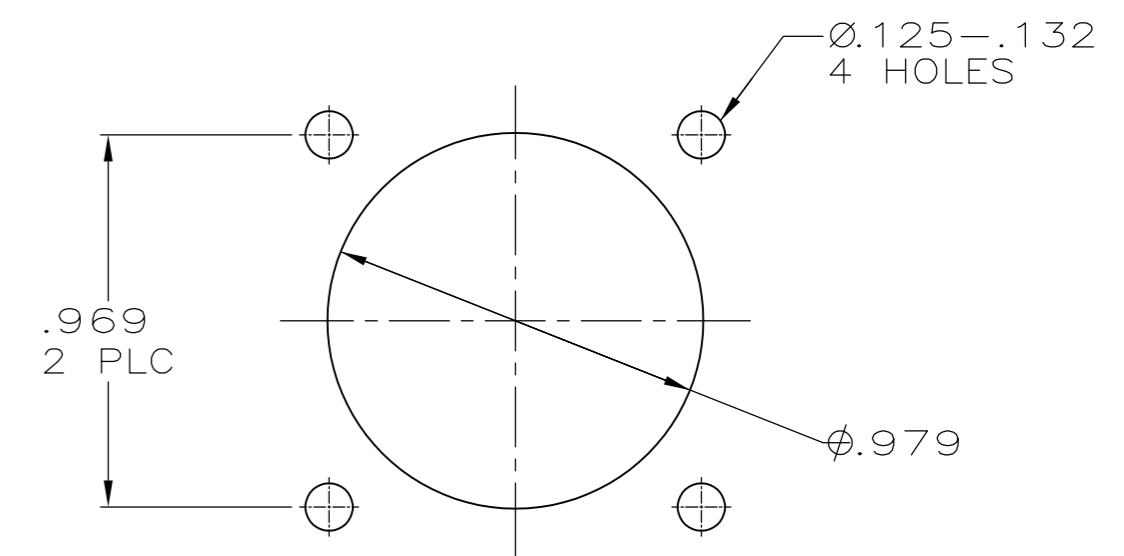
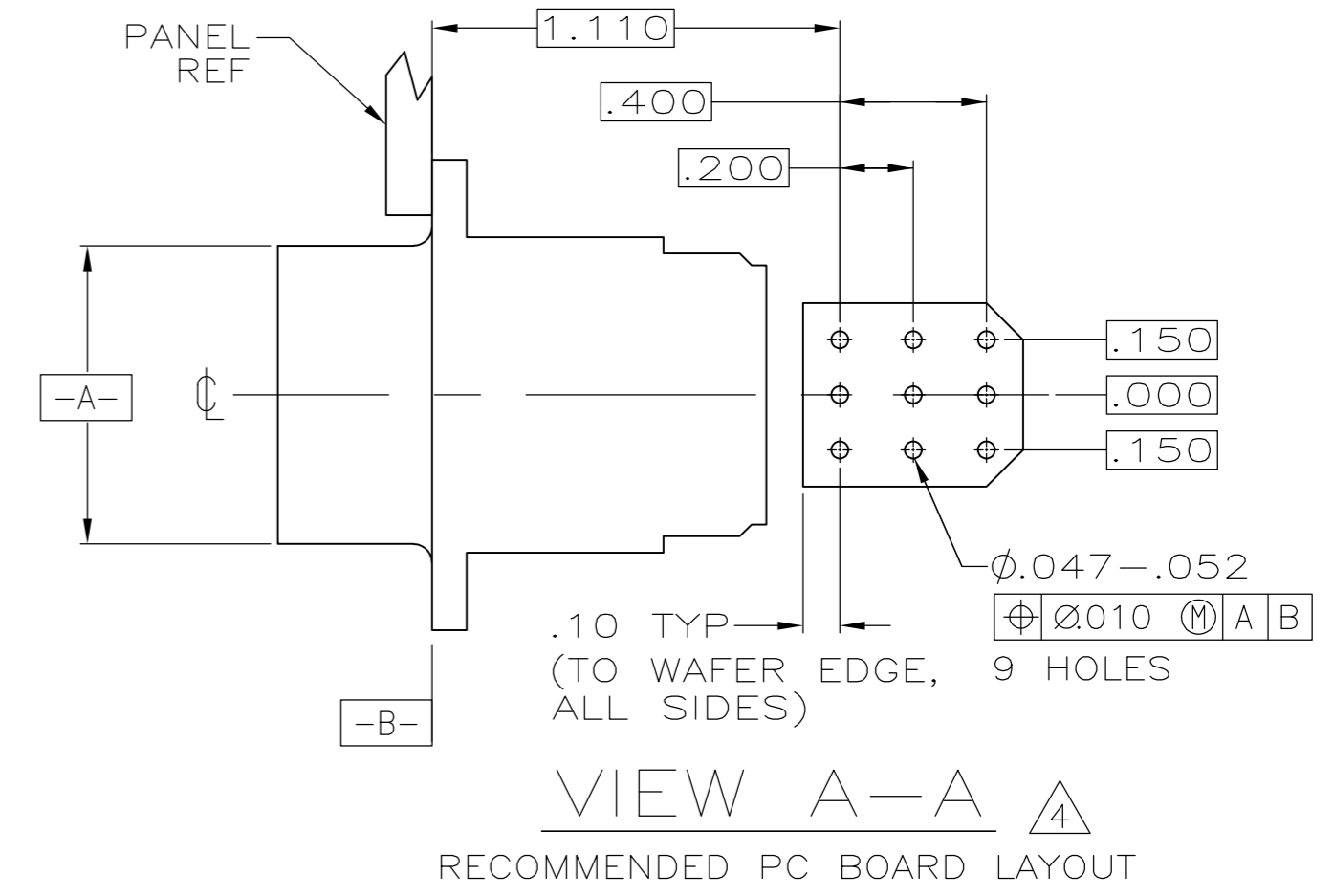
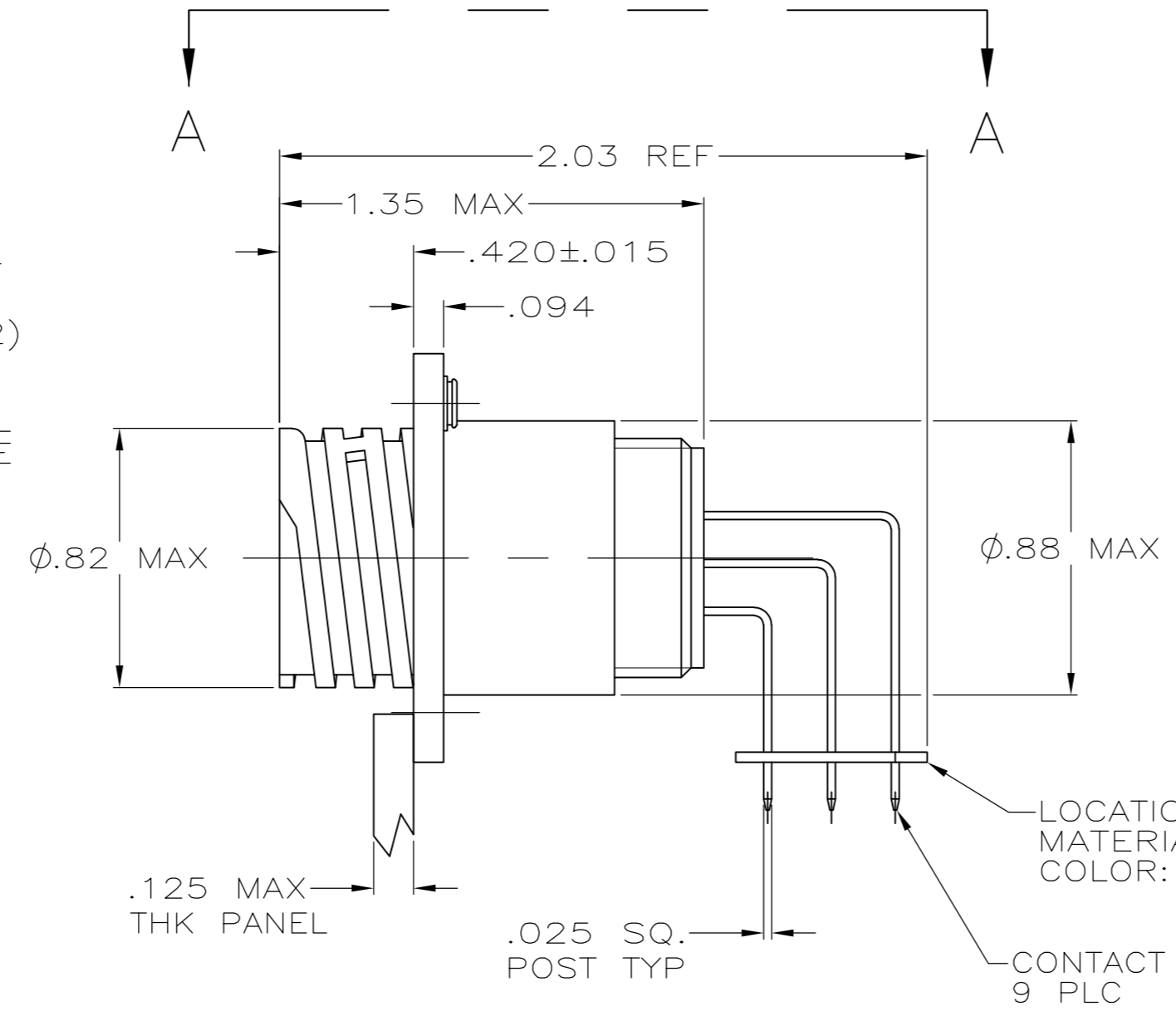
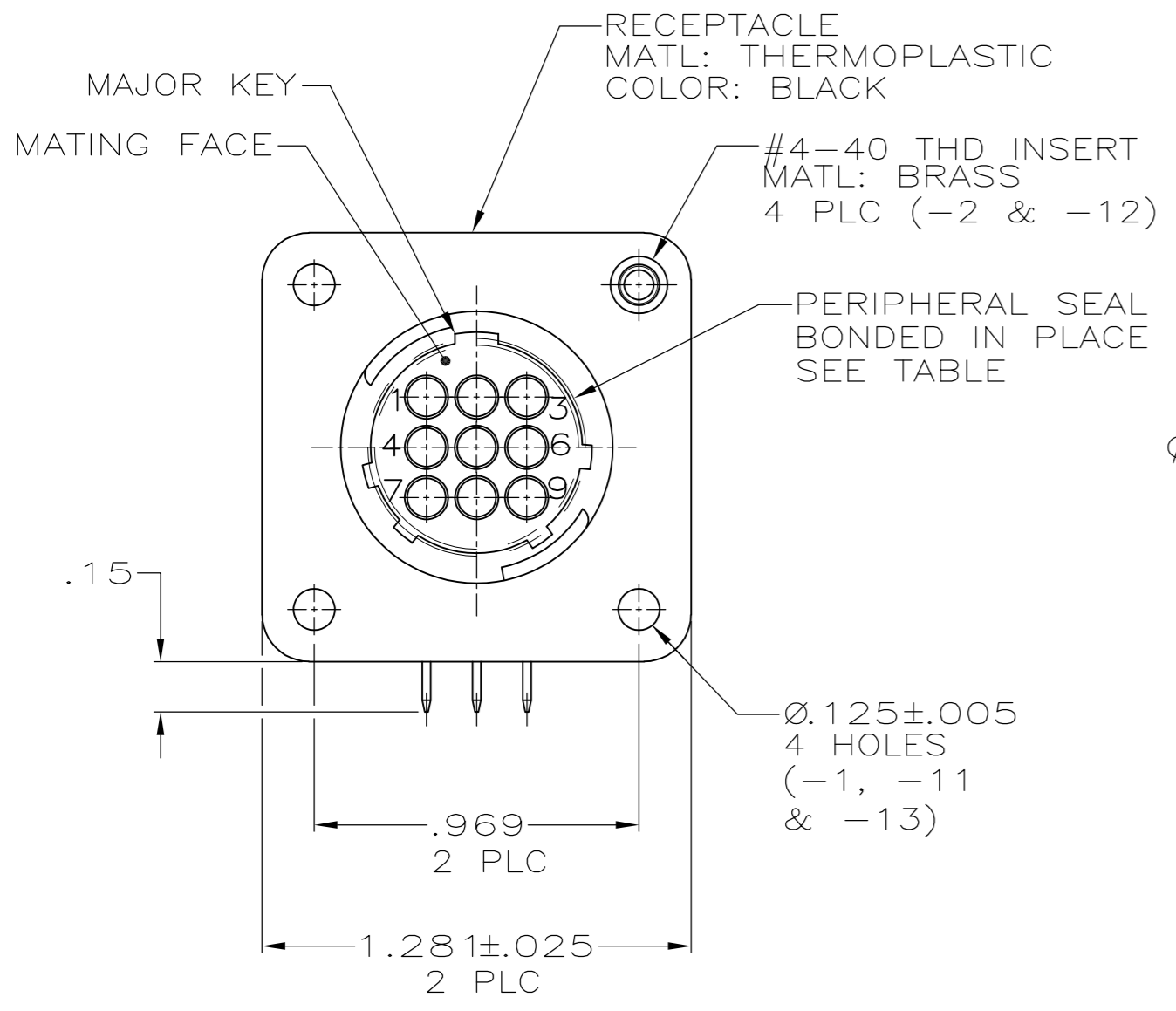


THIS DRAWING IS UNPUBLISHED. RELEASED FOR PUBLICATION  
 © COPYRIGHT - By - ALL RIGHTS RESERVED.

REVISIONS				
P	LTR	DESCRIPTION	DATE	APVD
F1		REVISED PER ECO-16-004800	10SEP2016	NK MZ



RECOMMENDED  
 PANEL CUTOUT

- 1 CONTACT CAVITIES IDENTIFIED BY CHARACTERS ON FRONT AND REAR FACES OF CONNECTOR.
- 2 #4 FASTENER RECOMMENDED FOR -1 MOUNTING.  
#4 FASTENER REQUIRED FOR -2 MOUNTING.
- 3 CONTACT BODY: .000030 MIN GOLD FOR A LENGTH OF .250 MIN FROM MATING END, WITH REMAINDER TO BE GOLD FLASH, BOTH OVER .000050 MIN NICKEL.  
CONTACT POST: .000100 MIN TIN-LEAD OVER .000100 MIN COPPER.
- 4 PC BOARD HOLE PATTERN IS DEFINED RELATIVE TO CONNECTOR C.L. AND PANEL MOUNTING FACE INDICATED.
- 5 CONTACT BODY: .000030 MIN GOLD FOR A LENGTH OF .250 MIN FROM MATING END, WITH REMAINDER TO BE GOLD FLASH, BOTH OVER .000050 MIN NICKEL.  
CONTACT POST: .000100 MIN TIN OVER .000100 MIN COPPER.

OBSOLETE	5	YES	W/O INSERTS	<del>1-796375-3</del>
	5	NO	W/INSERTS	1-796375-2
	5	NO	W/O INSERTS	1-796375-1
OBSOLETE	3	YES	W/O INSERTS	<del>796375-3</del>
OBSOLETE	3	NO	W/INSERTS	<del>796375-2</del>
	3	NO	W/O INSERTS	796375-1
		CONTACT FINISH	SEAL	CONFIG.
				PART NUMBER

THIS DRAWING IS A CONTROLLED DOCUMENT.

DIMENSIONS: INCHES	TOLERANCES UNLESS OTHERWISE SPECIFIED:	DWN HAMNER 2-19-00	
	0 PLC ± -	CHK M.CHACKO 2-23-00	
	1 PLC ± -	APVD M.CHACKO 2-23-00	
	2 PLC ± .03	NAME	
	3 PLC ± .010	PRODUCT SPEC	RECEPTACLE ASSY, POSTED, RT ANGLE, STD SEX, SIZE 13-9, SERIES 1, CPC
	4 PLC ± -	APPLICATION SPEC	SIZE CAGE CODE DRAWING NO RESTRICTED TO
	ANGLES ± -	WEIGHT	A2 00779 C=796375
MATERIAL	FINISH	CUSTOMER DRAWING	SCALE 2:1 SHEET 1 OF 1 REV F1

# Mouser Electronics

Authorized Distributor

Click to View Pricing, Inventory, Delivery & Lifecycle Information:

[TE Connectivity:](#)

[1-796375-1](#)