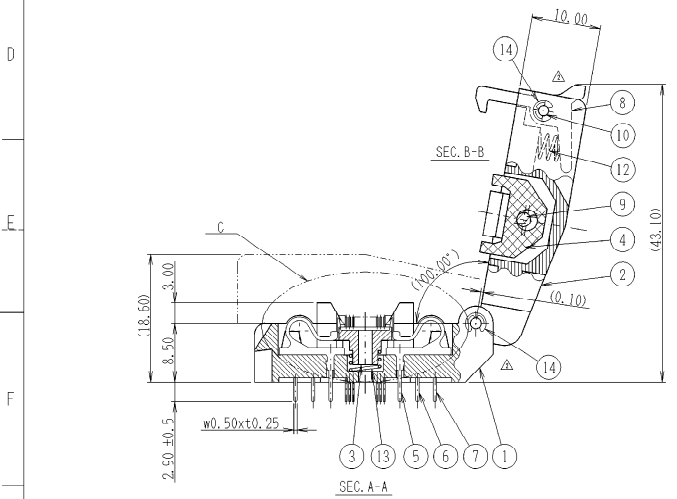
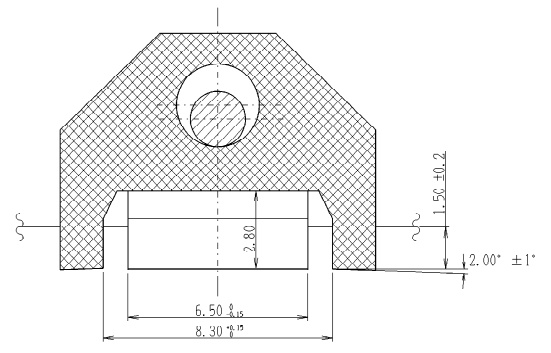
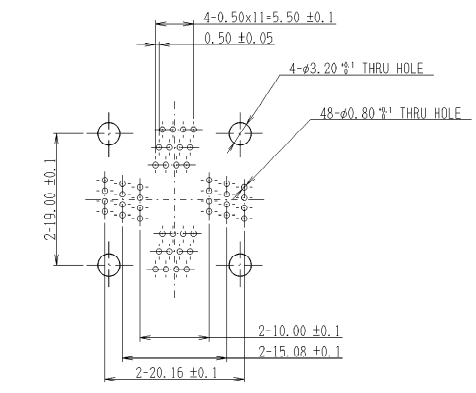
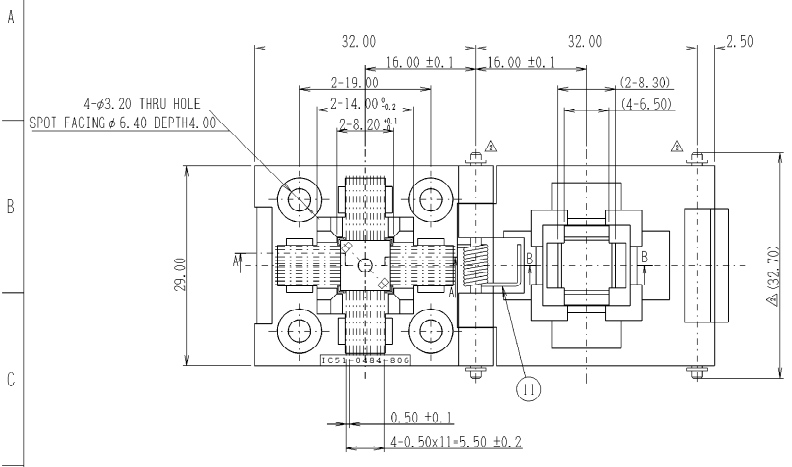


Please consult factory to verify latest revision.

No. x QTY.	REVISION DESCRIPTION	APP.	CHK.	DSGN.	Mo - D - Yr	Decision Change #
△ x 2	Part change.	KATO		Y. K.	2-19-93	E 93-0325
△ x 9	Part change and added.	T. K.		Y. N.	9-20-94	E 94-1654
△ x						
△ x						
△ x						

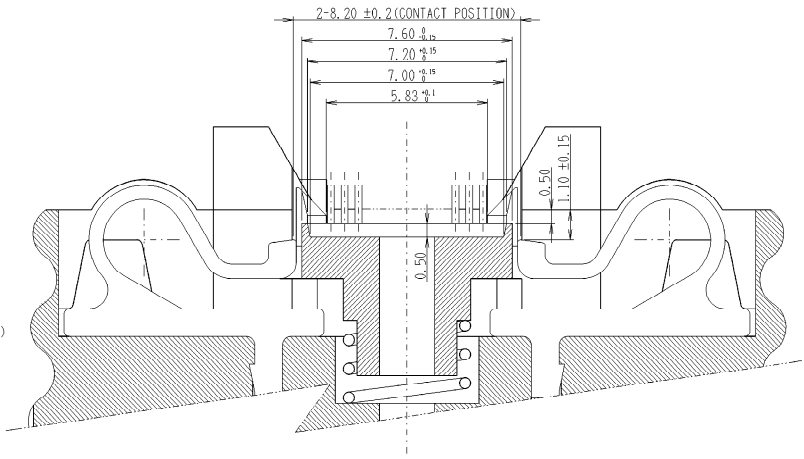
This is the English version drawing, please note all Japanese text has been removed. Please consult factory for latest revision.



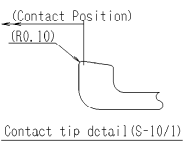
ORDERING CODE:
 IC51-0484-806
 DESIGN NUMBER
 CONTACT SIDES
 PIN COUNT
 SERIES DESCRIPTION NUMBER
 IC SOCKET

NOTE
 1. This document defines specifications for IC51-0484-806.
 2. Original part and drawing number IC51-0484-806 (KL-8512-1)
 3. Ordering identification. IC51-0484-806

SPECIFICATION
 △ 1. Insulation Resistance: 1000MΩ or more at 100VDC.
 △ 2. Dielectric Withstanding Voltage: 100VAC for one minute.
 3. Contact Resistance: 30mΩ or less at 10mA, 20mV. (initial)
 4. Operating Temperature: -55°C ~ +170°C
 5. Contact Force: 0.29N (30gf)~1.96N (200gf) within contact travel distance between 0.2mm~0.8mm.



DETAIL C (Detail dimension of IC positioning base) (S=FREE)



ITEM	DESCRIPTION	QTY.	MATERIAL	CONTENT	PART IDENT
△ 14	E SHAPE LOCKING RING	4	E1.2		Standard Product
13	COIL SPRING TYPE-36	1	SUS DIA. 0.4		SM-11751
12	COIL SPRING TYPE-11	1	SUS DIA. 0.3		SM-11332
11	COIL SPRING TYPE-23	1	SUS DIA. 0.5		SM-11581
10	P-SHAFT TYPE-69	2	SUS 303 DIA. 1.5 L=29.7		SL-12067
9	M-SHAFT TYPE-07	1	BS DIA. 2.0 L-29.0	Ni-PL	SL-7575
8	SNAP SEGMENT-26 RW	1	PPS	BLACK	SL-9531
7		-C	16		
6	Contact 494	-B	16	8eCu t0.25	Ni-Au PL (B Class) SM-11567
5		-A	16		
4	IC51-0484-806 #PL	1	PES(GF)	BLACK	SL-10100
3	IC51-0484-806 #LB	1	PEI(GF)	BLACK	SL-10099
2	IC51-0484-806 #PP	1	PES(GF)	BLACK	SL-10098
1	IC51-0484-806 #IN	1	PES(GF)	BLACK	SL-10097

DU-2204						YAMAICHI ELECTRONICS USA, INC.	
TOLERANCES: ± 0.3						(CLASS) VQFP-p0.5-48P	
Unless otherwise specified						(TITLE) IC51-0484-806	
SCALE 2/1	APP.	APP.	CHK.	DRW.	DSGN.	(DRW. NO.)	Sheet No. /
DIMENSION	mm	2-25-02	2-21-02	2-21-02	2-21-02	YEU-A0220	REV. G
3RD. ANGLE PROJECTION	1/1W	ALL	ACQ	ACQ			A7-F0005-01-07

Mouser Electronics

Authorized Distributor

Click to View Pricing, Inventory, Delivery & Lifecycle Information:

[Yamaichi Electronics:](#)

[IC51-0484-806](#)