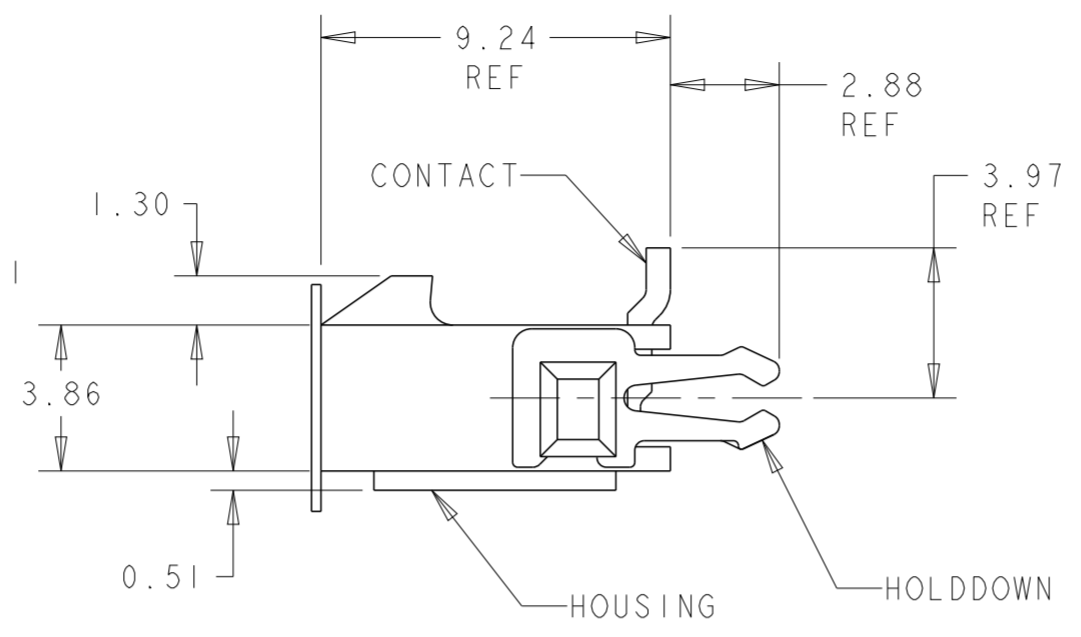
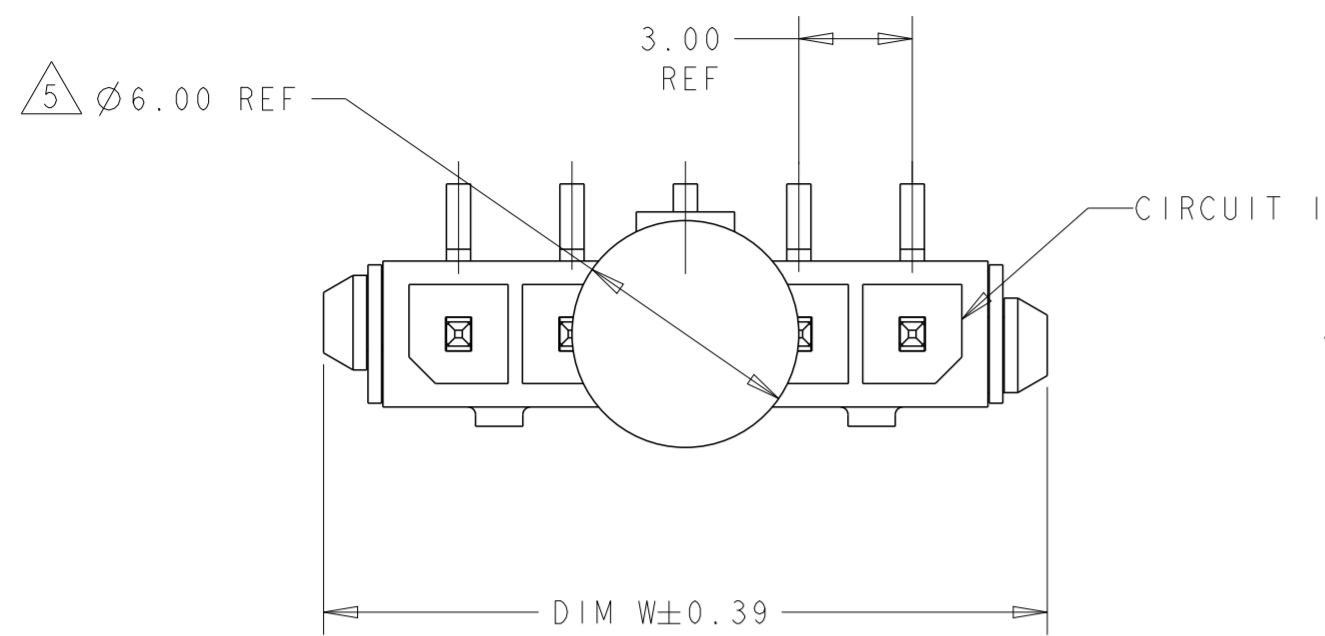
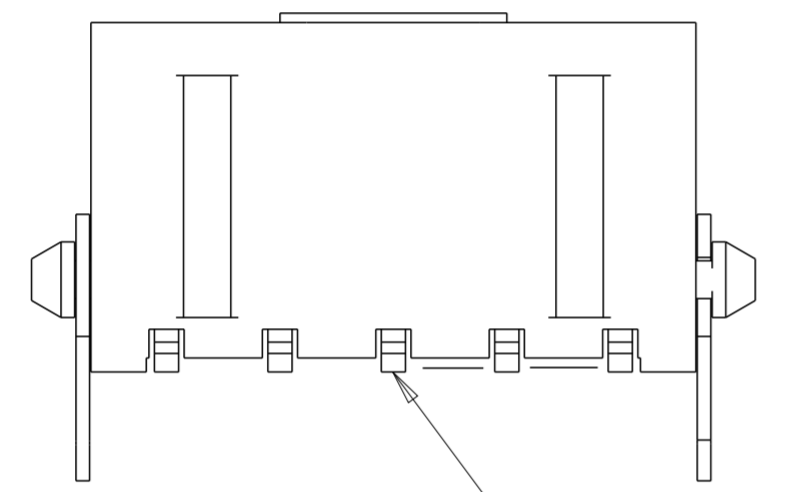


THIS DRAWING IS UNPUBLISHED. RELEASED FOR PUBLICATION 20  
 © COPYRIGHT 20 BY - ALL RIGHTS RESERVED.

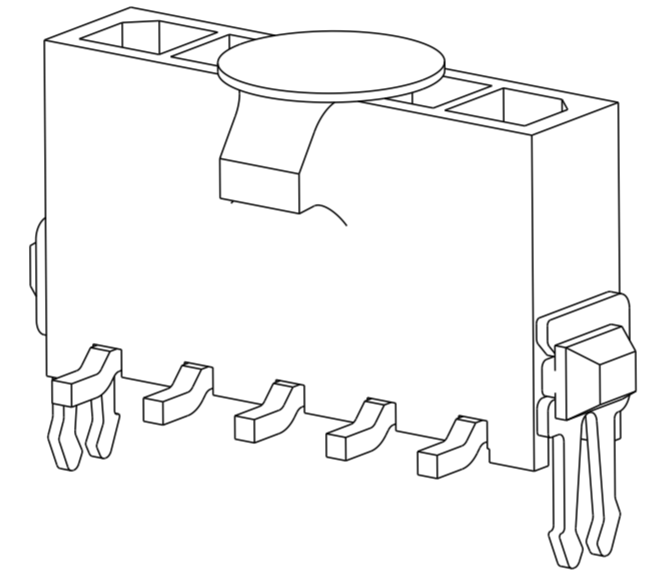
REVISIONS					
P	LTR	DESCRIPTION	DATE	DWN	APVD
	C2	REVISED PER ECR-16-011494	20JUN2017	NK	CX



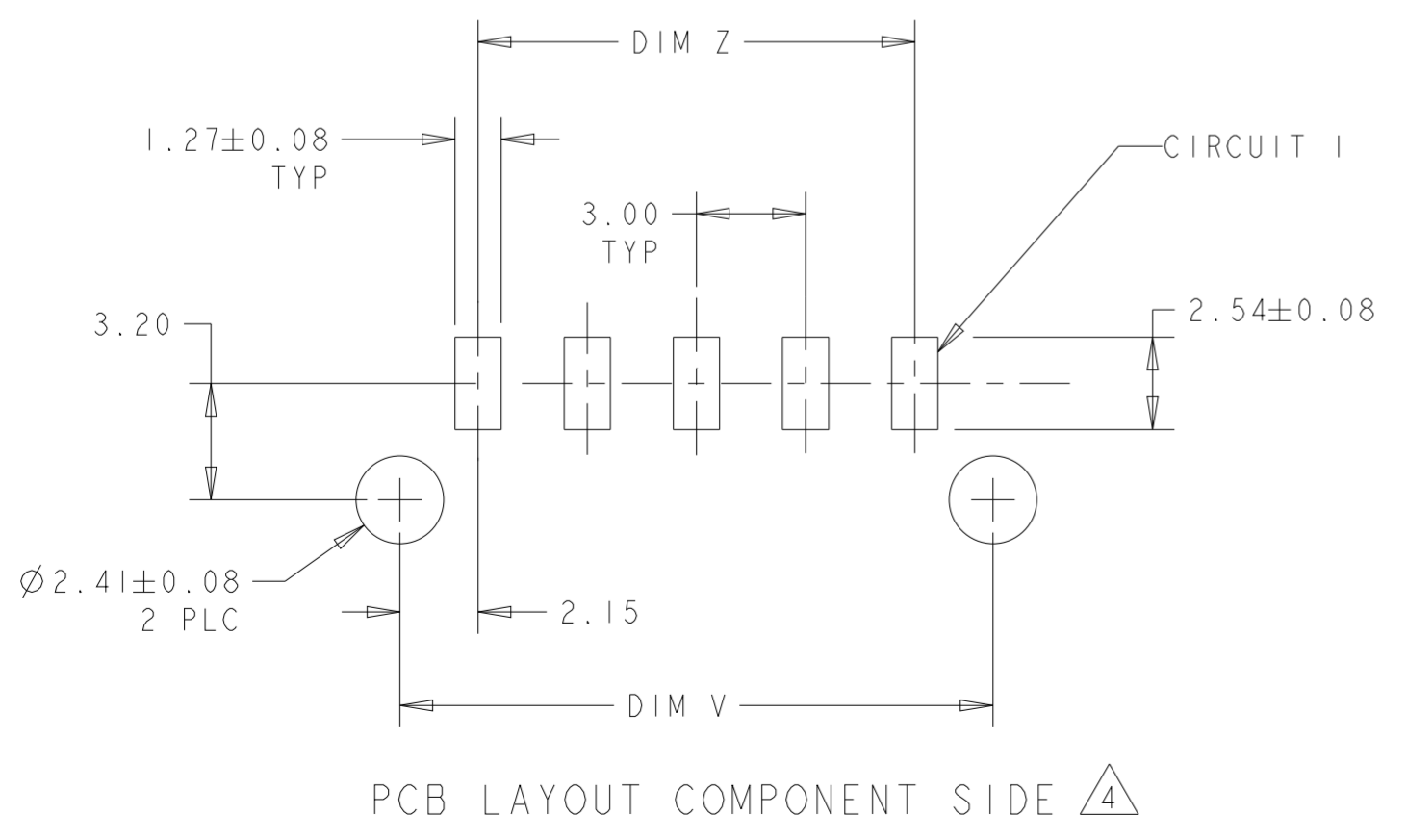
- 1 MATERIAL: CONTACTS - BRASS  
HOUSING - UL 94V-0 RATED HIGH TEMP NYLON, COLOR BLACK.  
HOLDDOWNS: - PHOSPHOR BRONZE.
- 2 PLATING: CONTACTS - 2.54µm MINIMUM TIN-LEAD OVER 1.27µm MINIMUM NICKEL.  
HOLDDOWNS: 2.54µm MINIMUM TIN-LEAD OVER 1.27µm MINIMUM NICKEL.
- 4 RECOMMENDED PC BOARD THICKNESS OF 1.57.
- 5 KAPTON VACUUM PICK UP BUTTON.
- 6 PLATING: CONTACTS - 2.54µm MINIMUM MATTE TIN OVER 1.27µm MINIMUM NICKEL.  
HOLDDOWNS: 2.54µm MINIMUM MATTE TIN OVER 1.27µm MINIMUM NICKEL.



0.15  
INCLUDES CONTACT TAILS AND HOUSING STANDOFFS



6	33.00	37.43	40.00	12	3-1445052-2		
6	30.00	34.43	37.00	11	3-1445052-1		
6	27.00	31.43	34.00	10	3-1445052-0		
6	24.00	28.43	31.00	9	2-1445052-9		
6	21.00	25.43	28.00	8	2-1445052-8		
6	18.00	22.43	25.00	7	2-1445052-7		
6	15.00	19.43	22.00	6	2-1445052-6		
6	12.00	16.43	19.00	5	2-1445052-5		
6	9.00	13.43	16.00	4	2-1445052-4		
6	6.00	10.43	13.00	3	2-1445052-3		
6	3.00	7.43	10.00	2	2-1445052-2		
SUPERSEDED BY 3-1445052-2		2	33.00	37.43	40.00	12	1445052-2
SUPERSEDED BY 3-1445052-1		2	30.00	34.43	37.00	11	1445052-1
SUPERSEDED BY 3-1445052-0		2	27.00	31.43	34.00	10	1445052-0
SUPERSEDED BY 2-1445052-9		2	24.00	28.43	31.00	9	1445052-9
SUPERSEDED BY 2-1445052-8		2	21.00	25.43	28.00	8	1445052-8
SUPERSEDED BY 2-1445052-7		2	18.00	22.43	25.00	7	1445052-7
SUPERSEDED BY 2-1445052-6		2	15.00	19.43	22.00	6	1445052-6
SUPERSEDED BY 2-1445052-5		2	12.00	16.43	19.00	5	1445052-5
SUPERSEDED BY 2-1445052-4		2	9.00	13.43	16.00	4	1445052-4
SUPERSEDED BY 2-1445052-3		2	6.00	10.43	13.00	3	1445052-3
SUPERSEDED BY 2-1445052-2		2	3.00	7.43	10.00	2	1445052-2
FINISH			DIM Z	DIM V	DIM W	NO. OF POSN	PART NUMBER



PCB LAYOUT COMPONENT SIDE 4

THIS DRAWING IS A CONTROLLED DOCUMENT. DWN J. ROOT 07OCT2000  
 CHK K. WHITAKER 20-FEB-2001  
 APVD C. JONES 20-FEB-2001

**STE** TE Connectivity

NAME VERTICAL SURFACE MOUNT HEADER ASSY  
 TIN CONTACTS, W/THRU HOLE HOLDDOWNS,  
 SINGLE ROW, MICRO MATE-N-LOK™

SIZE A2 CAGE CODE 00779 DRAWING NO. C-1445052 RESTRICTED TO -  
 WEIGHT - SCALE 5:1 SHEET 1 OF 1 REV C2

MATERIAL SEE TABLE

DIMENSIONS: mm  
 TOLERANCES UNLESS OTHERWISE SPECIFIED:  
 0 PLC ±  
 1 PLC ±  
 2 PLC ±0.13  
 3 PLC ±  
 4 PLC ±  
 ANGLES ±  
 FINISH

PRODUCT SPEC -  
 APPLICATION SPEC -  
 WEIGHT -

CUSTOMER DRAWING

# Mouser Electronics

Authorized Distributor

Click to View Pricing, Inventory, Delivery & Lifecycle Information:

[TE Connectivity:](#)

[2-1445052-4](#)