

THIS DRAWING IS UNPUBLISHED. RELEASED FOR PUBLICATION 20
 © COPYRIGHT 20 BY TYCO ELECTRONICS CORPORATION. ALL RIGHTS RESERVED.

| LOC | DIST | REVISIONS | | | | | |
|-----|------|-----------|-----|-------------|------|-----|------|
| GP | 00 | P | LTR | DESCRIPTION | DATE | DWN | APVD |
| | | - | | SEE SHEET 1 | | | |



RIGHT ANGLE, ExpressModule
 PCB LAYOUT
 SCALE 5:1

6 MANUFACTURING TOLERANCE FOR $\varnothing 0.70 \pm 0.05$
 DIAMETER FINISHED HOLE WITH SnPB PLATING:
 DRILLED HOLE = $\varnothing 0.79 \pm 0.02$
 COPPER PLATING = 0.025-0.050
 SnPB PLATING = 0.0038-0.0124
 OR $\varnothing 0.715 \pm 0.050$ FINISHED HOLE WITHOUT SnPB PLATING
 DRILLED HOLE = $\varnothing 0.79 \pm 0.02$
 COPPER PLATING = 0.025-0.050

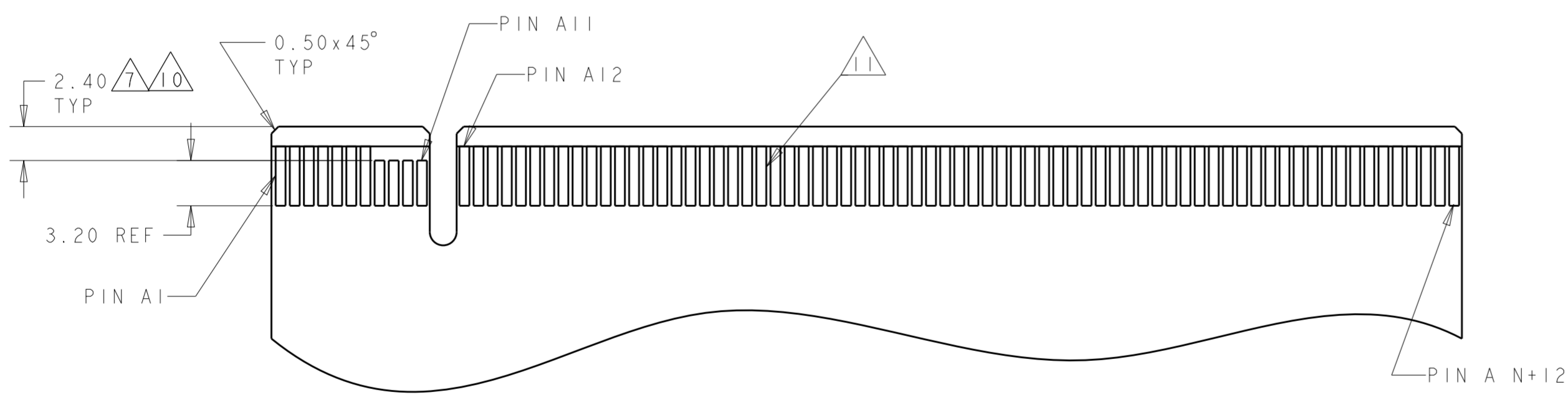
| | | | | |
|--|--|-----------------------------------|--|-------------------------|
| THIS DRAWING IS A CONTROLLED DOCUMENT FOR TYCO ELECTRONICS CORPORATION IT IS SUBJECT TO CHANGE AND THE CONTROLLING ENGINEERING ORGANIZATION SHOULD BE CONTACTED FOR THE LATEST REVISION. | | DWN R. TREA 09SEP2004 | Tyco Electronics Harrisburg, PA 17105-3608 | |
| DIMENSIONS: mm | | CHK D. DEEIBAUGH 09SEP2004 | NAME PCI EXPRESS CARD EDGE CONNECTOR ASSEMBLY RIGHT ANGLE, 5.8mm SLOT HEIGHT THROUGH HOLE, ExpressModule TYPE | |
| TOLERANCES UNLESS OTHERWISE SPECIFIED: 0 PLC ± 1 PLC ±0.5 2 PLC ±0.13 3 PLC ±0.013 4 PLC ± ANGLES ±2° FINISH | | APVD D. DEEIBAUGH 09SEP2004 | PRODUCT SPEC APPLICATION SPEC WEIGHT CUSTOMER DRAWING | |
| MATERIAL | | SIZE A2 | CAGE CODE 00779 | DRAWING NO C-1761465 |
| | | SCALE 4:1 | | SHEET 2 OF 3 |
| | | | | REV C |

THIS DRAWING IS UNPUBLISHED. RELEASED FOR PUBLICATION 20
 © COPYRIGHT 20 BY TYCO ELECTRONICS CORPORATION. ALL RIGHTS RESERVED.

| LOC | DIST | REVISIONS | | | | | |
|-----|------|-----------|-----|-------------|------|-----|------|
| GP | 00 | P | LTR | DESCRIPTION | DATE | DWN | APVD |
| | | - | | SEE SHEET 1 | | | |



SEE SHEET 1



- 7 DIMENSION ONLY APPLIES TO "LAST MATE" PINS.
- 8 CARD THICKNESS APPLIES ACROSS PAD SURFACES AND INCLUDES PLATING AND/OR METALIZATION.
- 9 CHAMFER EDGES MUST BE FREE OF CUTTING BURRS.
- 10 NO TIE BAR PERMITTED FROM CARD EDGE TO LEADING EDGE OF "LAST MATE" PADS.
- 11 GOLD CONTACT PADS: ELECTROLESS GOLD PLATE 0.76µm MIN THICK OVER ELECTROLESS NICKEL PLATING 2µm MIN THICK.
- 12. PC BOARD SUPPLIER IS RESPONSIBLE FOR MAINTAINING ALL DIMENSIONS OF PC BOARD EDGE.
- 13 FLATNESS REQUIREMENT APPLIES FROM EDGE OF PC BOARD TO TOP OF KEY

ExpressModule LAYOUT (MATING PART ONLY)

| | | |
|------------------------|------|------|
| AI, BI7, B31, B48, B81 | 280 | - |
| AI, BI7, B31, B48, B81 | 164 | 16 |
| AI, BI7, B31, B48 | 98 | 8 |
| AI, BI7, B31 | 64 | 4 |
| AI, BI7 | 36 | 1 |
| LAST MATE PINS | POS. | PORT |

| | | | | |
|---|--|----------------------------------|--|-------------------------|
| THIS DRAWING IS A CONTROLLED DOCUMENT FOR TYCO ELECTRONICS CORPORATION. IT IS SUBJECT TO CHANGE AND THE CONTROLLING ENGINEERING ORGANIZATION SHOULD BE CONTACTED FOR THE LATEST REVISION. | | DWN R. TREA 09SEP2004 | Tyco Electronics Harrisburg, PA 17105-3608 | |
| DIMENSIONS: mm | | CHK D. DEFLAUGH 09SEP2004 | NAME PCI EXPRESS CARD EDGE CONNECTOR ASSEMBLY RIGHT ANGLE, 5.8mm SLOT HEIGHT THROUGH HOLE, ExpressModule TYPE | |
| TOLERANCES UNLESS OTHERWISE SPECIFIED: 0 PLC ±0.5 1 PLC ±0.13 2 PLC ±0.13 3 PLC ±0.013 4 PLC ±0.13 ANGLES ±2° FINISH | | APVD D. DEFLAUGH 09SEP2004 | SIZE A2 | |
| MATERIAL | | PRODUCT SPEC | CAGE CODE 00779 | DRAWING NO C-1761465 |
| | | APPLICATION SPEC | RESTRICTED TO | |
| | | WEIGHT | SCALE 4:1 | SHEET 3 OF 3 |
| | | CUSTOMER DRAWING | REV C | |

Mouser Electronics

Authorized Distributor

Click to View Pricing, Inventory, Delivery & Lifecycle Information:

[TE Connectivity:](#)

[1761465-1](#)