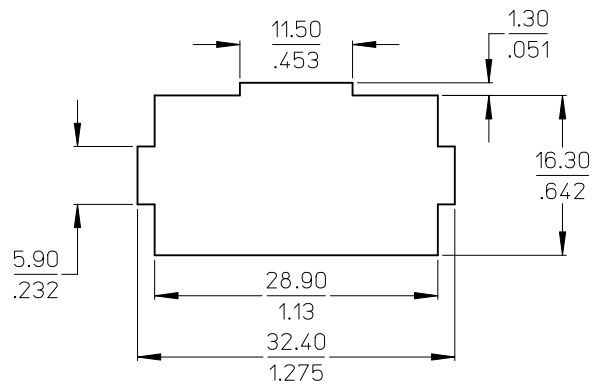
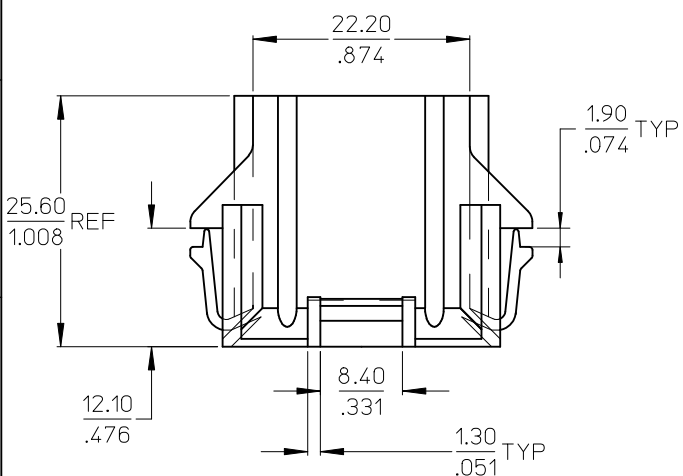
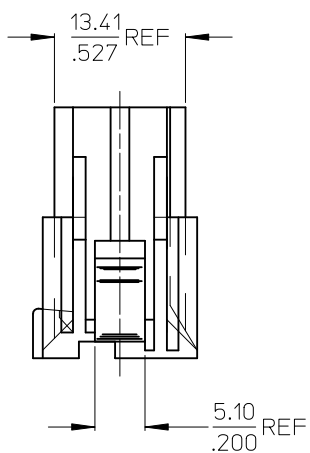


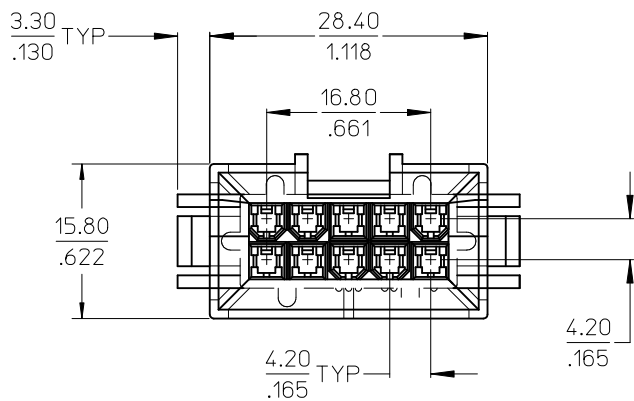
**NOTES:**

1. MATERIALS: NYLON (PA6/6, UNFILLED, UL94V-0, COLOR: NATURAL)
2. FINISHES: NONE
3. PRODUCT SPECIFICATION: PS-5566-002.
4. PACKAGING SPECIFICATION: PK-42474-001.
5. MATES WITH: MOLEX RECEPTACLES 5557, 42385 AND 42474.
6. CIRCUIT NUMBERS 3 AND 8 ARE DESIGNED TO PROVIDE MATE FIRST/BREAK LAST FUNCTION.
7. TO BE USED WITH 5558 OR 44478 MINI-FIT JR. MALE CRIMP TERMINALS.
8. WIRES ARE TO BE DRESSED IN SUCH A MANNER AS TO ALLOW TERMINALS TO FLOAT FREELY IN THE POCKET.
9. PART ALLOWS FOR UP TO 2.54/.100 MISALIGNMENT WITH MATING RECEPTACLE IN ANY DIRECTION. SEE MATING CONNECTOR DRAWINGS FOR SPECIFIC ALLOWANCES.
10. CONNECTOR ASSEMBLIES ARE NOT TO BE MATED OR UNMATED WHILE CIRCUITS ARE LIVE.
11. PANEL CUT-OUT TO BE PUNCHED IN THE SAME DIRECTION AS CONNECTOR INSERTION.
12. THIS PART CONFORMS TO CLASS B REQUIREMENTS OF COSMETIC SPEC PS-45499-002.



**RECOMMENDED PANEL CUTOUT**

PANEL THICKNESS: 1.60 / .063



<b>CORRECT 15.8MM DIM</b> EC NO: UCP2010-2315 DRAWN: BANDERSON 2010/03/10 CHKD: BELL 2010/03/11 APPR: F SMITH 2010/03/12	DESCRIPTION REV	QUALITY SYMBOLS	GENERAL TOLERANCES (UNLESS SPECIFIED)	DIMENSION STYLE	SCALE	DESIGN UNITS	THIRD ANGLE PROJECTION		
		$\nabla Z=0$ $\nabla E=0$ $\nabla F=0$	mm INCH 4 PLACES ± --- ± --- 3 PLACES ± --- ± --- 2 PLACES ± 0.20 ± .008 1 PLACE ± 0.20 ± .008 ANGULAR ± 1/2°	MM/IN	2:1	METRIC	DRAWN BY DATE COMERC I 06-12-01 CHECKED BY DATE COMERC I 06-12-01 APPROVED BY DATE F SMITH 2010/03/12	TITLE	PLUG HOUSING, 10 CIRCUIT #3, #8 MATE FIRST/BRK LST MINI FIT JR.
		DRAFT WHERE APPLICABLE MUST REMAIN WITHIN DIMENSIONS	MATERIAL NO.	DOCUMENT NO.	SHEET NO.				
		SIZE B	449910001	SD-44991-001	1 OF 1				

# Mouser Electronics

Authorized Distributor

Click to View Pricing, Inventory, Delivery & Lifecycle Information:

[Molex:](#)

[44991-0001](#)