

4N35

Phototransistor Optocoupler General Purpose Type



Data Sheet



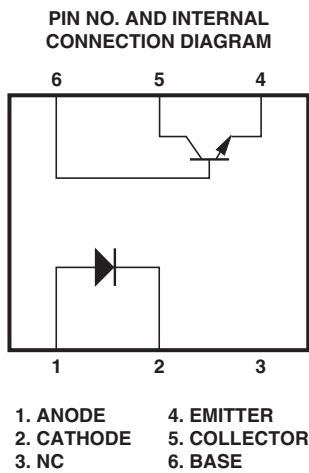
Description

The 4N35 is an optocoupler for general purpose applications. It contains a light emitting diode optically coupled to a photo-transistor. It is packaged in a 6-pin DIP package and available in wide-lead spacing option and lead bend SMD option. Response time, t_r , is typically 3 μ s and minimum CTR is 100% at input current of 10 mA.

Applications

- I/O interfaces for computers
- System appliances, measuring instruments
- Signal transmission between circuits of different potentials and impedances

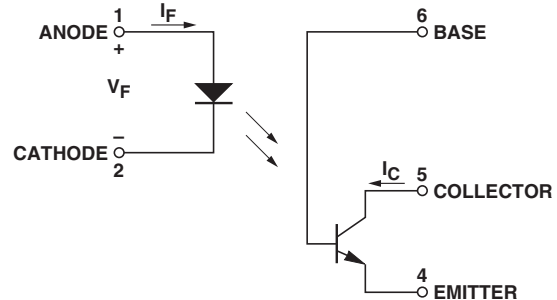
Functional Diagram



Features

- High Current Transfer Ratio (CTR: min. 100% at $I_F = 10$ mA, $V_{CE} = 10$ V)
- Response time (t_r : typ., 3 μ s at $V_{CE} = 10$ V, $I_C = 2$ mA, $R_L = 100$ Ω)
- Input-output isolation voltage ($V_{iso} = 3550$ Vrms)
- Dual-in-line package
- UL approved
- CSA approved
- IEC/EN/DIN EN 60747-5-2 approved
- Options available:
 - Leads with 0.4" (10.16 mm) spacing (W00)
 - Leads bends for surface mounting (300)
 - Tape and reel for SMD (500)
 - IEC/EN/DIN EN 60747-5-2 approvals (060)

Schematic



CAUTION: It is advised that normal static precautions be taken in handling and assembly of this component to prevent damage and/or degradation which may be induced by ESD.

Ordering Information

4N35-xxxx is UL Recognized with 3550 Vrms for 1 minute per UL1577 and is approved under CSA Component Acceptance Notice #5, File CA 88324.

| Part Number | RoHS Component Option | | | | | | Quantity |
|-------------|-----------------------|---------------|---------------|-----------|-------------|-------------------------|-------------------|
| | Rank '0' 100%<CTR | Package | Surface Mount | Gull Wing | Tape & Reel | IEC/EN/DIN EN 60747-5-2 | |
| 4N35 | -000E | 300 mil DIP-6 | | | | | 65 pcs per tube |
| | -300E | 300 mil DIP-6 | X | X | | | 65 pcs per tube |
| | -500E | 300 mil DIP-6 | X | X | X | | 1000 pcs per reel |
| | -060E | 300 mil DIP-6 | | | | X | 65 pcs per tube |
| | -360E | 300 mil DIP-6 | X | X | | X | 65 pcs per tube |
| | -560E | 300 mil DIP-6 | X | X | X | X | 1000 pcs per reel |
| | -W00E | 400 mil DIP-6 | | | | | 65 pcs per tube |
| | -W60E | 400 mil DIP-6 | | | | X | 65 pcs per tube |

To order, choose a part number from the part number column and combine with the desired option from the option column to form an order entry.

Example 1:

4N35-360E to order product of 300 mil DIP-6 DC Gull Wing Surface Mount package in Tube packaging with 100%<CTR, IEC/EN/DIN EN 60767-5-2 Safety Approval and RoHS compliant.

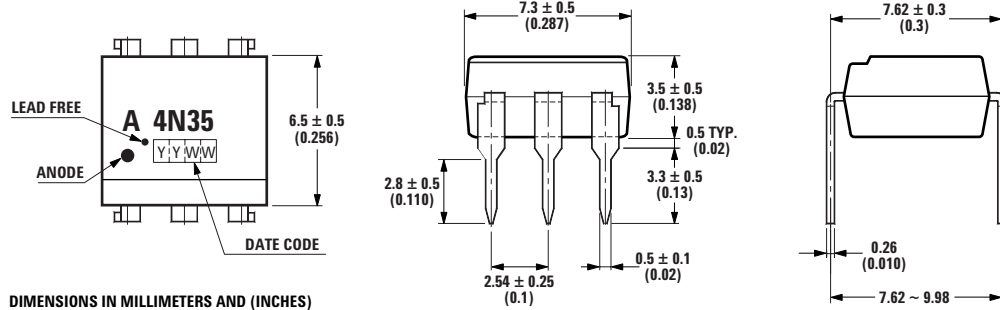
Example 2:

4N35-W00E to order product of 400 mil DIP-6 DC package in Tube packaging with 100%<CTR and RoHS compliant.

Option datasheets are available. Contact your Avago sales representative or authorized distributor for information.

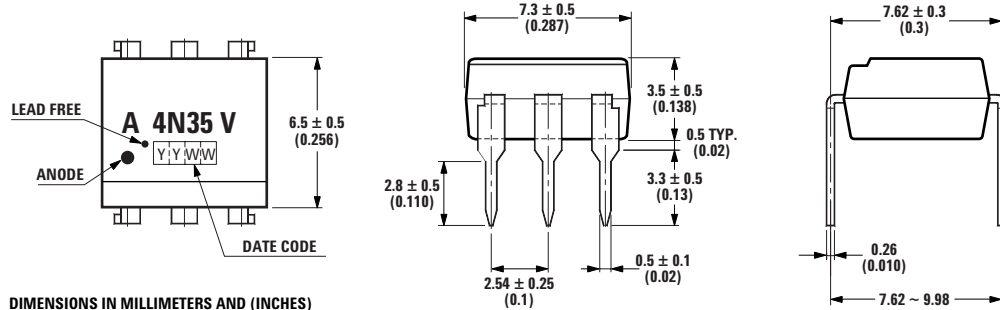
Package Outline Drawings

4N35-000E



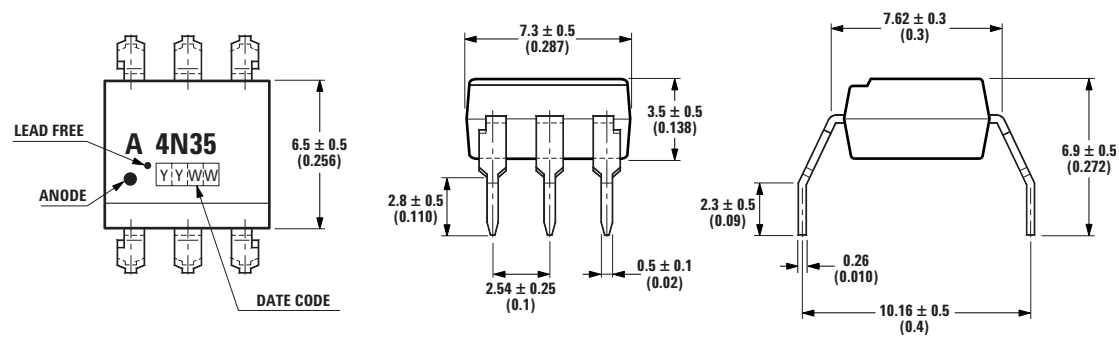
DIMENSIONS IN MILLIMETERS AND (INCHES)

4N35-060E



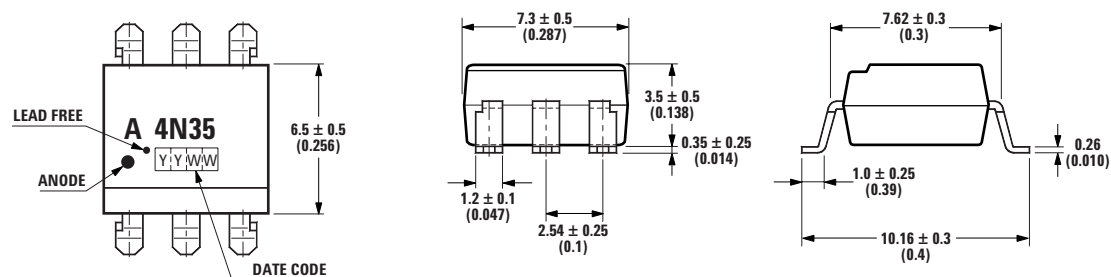
DIMENSIONS IN MILLIMETERS AND (INCHES)

4N35-W00E



DIMENSIONS IN MILLIMETERS AND (INCHES)

4N35-300E



DIMENSIONS IN MILLIMETERS AND (INCHES)

Solder Reflow Temperature Profile

- 1) One-time soldering reflow is recommended within the condition of temperature and time profile shown at right.
- 2) When using another soldering method such as infrared ray lamp, the temperature may rise partially in the mold of the device. Keep the temperature on the package of the device within the condition of (1) above.



Note: Non-halide flux should be used.

Absolute Maximum Ratings

| | |
|--|-----------------|
| Storage Temperature, T_S | -55°C to +150°C |
| Operating Temperature, T_A | -55°C to +100°C |
| Lead Solder Temperature, max. (1.6 mm below seating plane) | 260°C for 10 s |
| Average Forward Current, I_F | 60 mA |
| Reverse Input Voltage, V_R | 6 V |
| Input Power Dissipation, P_I | 100 mW |
| Collector Current, I_C | 100 mA |
| Collector-Emitter Voltage, V_{CE0} | 30 V |
| Emitter-Collector Voltage, V_{ECO} | 7 V |
| Collector-Base Voltage, V_{CB0} | 70 V |
| Collector Power Dissipation | 300 mW |
| Total Power Dissipation | 350 mW |
| Isolation Voltage, V_{ISO} (AC for 1 minute, R.H. = 40 ~ 60%) | 3550 Vrms |

Electrical Specifications (T_A = 25°C)

| Parameter | Symbol | Min. | Typ. | Max. | Units | Test Conditions |
|--------------------------------------|----------------------|----------------------|----------------------|------|-------|--|
| Forward Voltage | V _F | – | 1.2 | 1.5 | V | I _F = 10 mA |
| Reverse Current | I _R | – | – | 10 | μA | V _R = 4 V |
| Terminal Capacitance | C _t | – | 50 | – | pF | V = 0, f = 1 KHz |
| Collector Dark Current | I _{CEO} | – | – | 50 | nA | V _{CE} = 10 V, I _F = 0, T _A = 25°C |
| | | – | – | 500 | μA | V _{CE} = 30 V, I _F = 0, T _A = 100°C |
| Collector-Emitter Breakdown Voltage | BV _{CEO} | 30 | – | – | V | I _C = 0.1 mA, I _F = 0 |
| Emitter-Collector Breakdown Voltage | BV _{ECO} | 7 | – | – | V | I _E = 10 μA, I _F = 0 |
| Collector-Base Breakdown Voltage | BV _{CBO} | 70 | – | – | V | I _C = 0.1 mA, I _F = 0 |
| Collector Current | I _C | 10 | – | – | mA | I _F = 10 mA |
| *Current Transfer Ratio | CTR | 100 | – | – | % | V _{CE} = 10 V |
| Collector-Emitter Saturation Voltage | V _{CE(sat)} | – | – | 0.3 | V | I _F = 50 mA, I _C = 2 mA |
| Response Time (Rise) | t _r | – | 3 | 10 | μs | V _{CC} = 10 V, I _C = 2 mA |
| Response Time (Fall) | t _f | – | 3 | 10 | μs | R _L = 100 Ω |
| Isolation Resistance | R _{iso} | 5 x 10 ¹⁰ | 1 x 10 ¹¹ | – | Ω | DC 500 V 40 ~ 60% R.H. |
| Floating Capacitance | C _f | – | 1 | 2.5 | pF | V = 0, f = 1 MHz |

$$* CTR = \frac{I_C}{I_F} \times 100\%$$

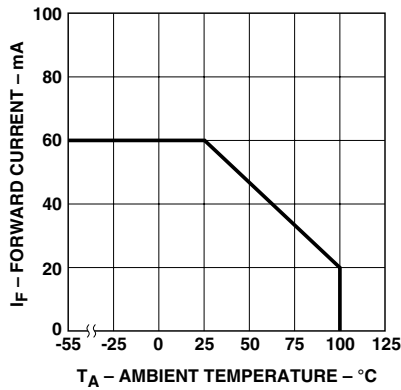


Figure 1. Forward current vs. temperature.

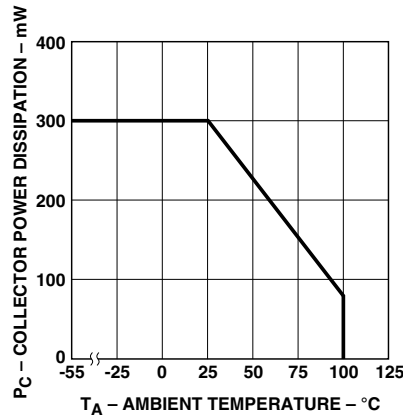


Figure 2. Collector power dissipation vs. temperature.

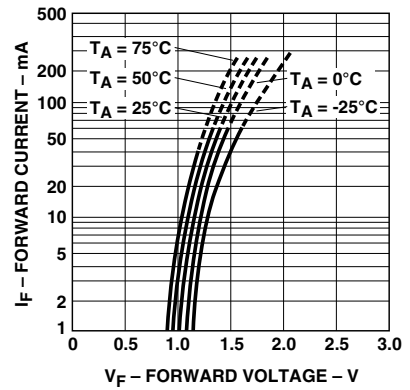


Figure 3. Forward current vs. forward voltage.



Figure 4. Current transfer ratio vs. forward current.

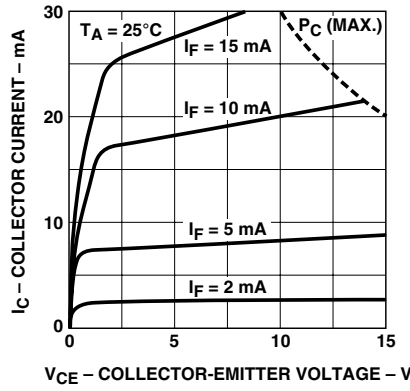


Figure 5. Collector current vs. collector-emitter voltage.



Figure 6. Relative current transfer ratio vs. temperature.



Figure 7. Collector-emitter saturation voltage vs. temperature.

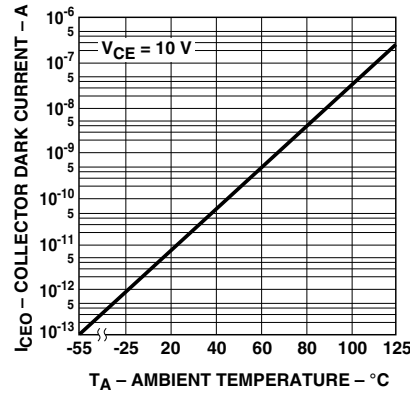


Figure 8. Collector dark current vs. temperature.



Figure 9. Response time vs. load resistance.



Figure 10. Frequency response.

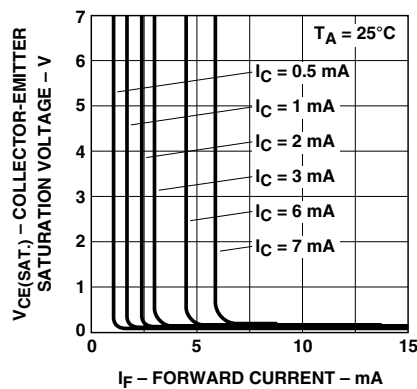
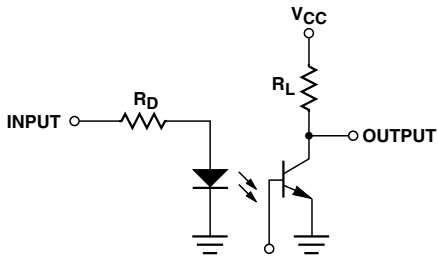
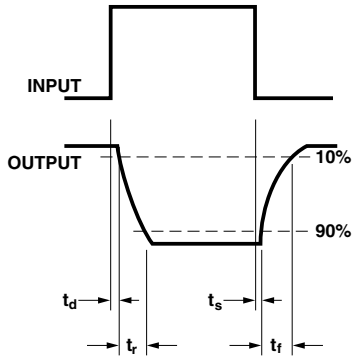
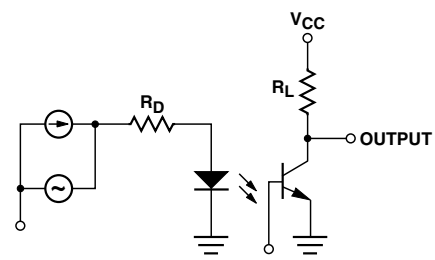


Figure 11. Collector-emitter saturation voltage vs. forward current.

Test Circuit for Response Time



Test Circuit for Frequency Response



For product information and a complete list of distributors, please go to our website: www.avagotech.com

Avago, Avago Technologies, and the A logo are trademarks of Avago Technologies Limited in the United States and other countries. Data subject to change. Copyright © 2007 Avago Technologies Limited. All rights reserved. Obsoletes AV01-0537EN AV02-0773EN - October 18, 2007



Mouser Electronics

Authorized Distributor

Click to View Pricing, Inventory, Delivery & Lifecycle Information:

[Broadcom Limited:](#)

[4N35-000E](#) [4N35-060E](#) [4N35-300E](#) [4N35-500E](#) [4N35-560E](#) [4N35-W00E](#) [4N35-W60E](#) [4N35-360E](#)