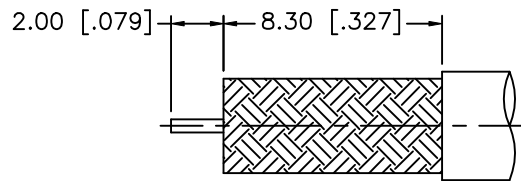
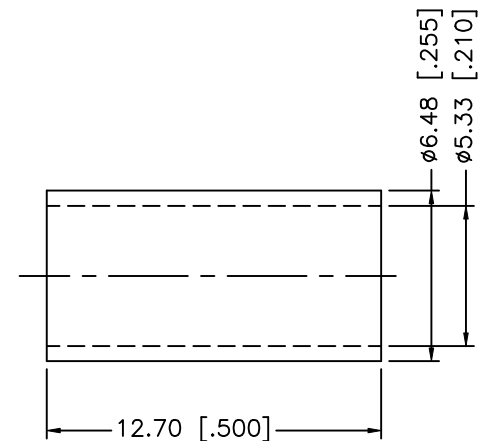
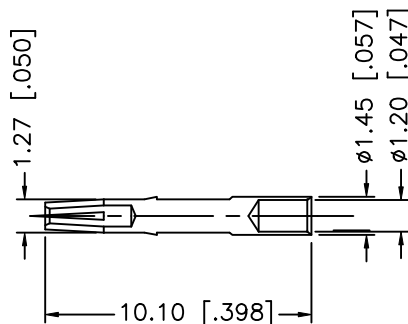
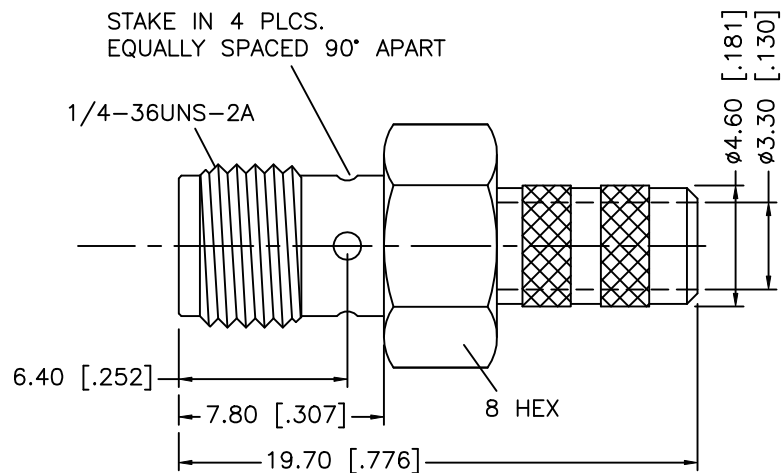


REV.	DATE	DESCRIPTION
NC	09/19/02	INITIAL RELEASE



RECOMMENDED  
CABLE STRIPPING DIM'S



CRIMP NOTES:

1. CRIMPED FERRULE  
HEX CRIMP SIZE .213"
2. CONTACT PIN TO SOLDER

8				UNLESS OTHERWISE SPECIFIED DIMENSIONS ARE IN MILLIMETERS	APPROVALS	DATE	<h1 style="text-align: center;">Amphenol - Connex</h1> <p style="text-align: center;">CONNECTOR CORPORATION</p>				
7					DRAWN	G.R.S.					09/19/02
6					DIMENSIONS IN [ ] ARE IN INCHES FOR CUSTOMER REFERENCE ONLY			TITLE			
5					UNLESS OTHERWISE SPECIFIED TOLERANCES FOR INCHES ARE:			SMA CRIMP JACK (FOR TIMES LMR-200)			
4	FERRULE	COPPER	GOLD	.XXX = ± 0.005" .XX = ± 0.010" .X = ± 0.020"	ISSUED		SIZE	FSCM NO.	DWG. NO.	REV.	
3	CONTACT PIN	BER. COPPER	GOLD		A	99001	132236.DWG	NC			
2	INSULATOR	TEFLON	NATURAL								
1	BODY	BRASS	GOLD								
DESCRIPTION MATERIAL FINISH				DO NOT SCALE DRAWING	SCALE	NA	PART NO.	132236	SHEET	1 OF 1	

# Mouser Electronics

Authorized Distributor

Click to View Pricing, Inventory, Delivery & Lifecycle Information:

[Amphenol:](#)

[132236](#)