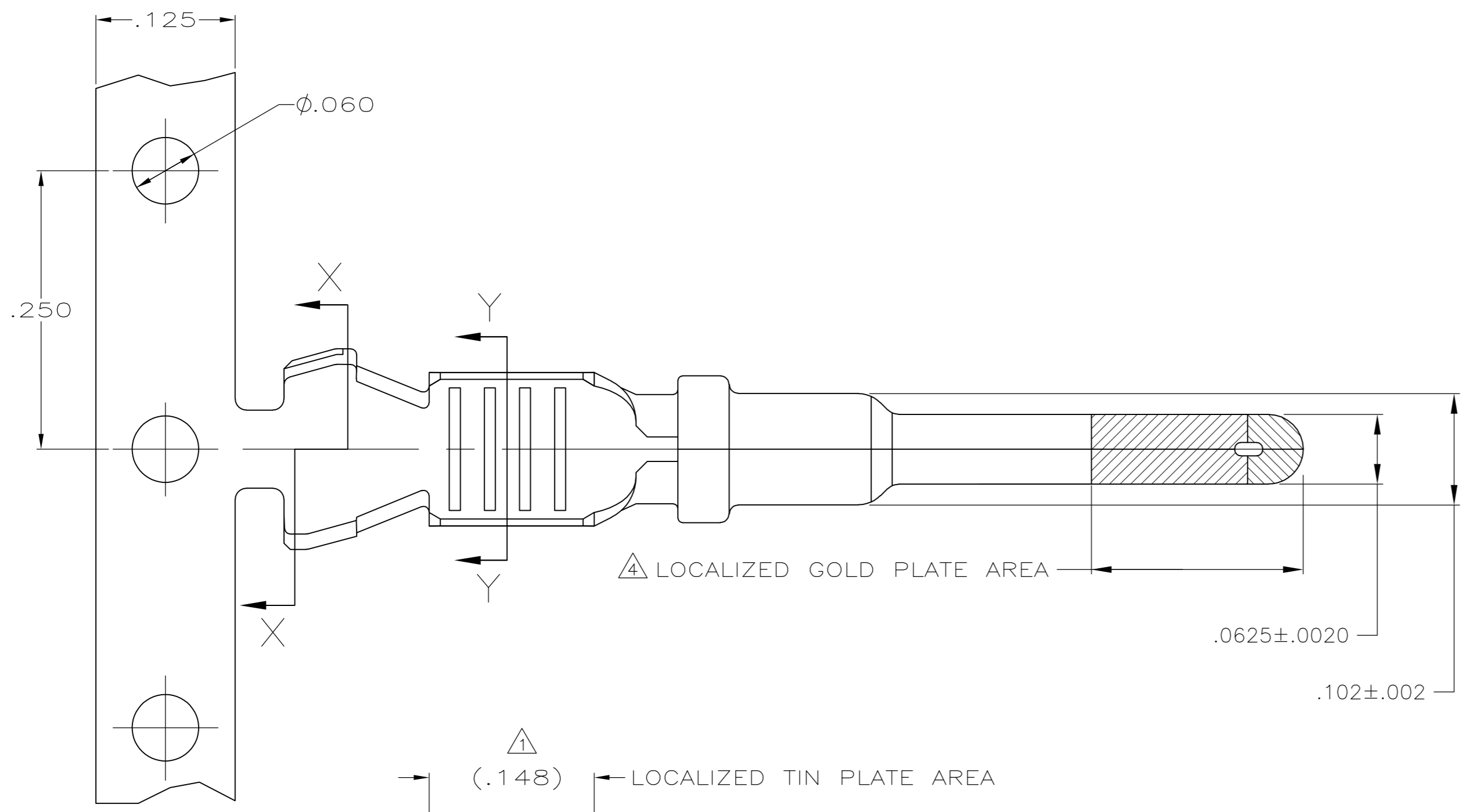
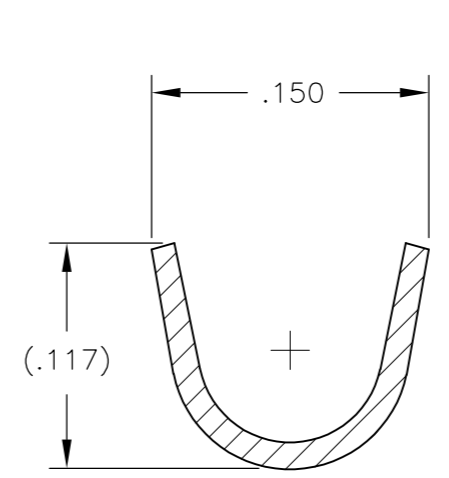
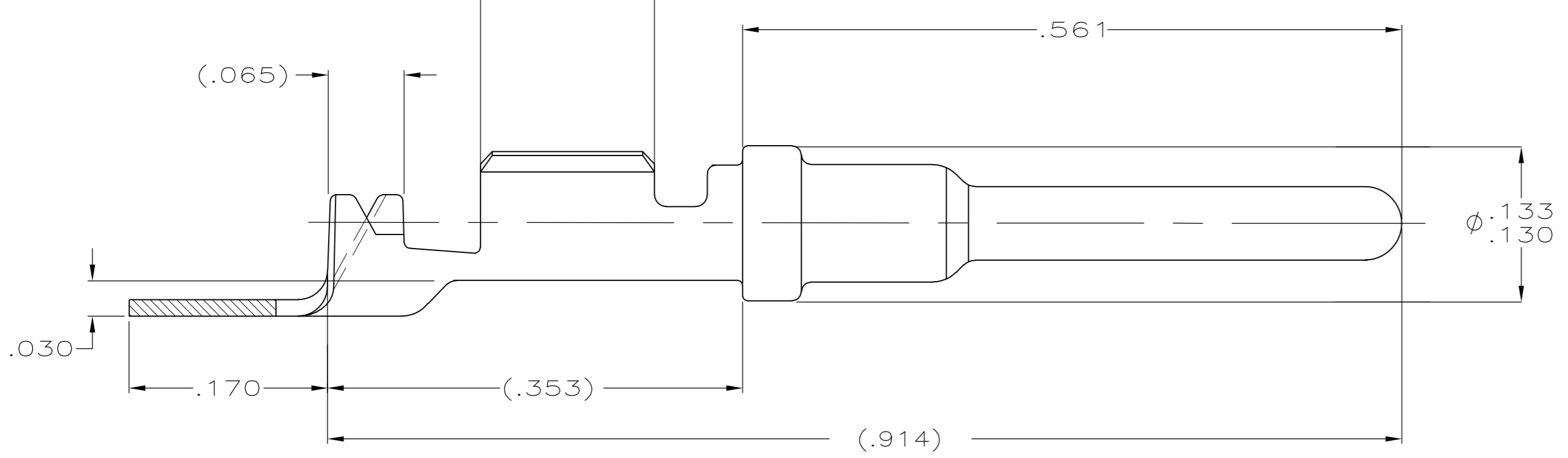


THIS DRAWING IS UNPUBLISHED. RELEASED FOR PUBLICATION
 © COPYRIGHT - By - ALL RIGHTS RESERVED.

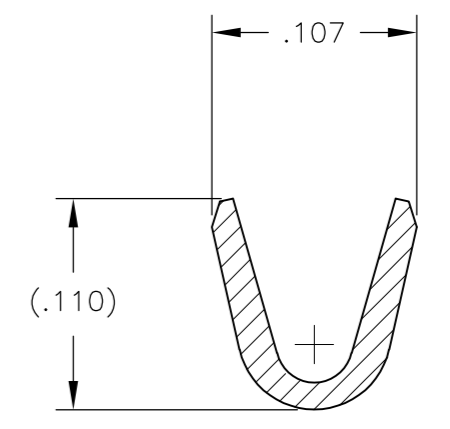
LOC	DIST	REVISIONS					
GE	00	P	LTR	DESCRIPTION	DATE	DWN	APVD
		B1		REVISED PER ECO-11-005030	11MAR11	RK	HMR



- 1. FINISH : PLATE 0.000100-0.000200 THK TIN IN LOCALIZED TIN PLATE AREA, ALL OVER 0.000040-0.000080 THK NICKEL.
- 2. CONTACT WILL BE LUBED WITH LUBRICANT PER TE CONNECTIVITY P/N 22014-4.
- 3. WIRE RANGE: 20-18 AWG WITH INSULATION DIAMETERS OF 0.050 - 0.107 INCHES.
- 4. PLATE 0.000030 MIN THK SELECT GOLD IN LOCALIZED PLATE AREA.



SECTION X-X



SECTION Y-Y

1	1924463-3
1 4	1924463-1
FINISH	PART NUMBER

THIS DRAWING IS A CONTROLLED DOCUMENT.		DWN DL DRUMMOND 27AUG2007	TE TE Connectivity	
DIMENSIONS: INCHES		CHK MP TRULL 27AUG2007		
TOLERANCES UNLESS OTHERWISE SPECIFIED:		APVD MP TRULL 27AUG2007	NAME	
0 PLC ± -		PRODUCT SPEC	PIN CONTACT	
1 PLC ± -		APPLICATION SPEC	SIZE A2	CAGE CODE 00779
2 PLC ± .02		WEIGHT -	DRAWING NO C=1924463	RESTRICTED TO -
3 PLC ± .005		CUSTOMER DRAWING	SCALE 10:1	SHEET 1 of 1
4 PLC ± -			REV B1	
ANGLES ± -				
FINISH -				

1924463

Mouser Electronics

Authorized Distributor

Click to View Pricing, Inventory, Delivery & Lifecycle Information:

[TE Connectivity:](#)

[1924463-1](#) [1924463-1 \(Cut Strip\)](#) [1924463-1 \(Mouser Reel\)](#)