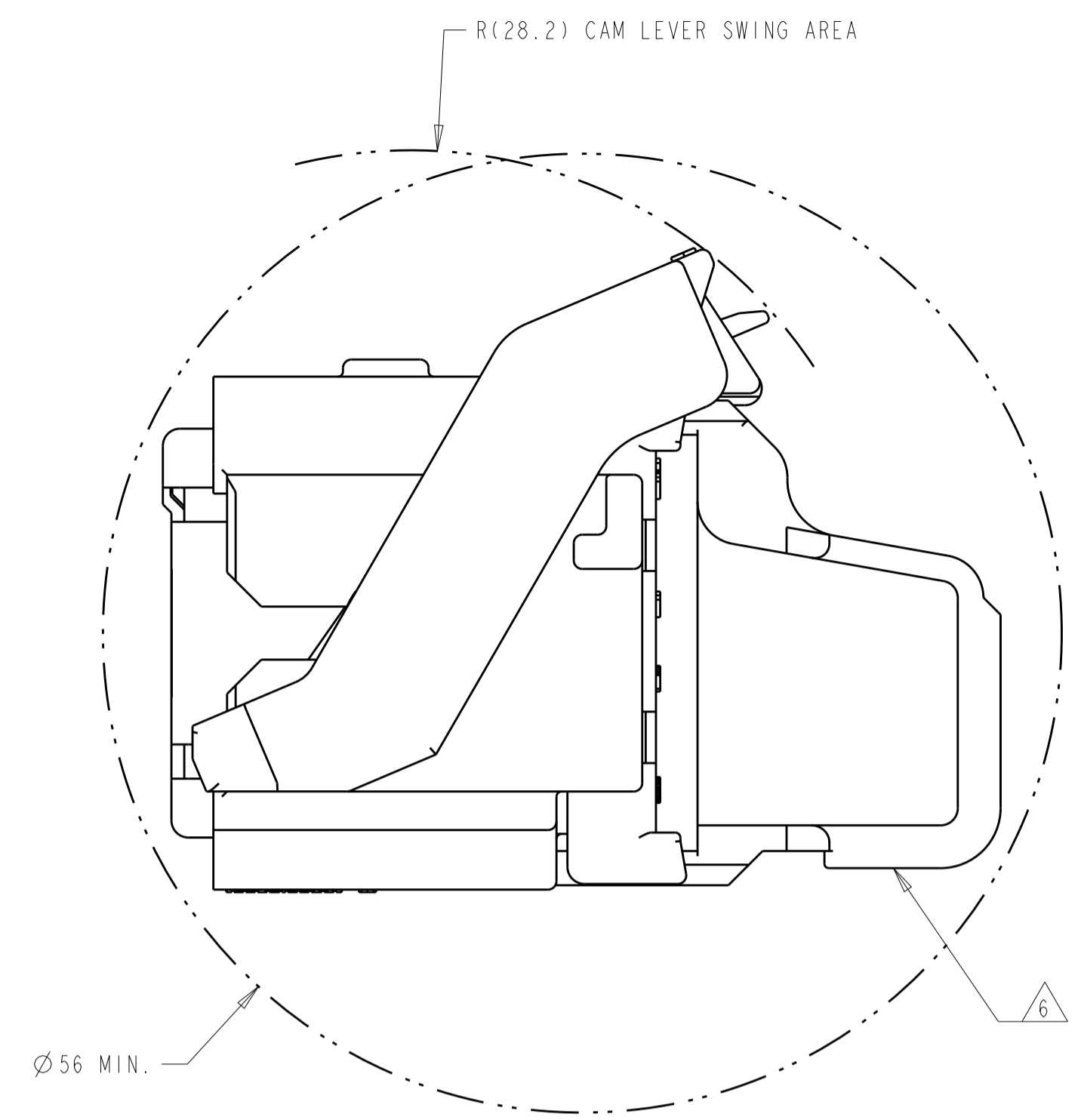
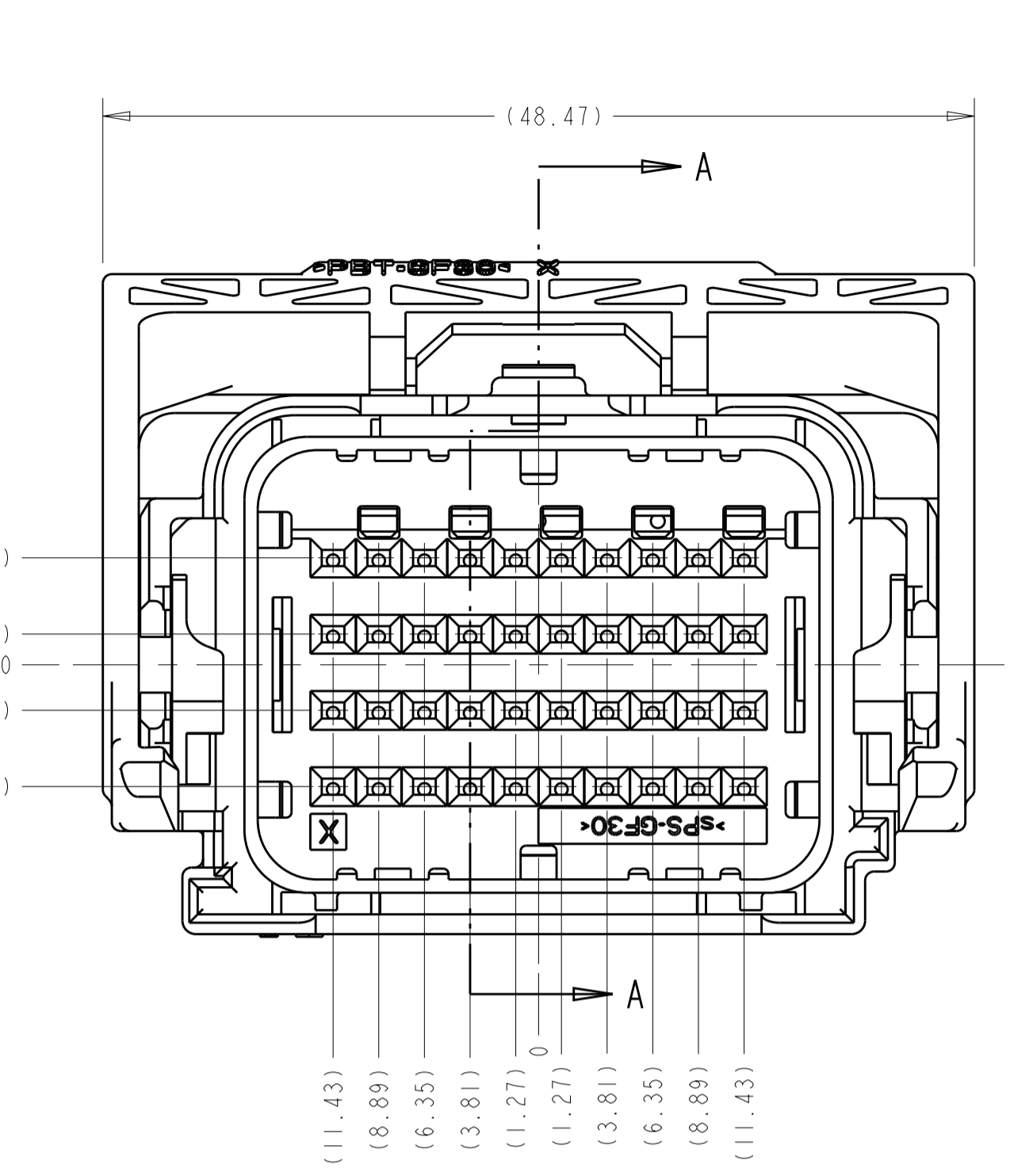
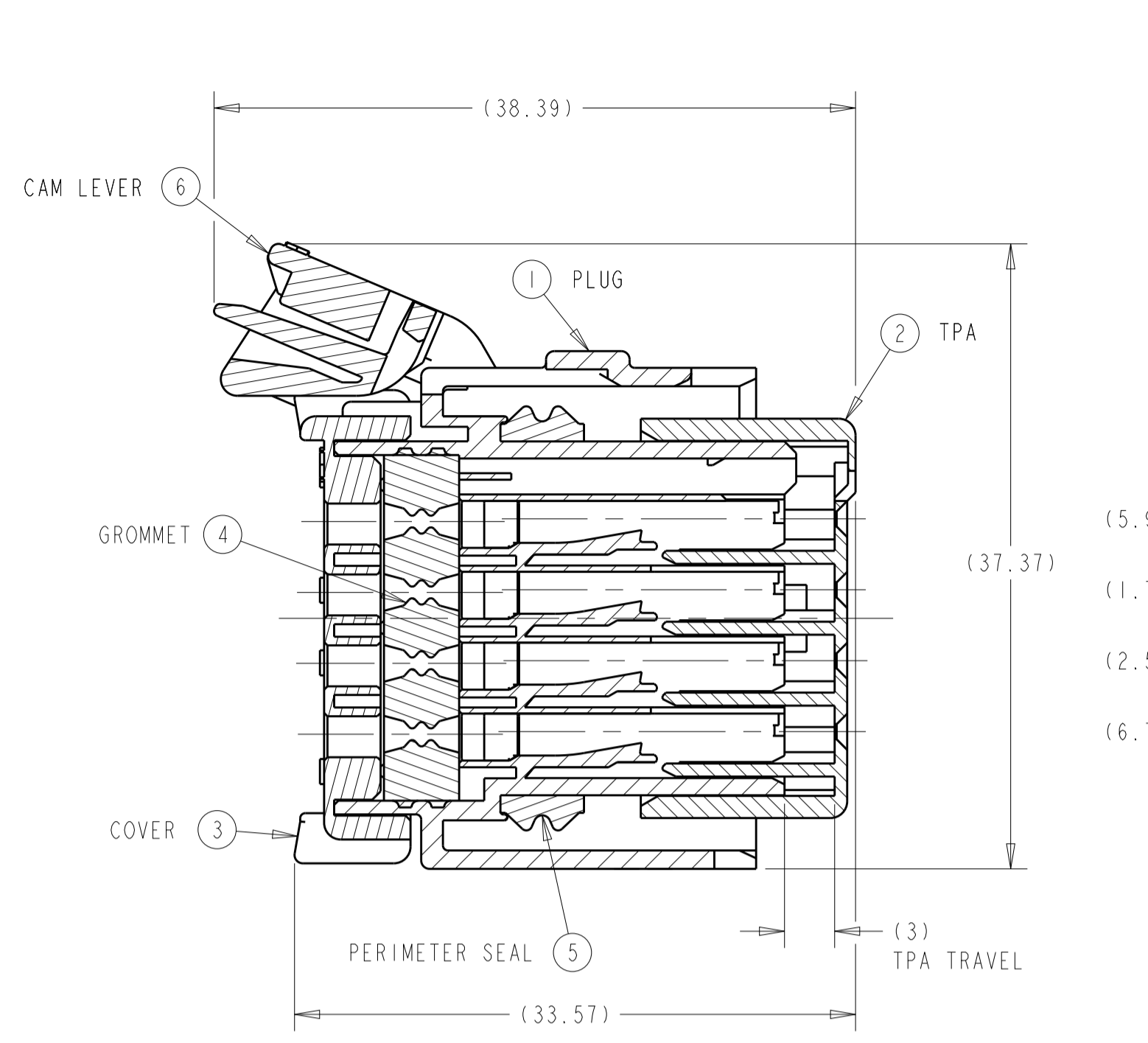
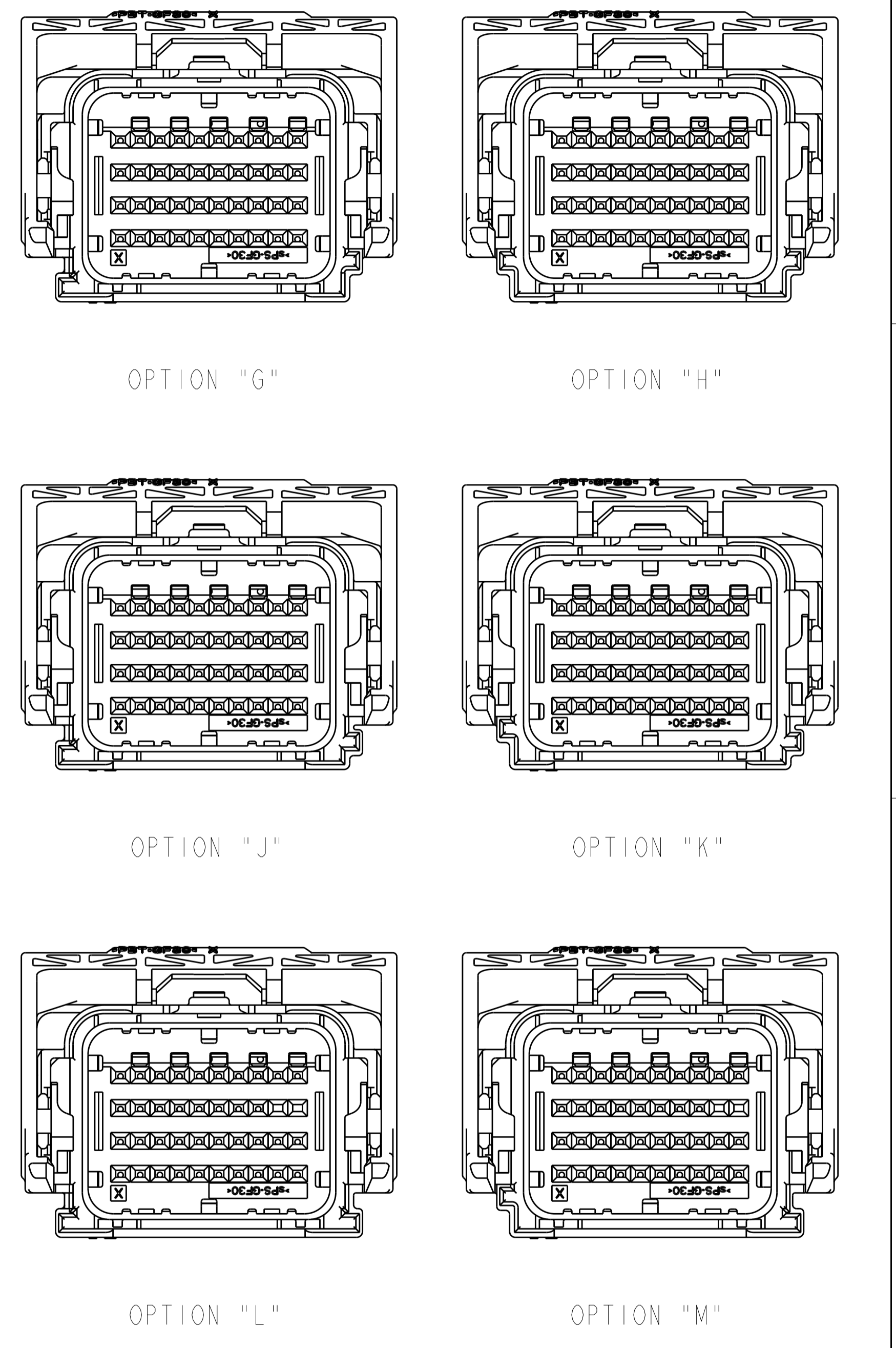


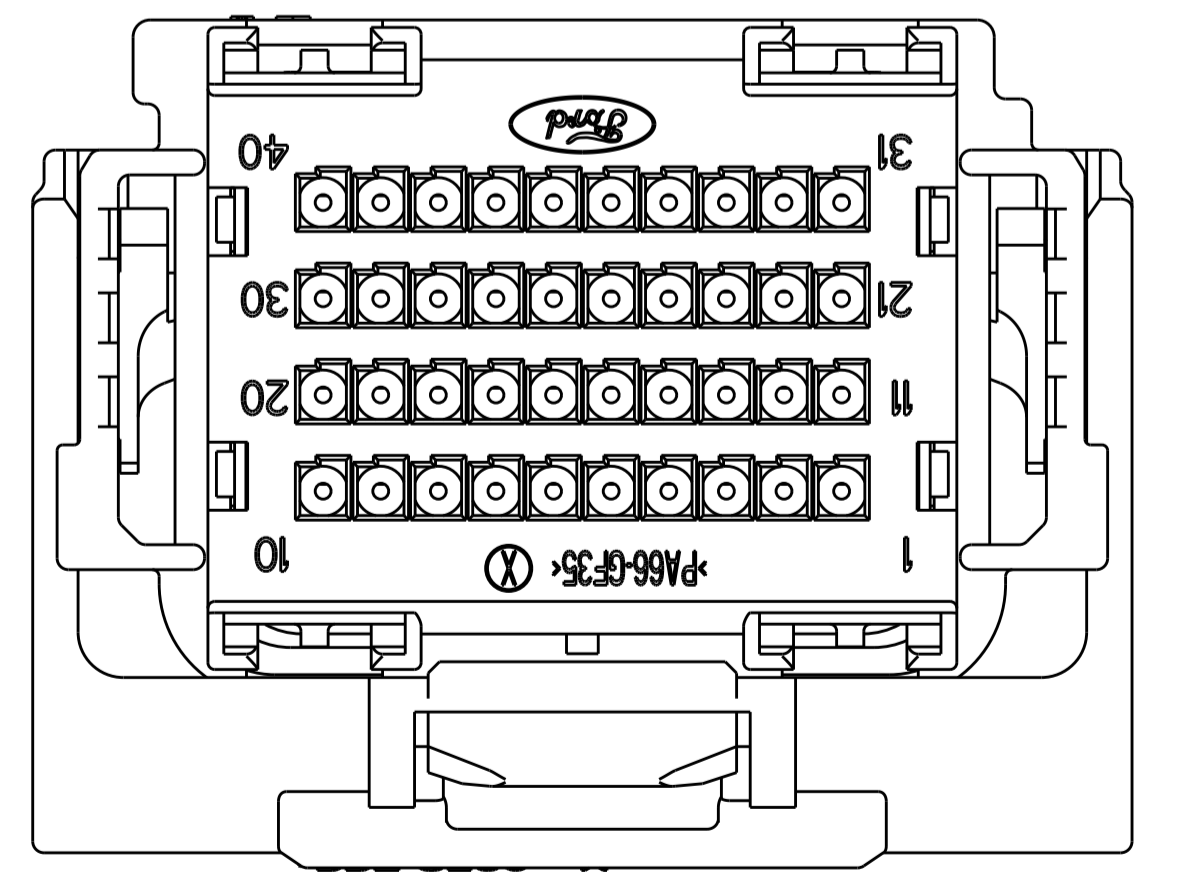
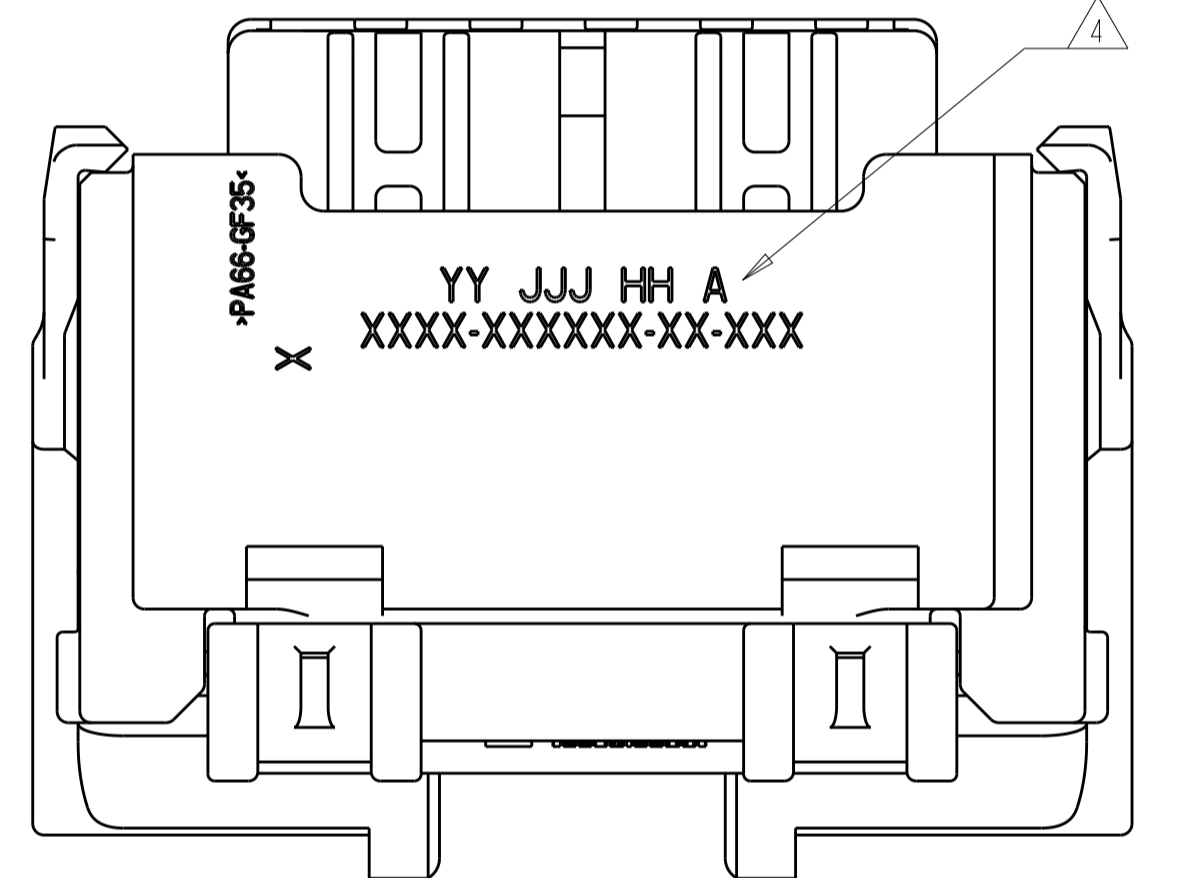
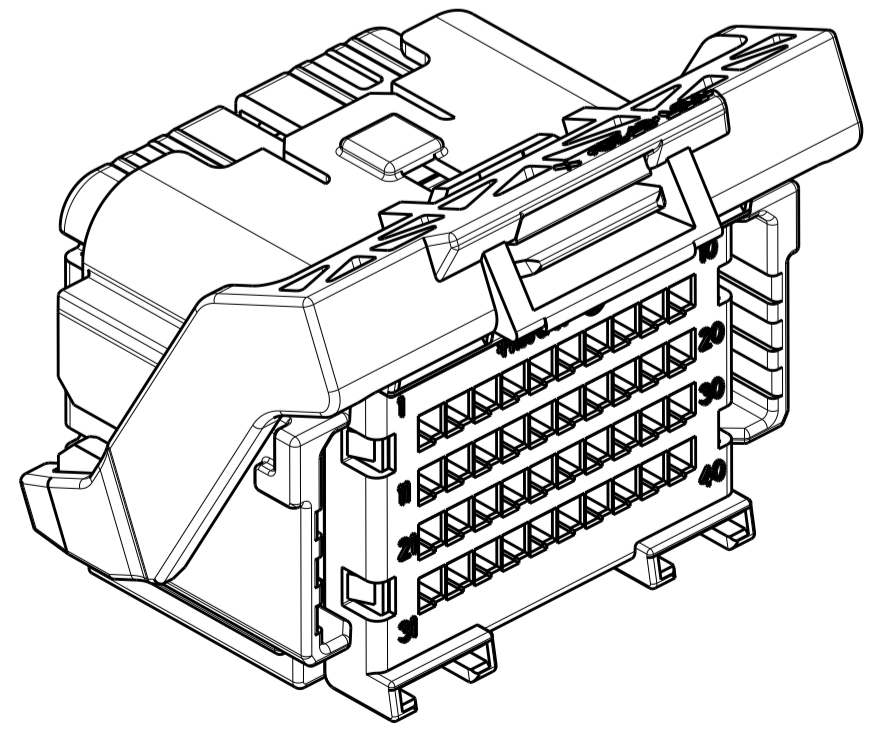
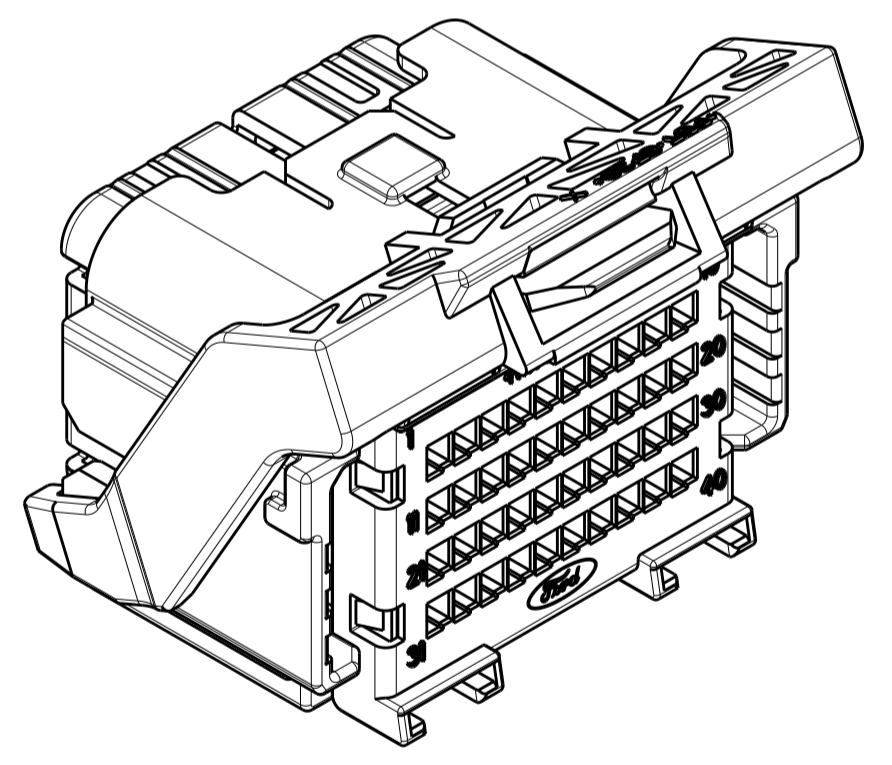
REVISIONS					
P.	LTN	DESCRIPTION	DATE	OWN	APVD
CF	REV PER ECO-17-010490		19JUL2017	RGV	WTW
CG	REV PER ECO-17-014327		03OCT2017	JMS	WW
CH	REVISED PER ECO-18-002641		22FEB2018	JMS	WW



KEYING OPTIONS  
 SCALE 2:1



MINIMUM FEED THROUGH CONDITION  
 WITH 1mm CLEARANCE ALL AROUND  
 SHOWN WITH OPTION WIRESHIELD  
 TPA IS IN IT'S LOADED POSITION  
 CAM LEVER IS IN IT'S PRE-LOADED POSITION



- APPLICABLE TERMINAL PART NUMBERS (SOLD SEPARATELY):  
 FOR TIN APPLICATIONS: 1393367 AND 1393366.  
 FOR GOLD APPLICATIONS: 1393365 AND 1393364.  
 FOR TERMINATION AND REELING OPTIONS  
 SEE DRAWINGS 1393367, 1393366, 1393365, AND 1393364.
- COMPATIBLE WIRE SIZES FOR MAT SEAL DESIGN 1.19 TO 2.06 O.D.  
 (22-18 AWG, 0.35-0.75 mm<sup>2</sup>)
- TPA AND CAM LEVER ARE SHIPPED IN THEIR PRE-LOADED POSITION.  
 ALL ASSEMBLIES ARE TO BE TRAY PACKAGED.
- CUSTOMER PART NUMBER AND TRACEABILITY CODE (YY = TWO DIGIT YEAR,  
 JJJ = JULIAN DAY, HH = TWO DIGIT MILITARY HOUR, A = ASSEMBLY PROCESS  
 USED) ARE PRINTED IN THIS LOCATION.
- PART ASSEMBLY WEIGHT WITHOUT TERMINALS AND WITH STANDARD PIN-OUT  
 CONFIGURATION IS 24.71 GRAMS.
- OPTIONAL WIRESHIELD P/N 8-1419157-8 (SOLD SEPARATELY). PLEASE CONTACT  
 YOUR TE SALES REPRESENTATIVE FOR AVAILABILITY AND PRICING.

THIS DRAWING IS A CONTROLLED DOCUMENT.

DIMENSIONS:	TOLERANCES UNLESS OTHERWISE SPECIFIED:	OWN: M. FORLSKA 19APR2002	CHK: M. FORLSKA 19APR2002	APVD: A. VALASEK 19APR2002
mm	0 PLC ± 1 PLC ±0.3 2 PLC ±0.10 3 PLC ± 4 PLC ± ANGLES ±	PRODUCT SPEC	APPLICATION SPEC	WEIGHT SEE NOTE 5
MATERIAL SEE CHART ON SHEET 2	FINISH	CUSTOMER DRAWING	SIZE: A1	CAGE CODE: 00779

NAME: 40 WAY ARM, PLUG ASSEMBLY WITHOUT SHORTING BARS, CUSTOMER SPEC.  
 DRAWING NO: 8-1419157-7  
 SCALE: 3:1 SHEET 1 OF 5 REV: CH



THIS DRAWING IS UNPUBLISHED. RELEASED FOR PUBLICATION  
COPYRIGHT 2018 BY - TE CONNECTIVITY ALL RIGHTS RESERVED.

REVISIONS				
P.	LTN	DESCRIPTION	DATE	APPD
-	-	SEE SHEET 1	-	-

ASSEMBLY PART NUMBERS																				ITEM	DESCRIPTION	MATERIAL	FINISH/COLOR			
																					2098034-1		6	CAM LEVER	PBT 30% GF	GRAY
																							6	CAM LEVER WITH MODIFIED TAB	PA66 35% GF	GRAY
																							6	CAM LEVER WITH MODIFIED TAB	PBT 30% GF	GRAY
																							5	PERIMETER SEAL	SILICONE	GREEN
																							4	GROMMET	SILICONE	BROWN
																							3	COVER	PA66 35% GF	BLACK
																							2	TPA FOR NON-SHORTING BAR APPLICATIONS	sPS 30% GF	NATURAL
																							2	TPA FOR NON-SHORTING BAR APPLICATIONS	sPS 30% GF	RED
																							1	PLUG WITH KEYING OPTION "K" AND 5 SHORTING BAR POSITIONS CONFIGURATION	PA66 35% GF	BLACK
																							1	PLUG WITH KEYING OPTION "L" AND 5 SHORTING BAR POSITIONS CONFIGURATION	PA66 35% GF	BLACK
																							1	PLUG WITH KEYING OPTION "J" AND 5 SHORTING BAR POSITIONS CONFIGURATION	PA66 35% GF	BLACK
																							1	PLUG WITH KEYING OPTION "H" AND 5 SHORTING BAR POSITIONS CONFIGURATION	PA66 35% GF	BLACK
																							1	PLUG WITH KEYING OPTION "G" AND 5 SHORTING BAR POSITIONS CONFIGURATION	PA66 35% GF	BLACK

THIS DRAWING IS A CONTROLLED DOCUMENT.		OWN M. FORLSKA	19APR2002	 TE Connectivity <b>40 WAY ARM, PLUG ASSEMBLY WITHOUT SHORTING BARS, CUSTOMER SPEC.</b>
DIMENSIONS: mm		CHK M. FORLSKA	19APR2002	
		APVD A. VALASEK	19APR2002	
TOLERANCES UNLESS OTHERWISE SPECIFIED: 0 PLC ± 1 PLC ±0.3 2 PLC ±0.10 3 PLC ± 4 PLC ± ANGLES ±°		PRODUCT SPEC		
MATERIAL SEE CHART ON SHEET 2		FINISH	WEIGHT	SIZE CAGE CODE DRAWING NO RESTRICTED TO <b>A1 00779 C=8-1419157-7</b>
			CUSTOMER DRAWING	SCALE 3:1 SHEET 3 OF 5 REV CH

PIN-OUT CHART table with columns for terminal positions (1-40) and rows for various part numbers and keying options (KEY "J", KEY "H", KEY "L", KEY "G").

PIN-OUT CHART table for part number 2098034-1, showing terminal positions and keying options.

TERMINAL HOLE POSITION. CAVITIES WITH A NUMERIC SYMBOL INDICATE CLOSED TERMINAL HOLE POSITIONS. BLANK CAVITIES INDICATE OPEN TERMINAL HOLE POSITIONS.

Technical drawing footer containing dimensions, tolerances, material, and customer drawing information.



# Mouser Electronics

Authorized Distributor

Click to View Pricing, Inventory, Delivery & Lifecycle Information:

[TE Connectivity:](#)

[1438435-6](#)