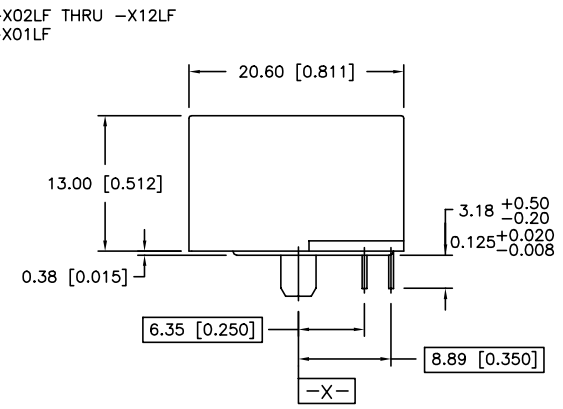
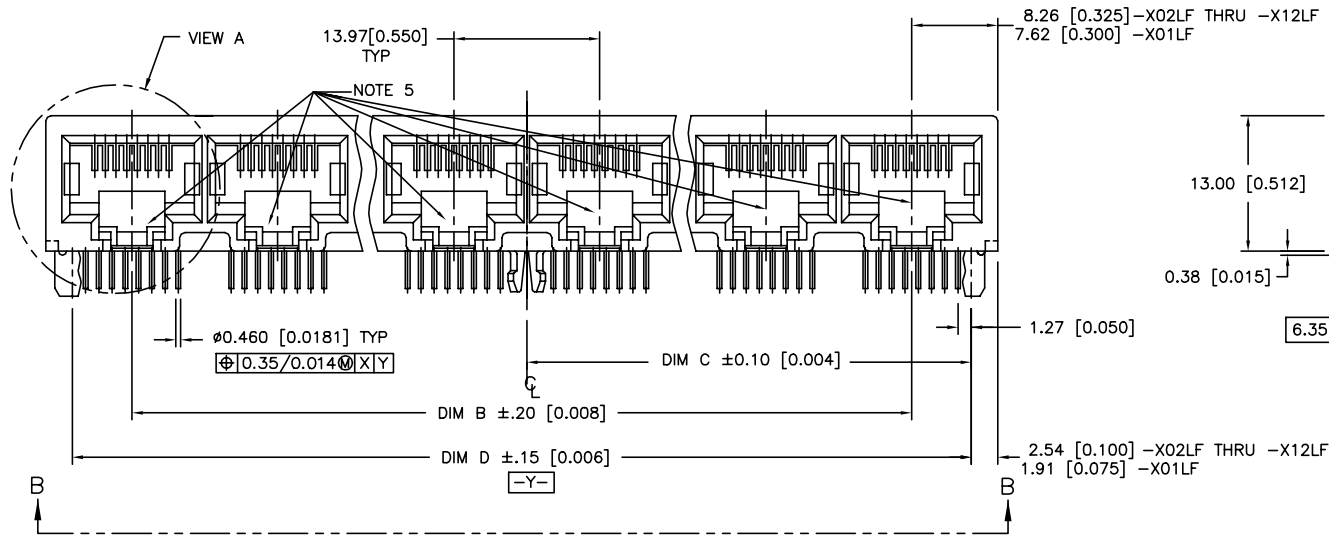
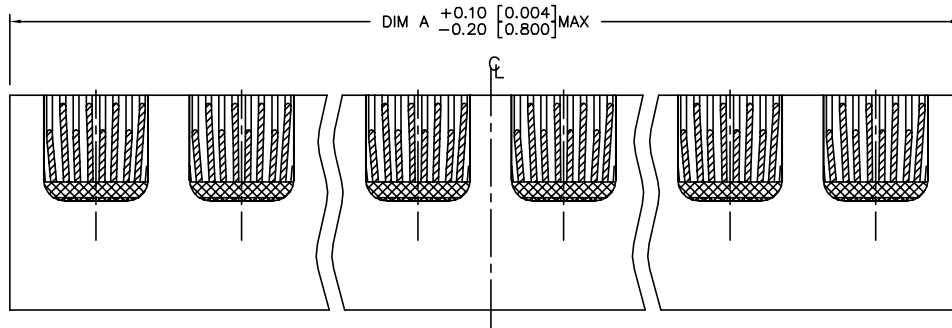


PRODUCT NO.
SEE TABLE

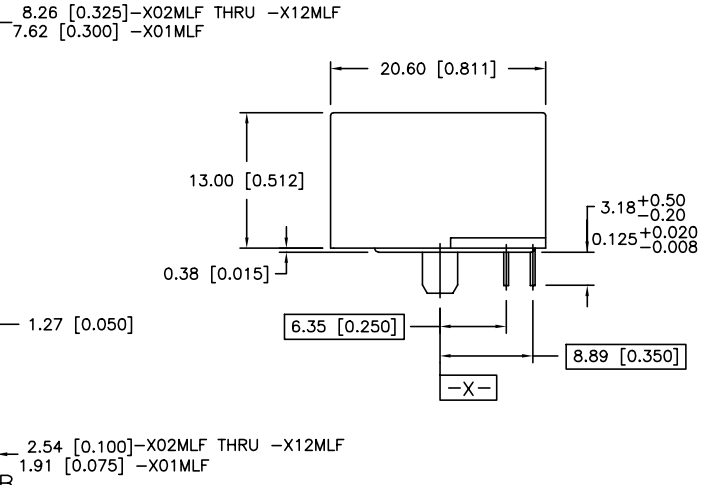
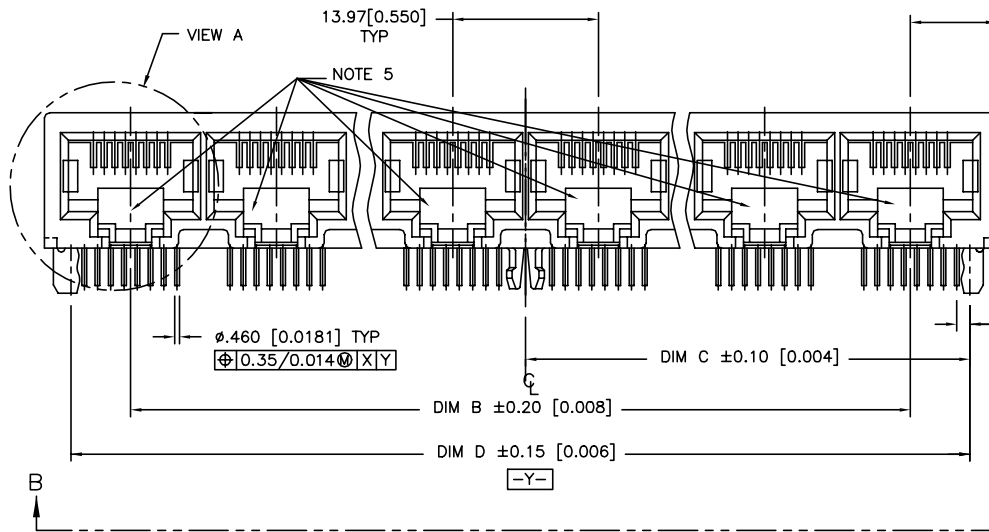
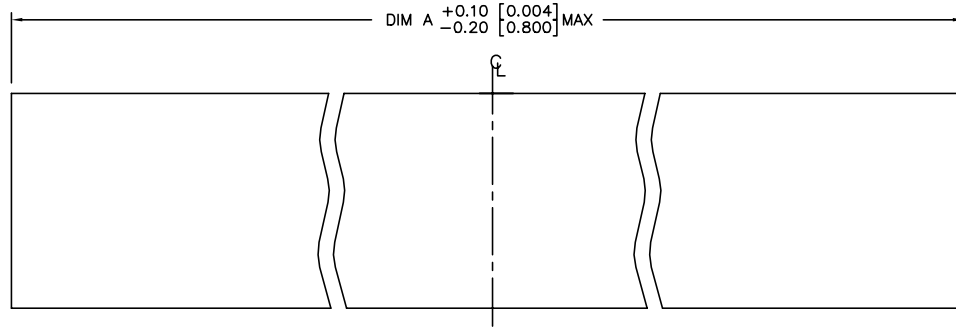


| | | | | | | | | | |
|-------------|--------------|----------------------|----------|-----------------------------|------------|------------------------|------|----------------------------|------|
| mat'l. code | | surface ISO1302 ✓ | | tolerance ISO1101 ISO406 | | projection ISO 1101 | | product family MOD JACK | |
| l | tr | ec | n | no | dr | date | date | date | date |
| F | T80171 | CATHY | 6/10/98 | angle | 0.X±0.3 | | | | |
| G | V12594 | LP | 3/20/02 | 0°±2' | 0.XX±0.15 | | | | |
| H | V03-1103 | PJ | 10/21/03 | 0°±2' | 0.XXX±0.05 | | | | |
| J | N04-0119 | MHT | 12/9/04 | dr | KCHOU | 3/18/93 | | | |
| K | ELX-N-010992 | SH MNO | 3/14/12 | engr | TC | 3/18/93 | | | |
| | | | | chr | J.TSAO | 3/18/93 | | | |
| | | | | appd | J.TSAO | 3/18/93 | | | |
| sheet | revision | K | K | K | K | K | | | |
| index | sheet | 1 | 2 | 3 | 4 | 5 | | | |



dwg no 94711 sheet 1 of 5 size A4
type Product Customer Drawing

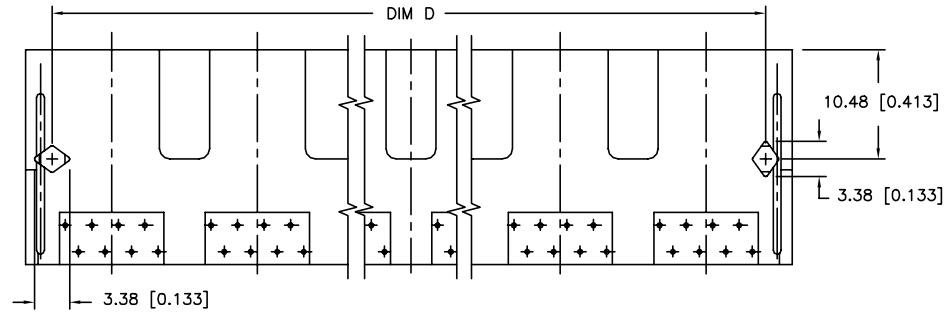
PRODUCT NO.
SEE TABLE



| | | | | | | | | | |
|---------------|--------------|----------------------|----------|---------------------------------------|------------|-----------------------|--------------|-------------------------------|------|
| mat'l. code | | surface ISO1302 ✓ | | tolerance ISO1101 ISO406 | | projection ISO 1:2 | | product family MOD JACK | |
| l trechn nodr | | date | | tolerances unless otherwise specified | | mm | | title | |
| F | T80171 | CATHY | 6/10/98 | angle | 0.X±0.3 | scale 1.0 | | R/A 8 POS GANG JACK ASSY | |
| G | V12594 | LP | 3/20/02 | 0°±2' | 0.XX±0.15 | | | UNSHIELDED DIAMOND PEG | |
| H | V03-1103 | PJ | 10/21/03 | dr | 0.XXX±0.05 | | | dwg no | |
| J | N04-0119 | MHT | 12/9/04 | enr | KCHOU | 3/18/93 | sheet 2 of 5 | | size |
| K | ELX-N-010992 | SH MMD | 3/14/12 | chr | J.TSAO | 3/18/93 | 94711 | | A4 |
| sheet index | | revision sheet | | appd | | J.TSAO 3/18/93 | | type Product Customer Drawing | |

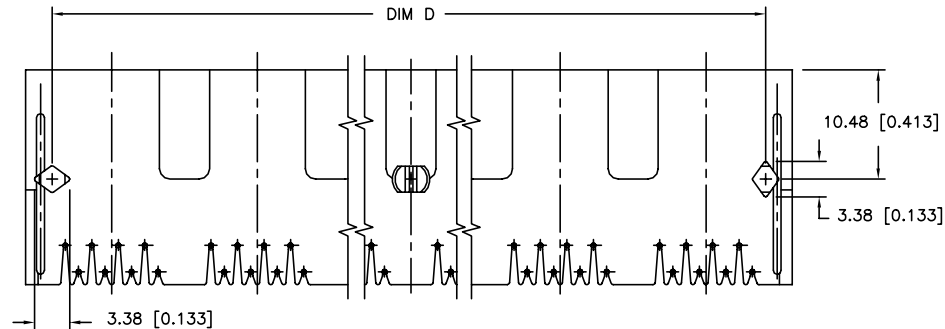


PRODUCT NO.
SEE TABLE



VIEW B-B

-XXXLF PRODUCT ONLY (WITHOUT CENTER PEG - SEE NOTE 4)



VIEW B-B

-XXXMLF PRODUCT ONLY (WITH CENTER PEG - SEE NOTE 3)

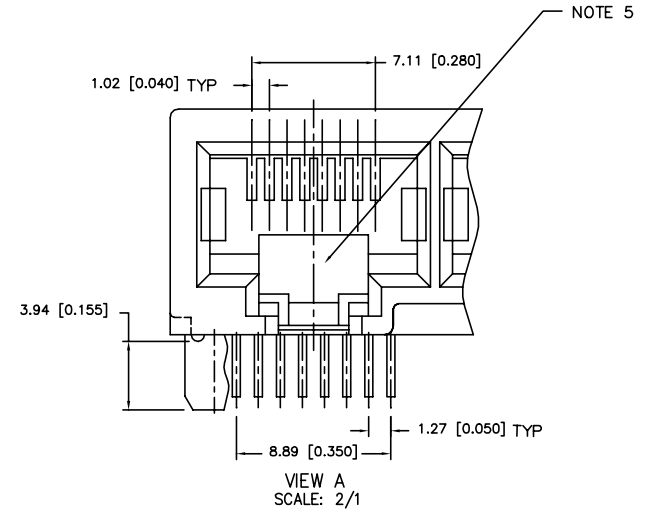
| | | | | | | | | | |
|--------------|---------------------|-----------|--|---------------------------------------|--------|------------|--|--------------------------|--------------------------|
| mat'l. code | | surface | | tolerance | | projection | | product family | |
| | | ISO1302 ✓ | | ISO1101 ISO406 | | | | MOD JACK | |
| ltr ecn nodr | | date | | tolerances unless otherwise specified | | mm | | title | |
| F | T80171 CATHY | 6/10/98 | | 0.X±0.3 | | ← mm → | | R/A 8 POS GANG JACK ASSY | |
| G | V12594 LP | 3/20/02 | | 0.XX±0.15 | | scale 1.0 | | UNSHIELDED DIAMOND PEG | |
| H | V03-1103 PJ | 10/21/03 | | 0.XXX±0.05 | | | | | |
| J | N04-0119 MHT | 12/9/04 | | dr | KCHOU | 3/18/93 | | dwg no | sheet 3 of 5 |
| K | ELX-N-010992 SH MMD | 3/14/12 | | engr | TC | 3/18/93 | | 94711 | A4 |
| | | | | chr | J.TSAO | 3/18/93 | | | |
| | | | | appd | J.TSAO | 3/18/93 | | type | Product Customer Drawing |
| sheet | revision | | | | | | | | |
| index | sheet | | | | | | | | |



| PRODUCT No. | NO OF PORTS | DIM A ^{+0.10 [0.004]} _{-0.20 [0.008]} | DIM B | DIM C ±0.10 [0.004] | DIM D ±0.15 [0.006] |
|--------------|-------------|---|----------------|---------------------|---------------------|
| 94711-X01MLF | 1 | 15.24 [0.600] | ----- | 5.72 [0.225] | 11.43 [0.450] |
| 94711-X02MLF | 2 | 30.48 [1.200] | 13.97 [0.550] | 12.70 [0.500] | 25.40 [1.000] |
| 94711-X03MLF | 3 | 44.45 [1.750] | 27.94 [1.100] | 19.69 [0.775] | 39.37 [1.550] |
| 94711-X04MLF | 4 | 58.42 [2.300] | 41.91 [1.650] | 26.67 [1.050] | 53.34 [2.100] |
| 94711-X05MLF | 5 | 72.39 [2.850] | 55.88 [2.200] | 33.66 [1.325] | 67.31 [2.650] |
| 94711-X06MLF | 6 | 86.36 [3.400] | 69.85 [2.750] | 40.64 [1.600] | 81.28 [3.200] |
| 94711-X07MLF | 7 | 100.33 [3.950] | 83.82 [3.300] | 47.63 [1.875] | 95.25 [3.750] |
| 94711-X08MLF | 8 | 114.30 [4.500] | 97.79 [3.850] | 54.61 [2.150] | 109.22 [4.300] |
| 94711-X09MLF | 9 | 128.27 [5.050] | 111.76 [4.400] | 61.60 [2.425] | 123.19 [4.850] |
| 94711-X10MLF | 10 | 142.24 [5.600] | 125.73 [4.950] | 68.58 [2.700] | 137.16 [5.400] |
| 94711-X11MLF | 11 | 156.21 [6.150] | 139.70 [5.500] | 75.57 [2.975] | 151.13 [5.950] |
| 94711-X12MLF | 12 | 170.18 [6.700] | 153.67 [6.050] | 82.55 [3.250] | 165.10 [6.500] |

| PRODUCT No. | NO OF PORTS | DIM A ^{+0.10 [0.004]} _{-0.20 [0.008]} | DIM B | DIM C ±0.10 [0.004] | DIM D ±0.15 [0.006] |
|-------------|-------------|---|----------------|---------------------|---------------------|
| 94711-X01LF | 1 | 15.24 [0.600] | ----- | 5.72 [0.225] | 11.43 [0.450] |
| 94711-X02LF | 2 | 30.48 [1.200] | 13.97 [0.550] | 12.70 [0.500] | 25.40 [1.000] |
| 94711-X03LF | 3 | 44.45 [1.750] | 27.94 [1.100] | 19.69 [0.775] | 39.37 [1.550] |
| 94711-X04LF | 4 | 58.42 [2.300] | 41.91 [1.650] | 26.67 [1.050] | 53.34 [2.100] |
| 94711-X05LF | 5 | 72.39 [2.850] | 55.88 [2.200] | 33.66 [1.325] | 67.31 [2.650] |
| 94711-X06LF | 6 | 86.36 [3.400] | 69.85 [2.750] | 40.64 [1.600] | 81.28 [3.200] |
| 94711-X07LF | 7 | 100.33 [3.950] | 83.82 [3.300] | 47.63 [1.875] | 95.25 [3.750] |
| 94711-X08LF | 8 | 114.30 [4.500] | 97.79 [3.850] | 54.61 [2.150] | 109.22 [4.300] |
| 94711-X09LF | 9 | 128.27 [5.050] | 111.76 [4.400] | 61.60 [2.425] | 123.19 [4.850] |
| 94711-X10LF | 10 | 142.24 [5.600] | 125.73 [4.950] | 68.58 [2.700] | 137.16 [5.400] |
| 94711-X11LF | 11 | 156.21 [6.150] | 139.70 [5.500] | 75.57 [2.975] | 151.13 [5.950] |
| 94711-X12LF | 12 | 170.18 [6.700] | 153.67 [6.050] | 82.55 [3.250] | 165.10 [6.500] |

NOTE: PLEASE CHECK FOR AVAILABILITY, NOT ALL OPTIONS AVAILABLE.



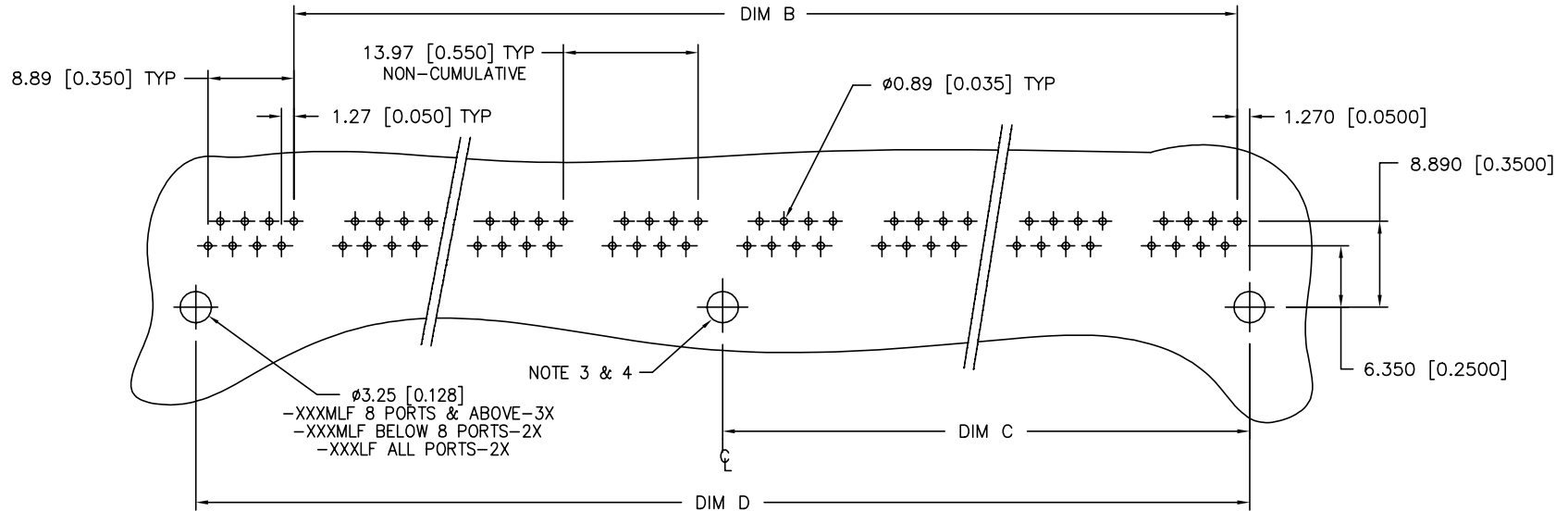
| PLATING CODE X | PLATING |
|----------------|-------------------------------------|
| 0 | 5u" Au + high performance lubricant |
| 1 | .38uM/15u" GTX |
| 3 | 5u" Au + high performance lubricant |
| 5 | 1.27uM/50u" GTX |

NOTES:

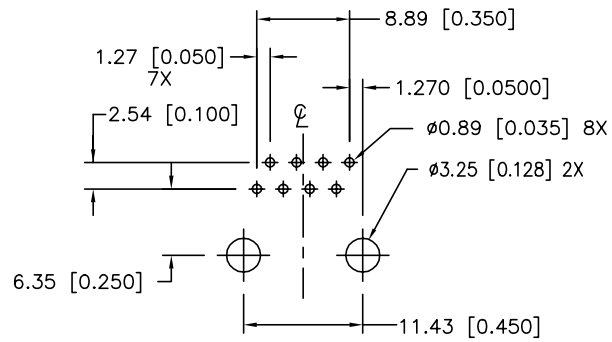
1. APPLICABLE PC BOARD THICKNESS: 1.60 [0.062].
2. CONTACTS: PHOSPHOR BRONZE ALLOY UNS-C51000, Ø0.460 [0.0181] ROUND WIRE, SEE TABLE FOR PLATING.
- ③ CENTER PEG FOR 8 PORTS AND ABOVE, (-XXXMLF PRODUCT ONLY).
- ④ NO CENTER PEG FOR -XXXLF PRODUCT.
5. COMPANY LOGO LOCATED IN THIS AREA.
6. PART NUMBERS WITH LF IN THE END ARE LEAD FREE
7. THIS PRODUCT MEETS EUROPEAN UNION DIRECTIVES AND OTHER COUNTRY REGULATION AS DESCRIBED IN GS-22-008.
8. THE HOUSING WITHSTAND EXPOSURE TO 260° PEAK TEMPERATURE FOR 15 SECONDS IN CONVENTION INFRA-RED OR VAPOR PHASE REFLOW OVEN.

| | | | | | | | | | | |
|--------------|--------------|---|----------|--|------------|------------|------|--|--------------------------|--|
| mat'l. code | | surface <input checked="" type="checkbox"/> ISO1302 | | tolerance <input checked="" type="checkbox"/> ISO1101 <input checked="" type="checkbox"/> ISO406 | | projection | | product family MOD JACK | | |
| ltr ecn nodr | | date | | tolerances unless otherwise specified | | mm | | R/A 8 POS GANG JACK ASSY UNSHIELDED DIAMOND PEG | | |
| F | T80171 | CATHY | 6/10/98 | angle | 0.X±0.3 | scale 1.0 | | dwg no | | |
| G | V12594 | LP | 3/20/02 | 0°±2' | 0.XX±0.15 | | | sheet 4 of 5 | | |
| H | V03-1103 | PJ | 10/21/03 | | 0.XXX±0.05 | | | size A4 | | |
| J | N04-0119 | MHT | 12/9/04 | dir | KCHOU | 3/18/93 | FCI | | 94711 | |
| K | ELX-N-010992 | SH MMD | 3/14/12 | enr | TC | 3/18/93 | type | | Product Customer Drawing | |
| | | | | chr | J.TSAO | 3/18/93 | | | | |
| | | | | appd | J.TSAO | 3/18/93 | | | | |
| sheet | revision | | | | | | | | | |
| index | sheet | | | | | | | | | |

PRODUCT NO.
SEE TABLE



RECOMMENDED PC BOARD LAYOUT
(2 THRU 12 PORTS)



RECOMMENDED PC BOARD LAYOUT
(1 PORT)

| | | | | | | | | | |
|-------------|--------------|----------------------|----------|-----------------------------|---------|---------------------------------------|--|-------------------------------|--|
| mat'l. code | | surface ISO1302 ✓ | | tolerance ISO1101 ISO406 | | projection ASME Y14.5M | | product family MOD JACK | |
| l | tr | ec | nd | dr | date | tolerances unless otherwise specified | | title | |
| F | T80171 | CATHY | 6/10/98 | angle | 3/18/93 | 0.X±0.3 | | R/A 8 POS GANG JACK ASSY | |
| G | V12594 | LP | 3/20/02 | size | 3/18/93 | 0.XX±0.15 | | UNSHIELDED DIAMOND PEG | |
| H | V03-1103 | PJ | 10/21/03 | 0°±2' | 3/18/93 | 0.XXX±0.05 | | scale 1.0 | |
| J | N04-0119 | MHT | 12/9/04 | dir | KCHOU | 3/18/93 | | dwg no | |
| K | ELX-N-010992 | SH MMD | 3/14/12 | enr | TC | 3/18/93 | | sheet 5 of 5 | |
| | | | | chr | J.TSAO | 3/18/93 | | size | |
| | | | | appd | J.TSAO | 3/18/93 | | A4 | |
| sheet index | | revision sheet | | | | | | type Product Customer Drawing | |



Mouser Electronics

Authorized Distributor

Click to View Pricing, Inventory, Delivery & Lifecycle Information:

[FCI / Amphenol:](#)

[94711-001](#) [94711-001LF](#)