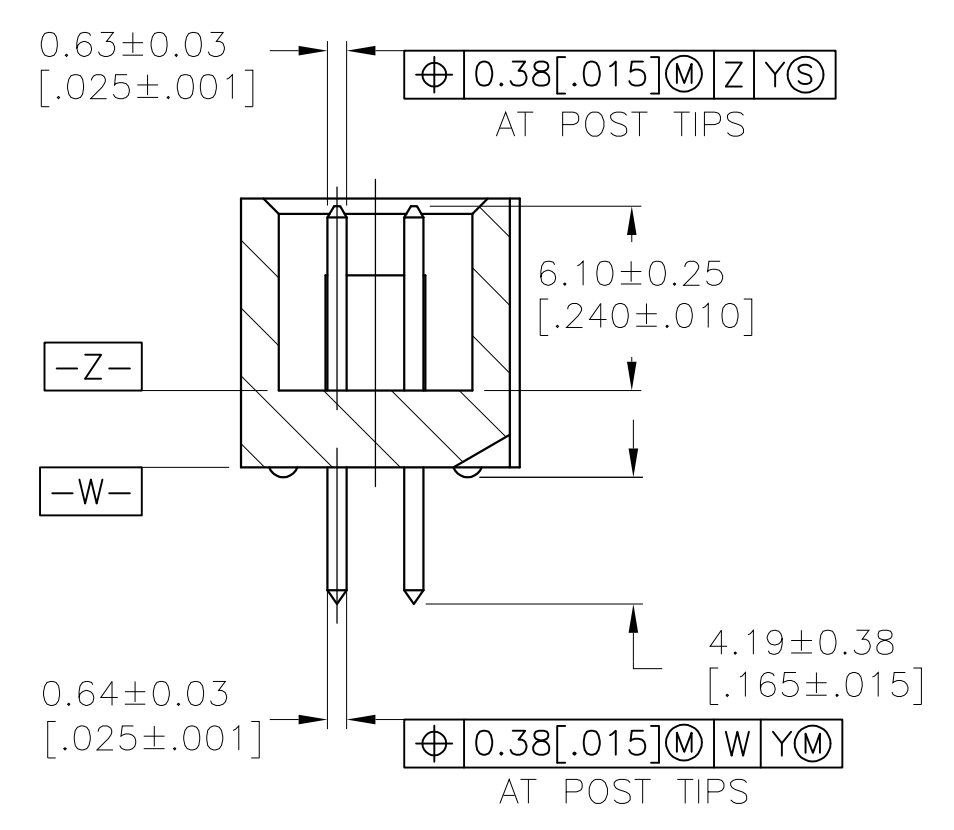
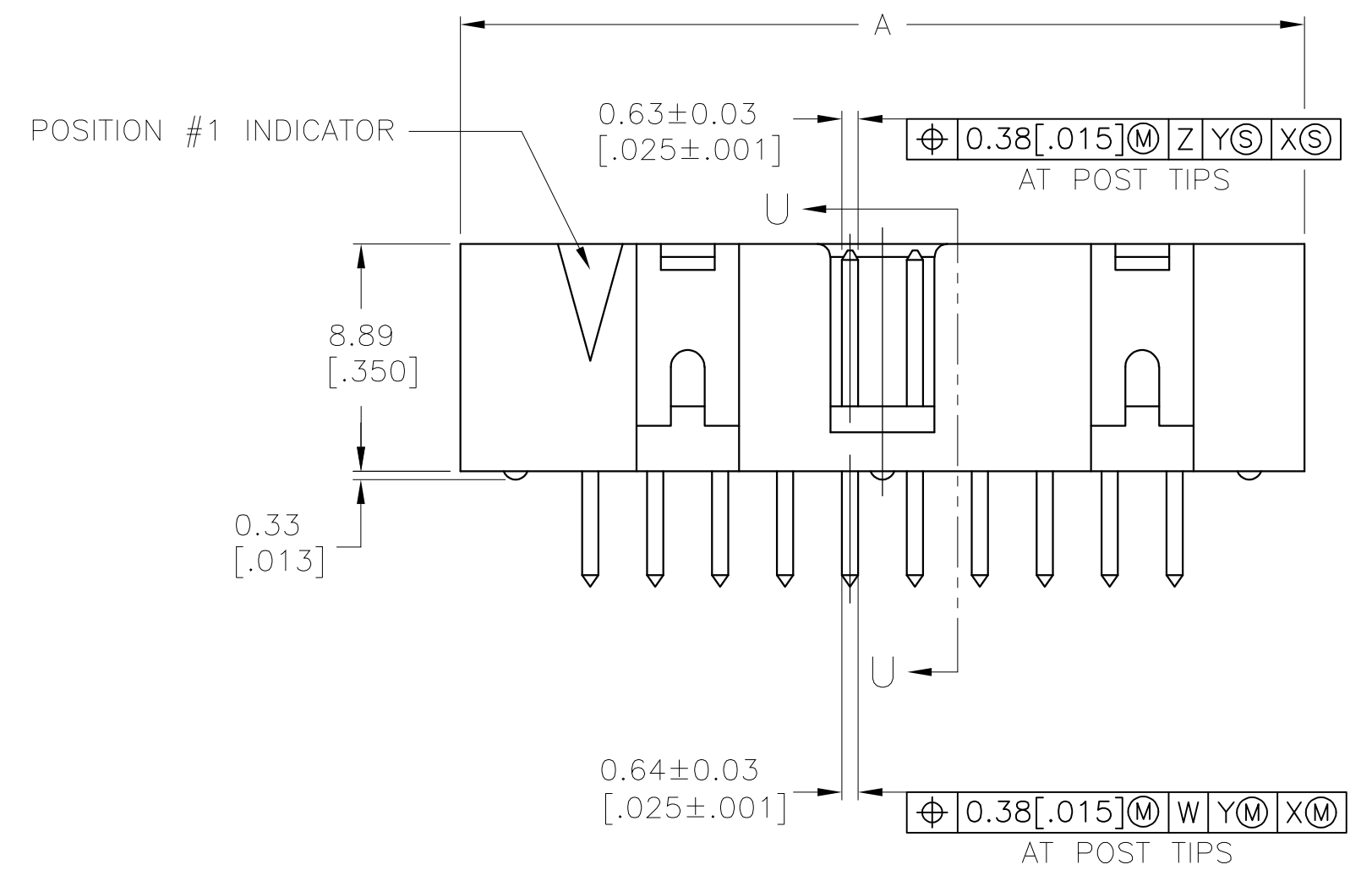
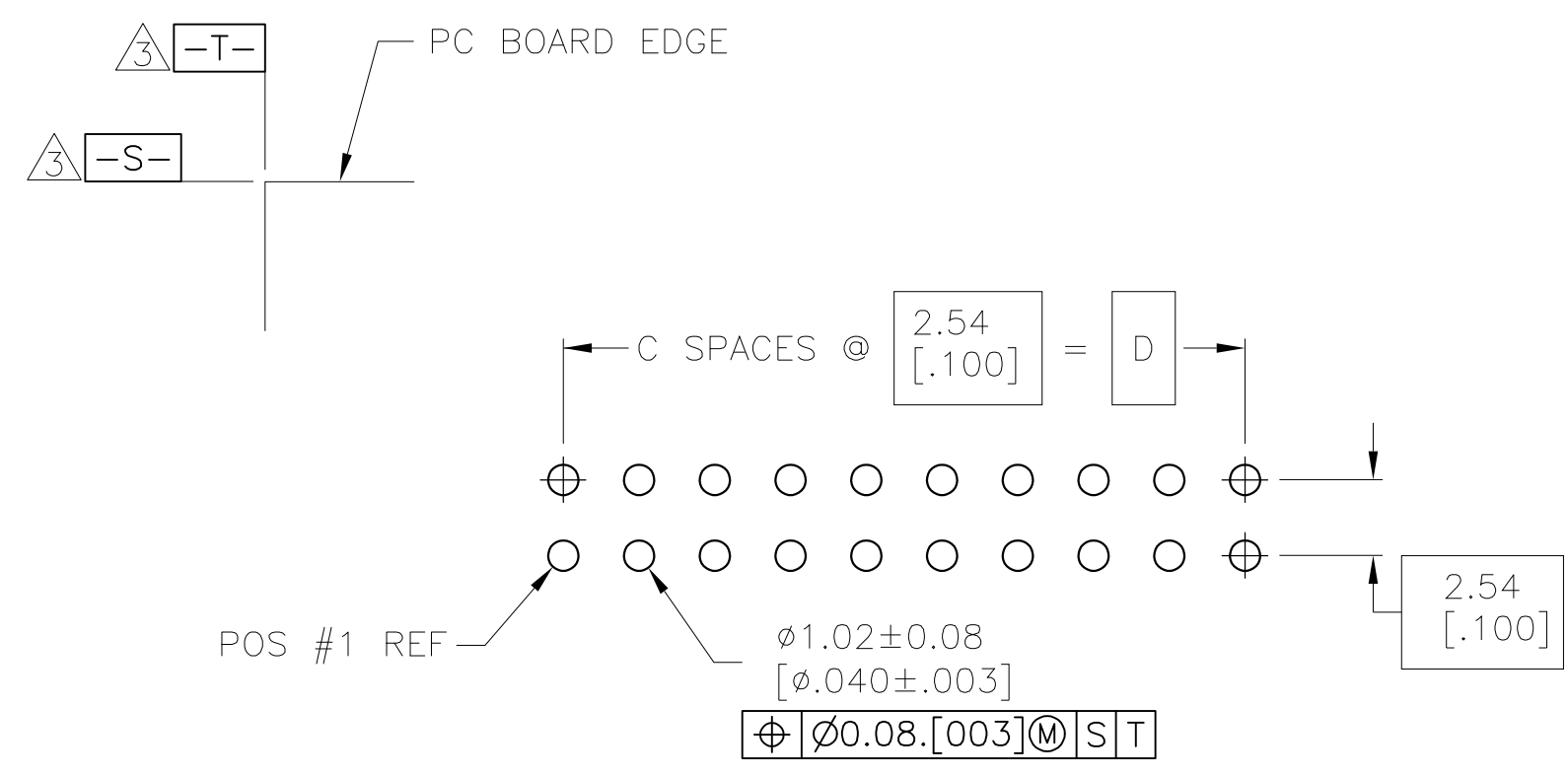
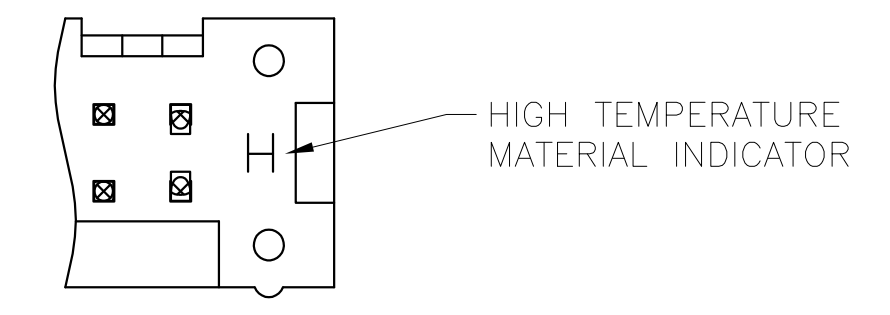


- △ HOUSING: PCT, UL94V-0, COLOR BLACK.
- △ POSTS: PHOSPHOR BRONZE.
- △ POSTS: 0.00038[.000015] MIN GOLD ON MATING AREA, 0.00254[.000100] MIN TIN ON SOLDER END, ALL OVER 0.00127[.000050] MIN NICKEL ON ENTIRE POST.
- △ DATUMS S & T TO BE ESTABLISHED BY CUSTOMER.
- △ NO KEYING SLOT ON THIS END FOR 10 POSITION ASSEMBLY.
- △ NO KEYING SLOT ON THIS END FOR 10 POSITION ASSEMBLY.



SECTION U-U



RECOMMENDED PC BOARD LAYOUT (VIEWED FROM CONNECTOR SIDE)

OBSOLETE	78.74 [3.100]	31	86.36 [3.400]	88.90 [3.500]	64	1-1761683-7	
	73.66 [2.900]	29	81.28 [3.200]	83.82 [3.300]	60	1-1761683-6	
	60.96 [2.400]	24	68.58 [2.700]	71.12 [2.800]	50	1-1761683-5	
	48.26 [1.900]	19	55.88 [2.200]	58.42 [2.300]	40	1-1761683-3	
	40.64 [1.600]	16	48.26 [1.900]	50.80 [2.000]	34	1-1761683-1	
	30.48 [1.200]	12	38.10 [1.500]	40.64 [1.600]	26	1761683-9	
	22.86 [.900]	9	30.48 [1.200]	33.02 [1.300]	20	1761683-7	
	10.16 [.400]	4	17.78 [.700]	20.32 [.800]	10	1761683-3	
		D	C	B	A	NO OF POS	PART NUMBER

THIS DRAWING IS A CONTROLLED DOCUMENT.

DIMENSIONS:	TOLERANCES UNLESS OTHERWISE SPECIFIED:	DIN B. CRISAMORE/DTI	OSJUNOS	STE TE Connectivity	
mm	0 PLC ± -	CHK S. BOLASH	OSJUNOS	NAME	
	1 PLC ± -	APVD M. WALMSLEY	OSJUNOS	PRODUCT SPEC	
	2 PLC ± -	PRODUCT SPEC		APPLICATION SPEC	
	3 PLC ± 0.13[.005]			SIZE	
	4 PLC ± -			CAGE CODE	
	ANGLES ± -			DRAWING NO	
MATERIAL	FINISH	WEIGHT		RESTRICTED TO	
				A1 00779 C=1761683	
				CUSTOMER DRAWING	

SCALE 4:1 SHEET 1 OF 1 REV A1

Mouser Electronics

Authorized Distributor

Click to View Pricing, Inventory, Delivery & Lifecycle Information:

[TE Connectivity:](#)

[1761683-3](#)