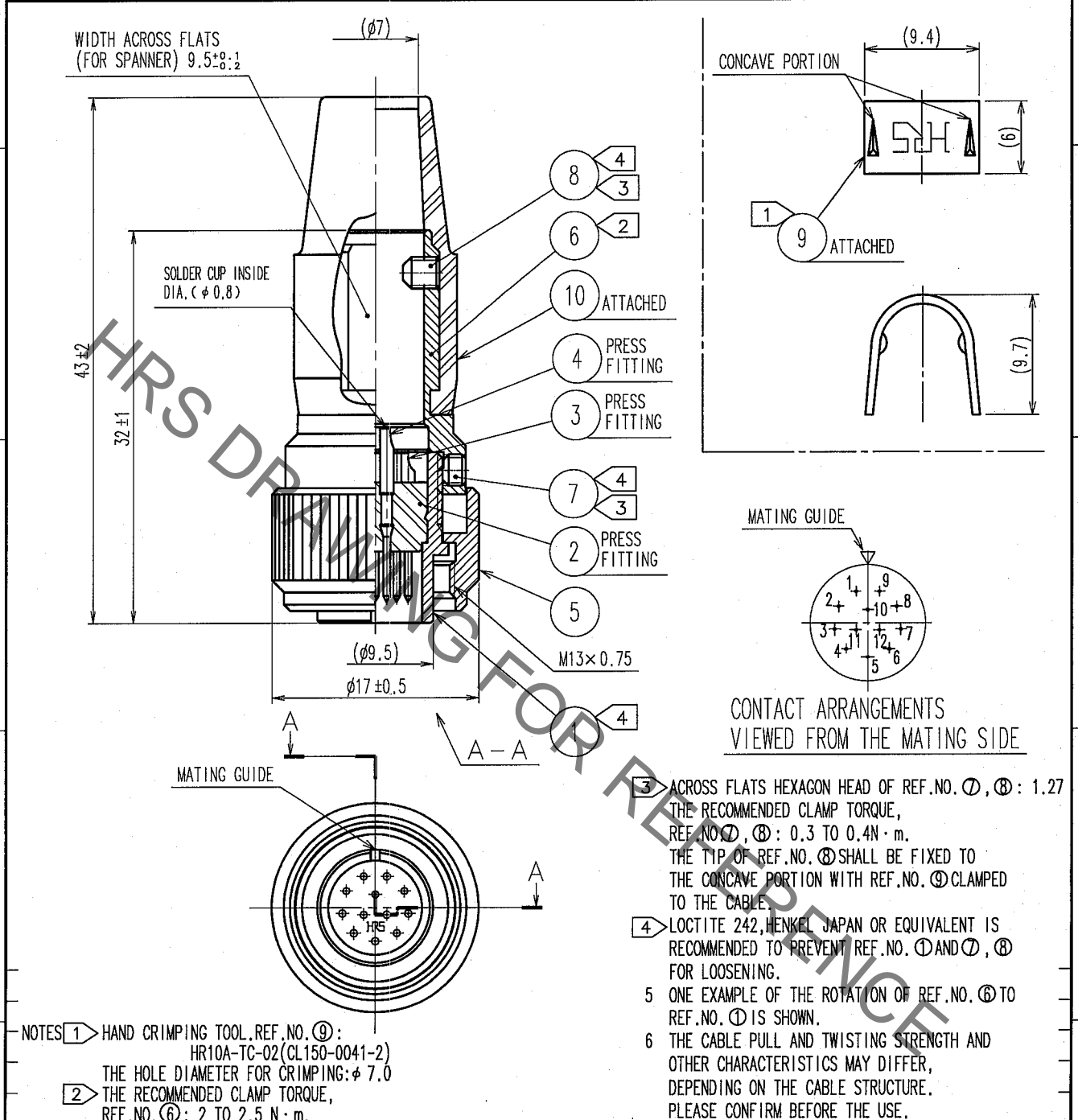


Mar. 1. 2020 Copyright 2020 HIROSE ELECTRIC CO., LTD. All Rights Reserved.
In case of consideration for using Automotive equipment / device which demand high reliability, kindly contact our sales window correspondents.

1		2			3			4		
COUNT	DESCRIPTION OF REVISIONS	BY	CHKD	DATE	COUNT	DESCRIPTION OF REVISIONS	BY	CHKD	DATE	
△					△					
△					△					
△					△					



5	BRASS	NICKEL PLATING	10	CHLOROPRENE RUBBER (BLACK)	
4	BRASS	SILVER PLATING 2 μ m min.	9	BRASS	
3			8	STEEL	
2	POLYAMIDE	(BLACK) UL94V-0	7	STEEL	
1	BRASS	NICKEL PLATING	6	BRASS	
NO.	MATERIAL	FINISH, REMARKS	NO.	MATERIAL	FINISH, REMARKS

CODE NO. (OLD)	CL	DRAWN	DESIGNED	CHECKED	APPROVED	RELEASED
		M. Sato	H. Kawashima	Y. Yamada	E. Kunii	
		07.05.08	07.5.8	07.05.08	07.05.08	

SCALE	DRAWING NO.	PART NO.	CODE NO.
2 : 1	EDC4-041531-73	HR10A-10TPA-12P (73)	CL110-0447-8-73
UNITS mm	HRS HIROSE ELECTRIC CO., LTD.		1/1