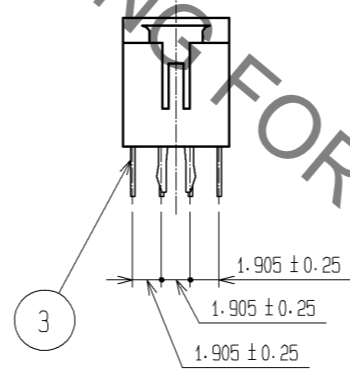
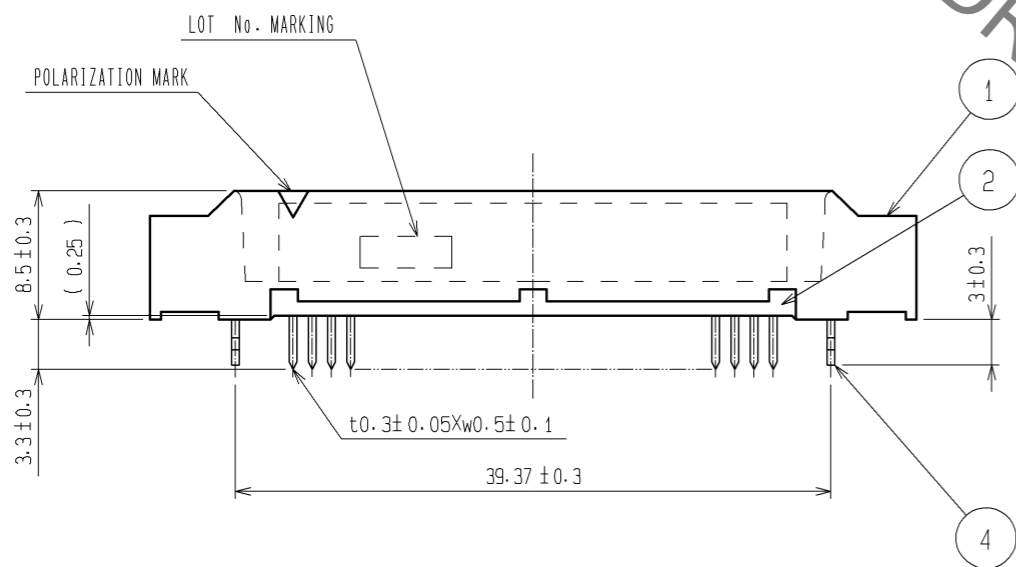
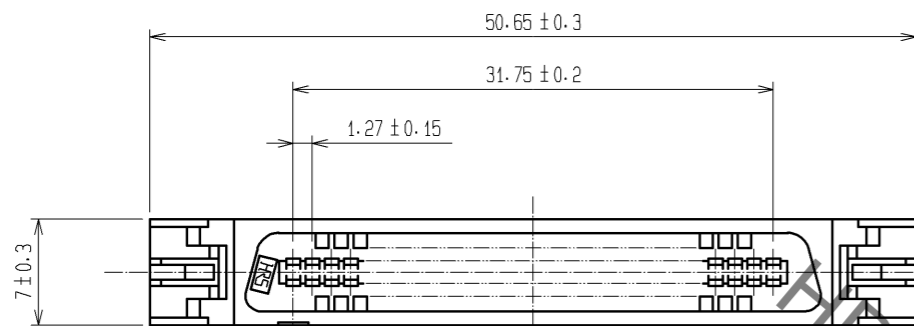
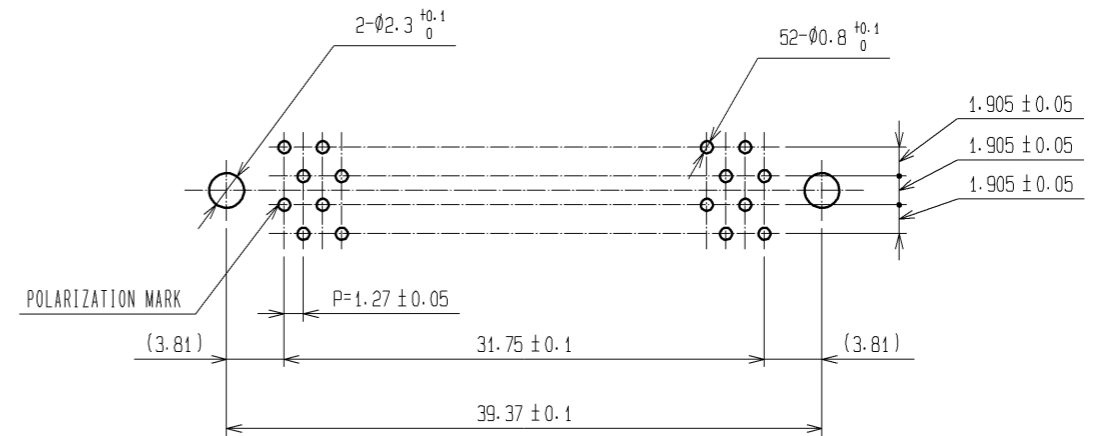


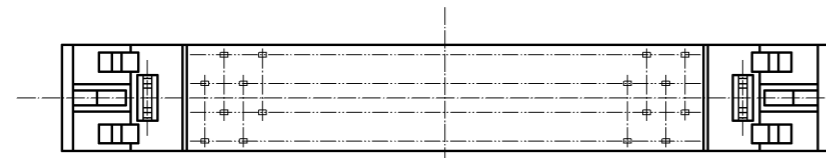
Oct.1.2020 Copyright 2020 HIROSE ELECTRIC CO., LTD. All Rights Reserved.
 In case of consideration for using Automotive equipment / device which demand high reliability, kindly contact our sales window correspondents.



RECOMMENDED PC BOARD HOLE PATTERN(MOUNTING SIDE)



NOTE 1 THE DIMENSIONS IN PARENTHESES ARE FOR REFERENCE.



4	PHOSPHOR BRONZE	TIN-PLATING		3	PHOSPHOR BRONZE	CONTACT AREA:GOLD 0.2 μm min.		
1,2	POLYAMIDE	BLACK UL94V-0				DIP AREA:TIN-PLATING 2μm min.		
						UNDER PLATING:NICKEL 2μm min.		
NO.	MATERIAL	FINISH .	REMARKS	NO.	MATERIAL	FINISH .	REMARKS	
UNITS	⊙	SCALE	COUNT	DESCRIPTION OF REVISIONS		DESIGNED	CHECKED	DATE
mm		2 : 1	△					
HRS HIROSE ELECTRIC CO., LTD.		APPROVED : HS. OKAWA	08.07.16	DRAWING NO.		EDC3-082375-21		
		CHECED : HT. YAMAGUCHI	08.07.16	PART NO.		FX2B-52P-1. 27DSAL(71)		
		DESIGNED : KN. SHIBUYA	08.07.15	CODE NO.		CL572-0854-0-71		△ 1/1
		DRAWN : AH. EDASHIGE	08.06.17					