

# MAX14586/MAX14590

## High-Current Overvoltage Protectors with Adjustable OVLO

### General Description

The MAX14586/MAX14590 overvoltage protection devices feature a low 48mΩ (typ) on-resistance ( $R_{ON}$ ) internal FET and protect low-voltage systems against voltage faults up to +36V. When the input voltage exceeds the overvoltage threshold, the internal FET is turned off to prevent damage to the protected components.

The overvoltage protection threshold can be adjusted with optional external resistors to any voltage between 4V and 20V. With the OVLO input set below the external OVLO select voltage, the devices automatically choose the internal accurate trip thresholds. The internal overvoltage thresholds (OVLO) are preset to 7V typical (MAX14586) or 15V typical (MAX14590). The devices are also protected against overcurrent events by an internal thermal shutdown.

The MAX14586/MAX14590 are offered in a small, 8-pin TDFN package with exposed pad and operate over the -40°C to +85°C extended temperature range.

### Applications

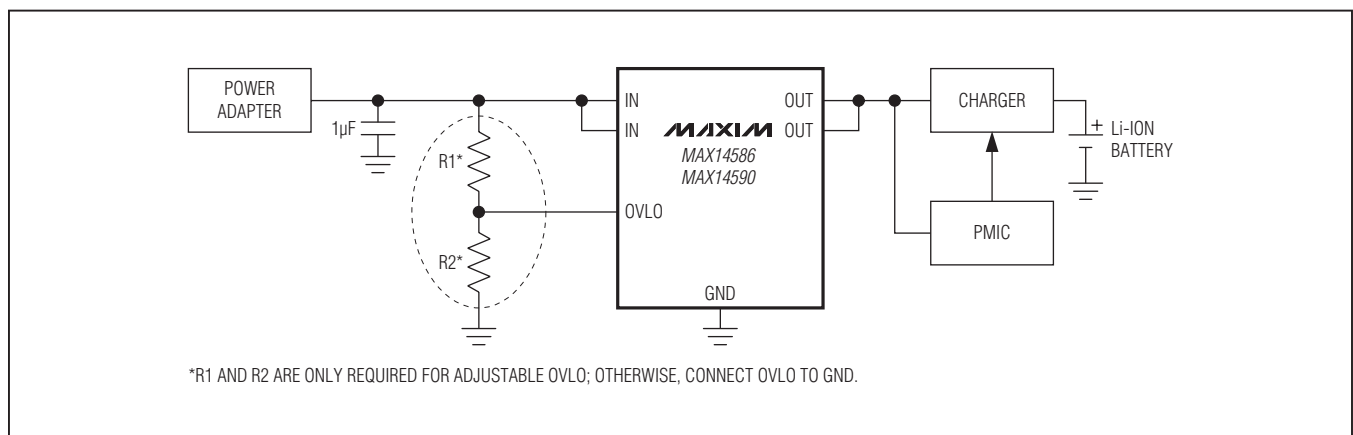
Smartphones  
Tablet PCs  
Mobile Internet Devices

### Benefits and Features

- ◆ **Protect High-Power Portable Devices**
  - ◇ Wide Operating Input Voltage Protection from +2.2V to +36V
  - ◇ 3A Continuous Current Capability
  - ◇ Integrated 40mΩ (typ) n-Channel MOSFET Switch
- ◆ **Flexible Overvoltage Protection Design**
  - ◇ Adjustable Overvoltage Protection Trip Level
  - ◇ Wide Adjustable OVLO Threshold Range from +4V to +20V
  - ◇ Preset Internal Accurate OVLO Thresholds:
    - 7V ±2.9% (MAX14586)
    - 15V ±3.3% (MAX14590)
- ◆ **Additional Protection Features Increase System Reliability**
  - ◇ Soft-Start to Minimize In-Rush Current
  - ◇ Internal 15ms Startup Debounce
  - ◇ Thermal-Shutdown Protection
- ◆ **Minimize PCB Area**
  - ◇ 8-Pin TDFN (2mm x 2mm) Package

*Ordering Information appears at end of data sheet.*

### Typical Application Circuit



For related parts and recommended products to use with this part, refer to: [www.maxim-ic.com/MAX14586.related](http://www.maxim-ic.com/MAX14586.related)

# MAX14586/MAX14590

## High-Current Overvoltage Protectors with Adjustable OVLO

### ABSOLUTE MAXIMUM RATINGS

(All voltages referenced to GND.)

IN	-0.3V to +40V
OUT	-0.3V to ( $V_{IN} + 0.3V$ )
OVLO	-0.3V to +6V
Continuous IN, OUT Current (Note 1)	3A
Peak IN, OUT Current (10ms)	5A
Continuous OVLO Current	50 $\mu$ A

Continuous Power Dissipation ( $T_A = +70^\circ\text{C}$ )

TDFN (derate 11.9mW/ $^\circ\text{C}$ above +70 $^\circ\text{C}$ )	954mW
Operating Temperature Range	-40 $^\circ\text{C}$ to +85 $^\circ\text{C}$
Junction Temperature	+150 $^\circ\text{C}$
Storage Temperature Range	-65 $^\circ\text{C}$ to +150 $^\circ\text{C}$
Lead Temperature (soldering, 10s)	+300 $^\circ\text{C}$
Soldering Temperature (reflow)	+260 $^\circ\text{C}$

**Note 1:** Continuous current limited by thermal design.

Stresses beyond those listed under "Absolute Maximum Ratings" may cause permanent damage to the device. These are stress ratings only, and functional operation of the device at these or any other conditions beyond those indicated in the operational sections of the specifications is not implied. Exposure to absolute maximum rating conditions for extended periods may affect device reliability.

### PACKAGE THERMAL CHARACTERISTICS (Note 2)

TDFN

Junction-to-Ambient Thermal Resistance ( $\theta_{JA}$ )	83.9 $^\circ\text{C}/\text{W}$
Junction-to-Case Thermal Resistance ( $\theta_{JC}$ )	37 $^\circ\text{C}/\text{W}$

**Note 2:** Package thermal resistances were obtained using the method described in JEDEC specification JESD51-7, using a four-layer board. For detailed information on package thermal considerations, refer to [www.maxim-ic.com/thermal-tutorial](http://www.maxim-ic.com/thermal-tutorial).

### ELECTRICAL CHARACTERISTICS\*

( $V_{IN} = +2.2V$  to +36V,  $T_A = -40^\circ\text{C}$  to +85 $^\circ\text{C}$ , unless otherwise noted. Typical values are at  $V_{IN} = +5.0V$  and  $T_A = +25^\circ\text{C}$ .) (Note 3)

PARAMETER	SYMBOL	CONDITIONS	MIN	TYP	MAX	UNITS	
Input Voltage Range	$V_{IN}$		2.2		36	V	
Input Supply Current	$I_{IN}$	$V_{IN} < 5V$		65	120	$\mu\text{A}$	
IN Overvoltage Trip Level	$V_{IN\_OVLO}$	$V_{IN}$ rising	MAX14586	6.8	7	7.2	V
			MAX14590	14.5	15	15.5	
		$V_{IN}$ falling	MAX14586	6.73	6.93	7.13	
			MAX14590	14.35	14.85	15.35	
IN Overvoltage Lockout Hysteresis	$V_{IN\_OVLO\_HYS}$			1		%	
OVLO Set Threshold	$V_{OVLO\_THRESH}$		1.18	1.223	1.26	V	
Adjustable OVLO Threshold Range			4		20	V	
External OVLO Select Threshold	$V_{OVLO\_SELECT}$		0.25	0.35	0.4	V	
Switch On-Resistance	$R_{ON}$	$I_{OUT} = 100\text{mA}$ , $T_A = +25^\circ\text{C}$ , $V_{IN} = 5V$		48	81	$\text{m}\Omega$	
		$I_{OUT} = 100\text{mA}$ , $T_A = -40^\circ\text{C}$ to +85 $^\circ\text{C}$			115		
OVLO Clamp		$I_{CLAMP} = 10\mu\text{A}$ , $V_{IN} = 5V$		3.6		V	
OUT Capacitor	$C_{OUT}$				1000	$\mu\text{F}$	
OVLO Input Leakage Current	$I_{OVLO}$	$V_{OVLO\_THRESH} = 1.221V$	-100		+100	nA	
Thermal Shutdown				+150		$^\circ\text{C}$	
Thermal Shutdown Hysteresis				20		$^\circ\text{C}$	

# MAX14586/MAX14590

## High-Current Overvoltage Protectors with Adjustable OVLO

### ELECTRICAL CHARACTERISTICS\* (continued)

( $V_{IN} = +2.2V$  to  $+36V$ ,  $T_A = -40^\circ C$  to  $+85^\circ C$ , unless otherwise noted. Typical values are at  $V_{IN} = +5.0V$  and  $T_A = +25^\circ C$ .) (Note 3)

PARAMETER	SYMBOL	CONDITIONS	MIN	TYP	MAX	UNITS
<b>TIMING CHARACTERISTICS (Figure 1)</b>						
Debounce Time	$t_{INDBC}$	Time from $2.2V < V_{IN} < V_{IN\_OVLO}$ to $V_{OUT} = 10\%$ of $V_{IN}$		15		ms
Soft-Start Time	$t_{SS}$	Soft-start time beginning from $V_{OUT} = 10\%$ of $V_{IN}$ to soft-start off		15		ms
Switch Turn-On Time	$t_{ON}$	$2.2V < V_{IN} < V_{IN\_OVLO}$ , $R_{LOAD} = 100\Omega$ , $C_{LOAD} = 100\mu F$ ; $V_{OUT}$ from 10% to 90% of $V_{IN}$		1.48		ms
		$2.2V < V_{IN} < V_{IN\_OVLO}$ , $R_{LOAD} = 100\Omega$ , $C_{LOAD} = 1mF$ ; $V_{OUT}$ from 10% to 90% of $V_{IN}$		5.24		
Switch Turn-Off Time	$t_{OFF}$	$V_{IN} > V_{OVLO\_THRESH}$ to $V_{OUT} = 80\%$ of $V_{IN\_OVLO}$ ; $R_{LOAD} = 100\Omega$ , $V_{IN}$ rising at $2V/\mu s$		0.8	3.5	$\mu s$

**Note 3:** All specifications are 100% production tested at  $T_A = +25^\circ C$ , unless otherwise noted. Specifications are over  $-40^\circ C$  to  $+85^\circ C$  and are guaranteed by design.

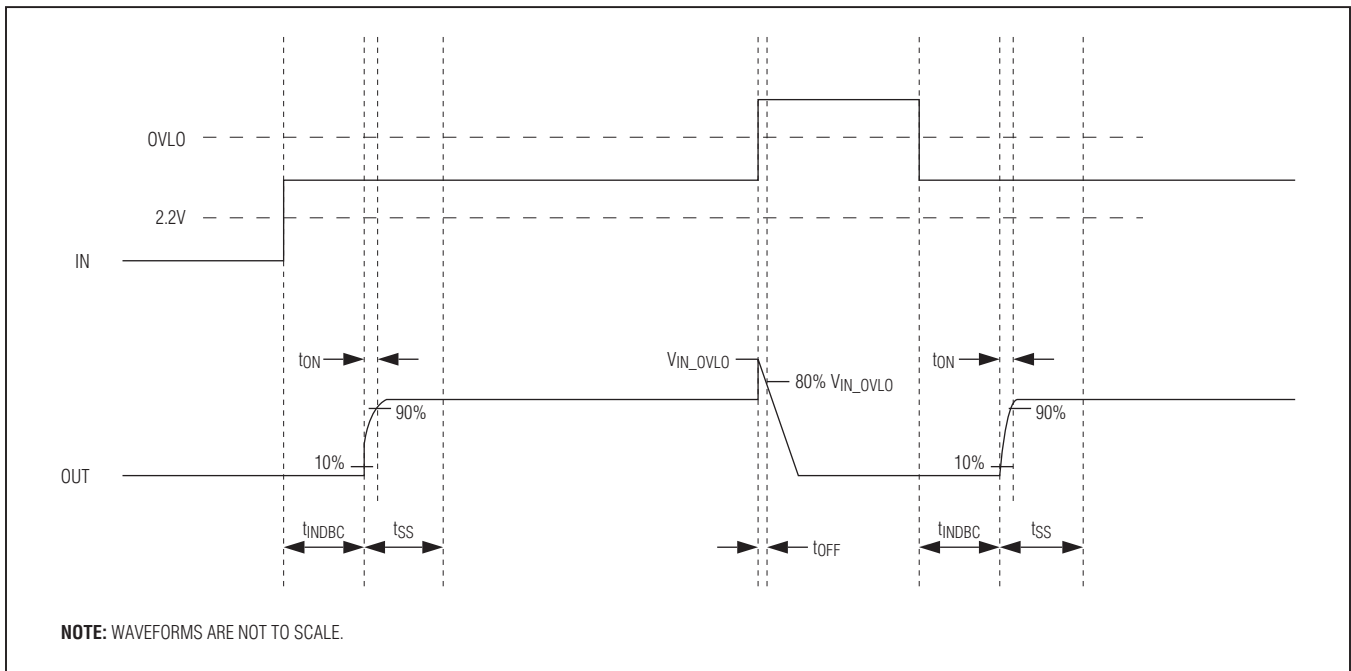


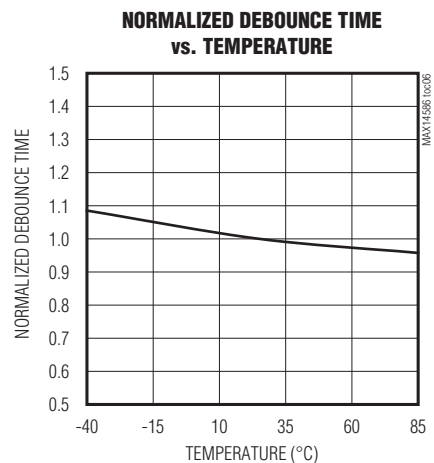
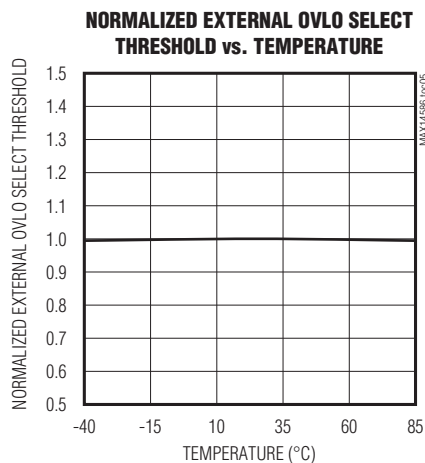
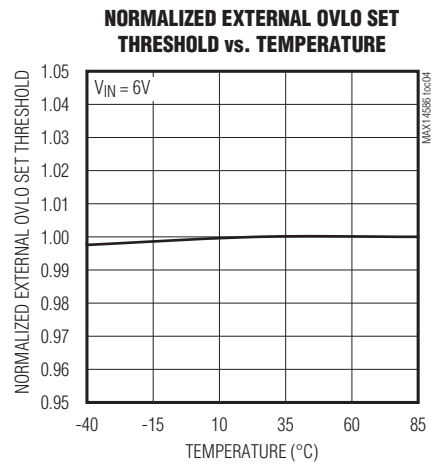
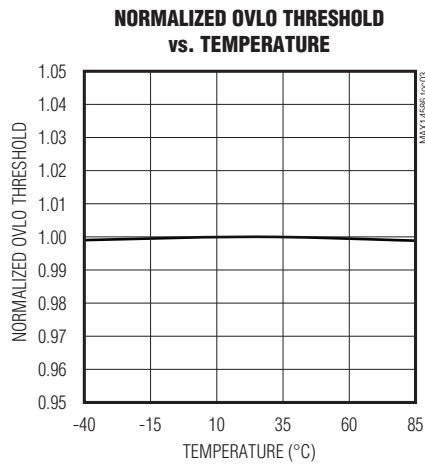
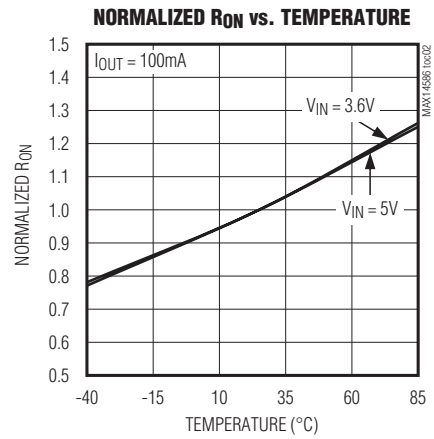
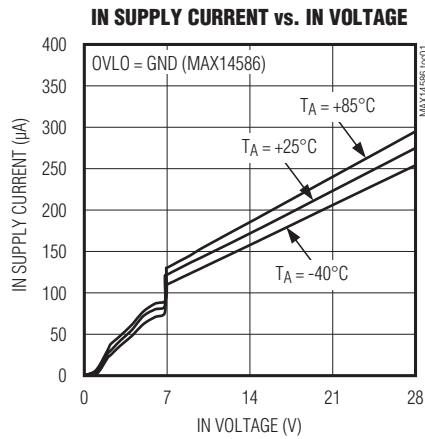
Figure 1. Timing Diagram

# MAX14586/MAX14590

## High-Current Overvoltage Protectors with Adjustable OVLO

### Typical Operating Characteristics

( $V_{IN} = +5.0V$ ,  $C_{IN} = 1\mu F$ ,  $C_{OUT} = 1\mu F$ ,  $T_A = +25^\circ C$ , unless otherwise noted.)

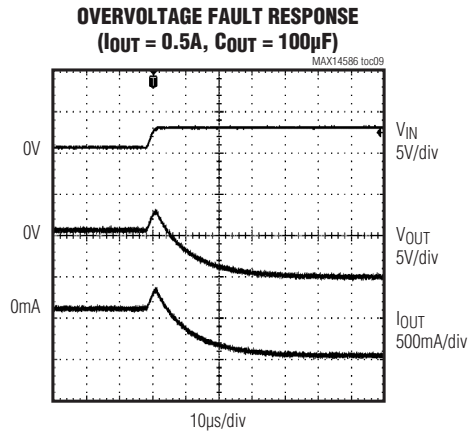
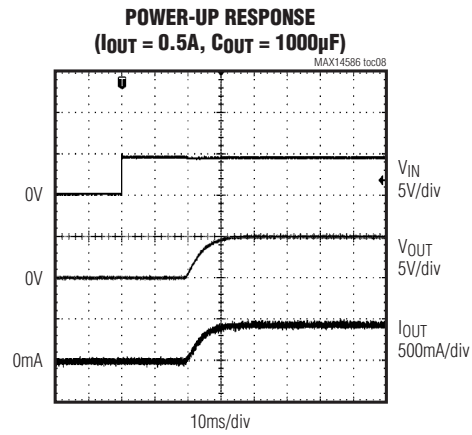
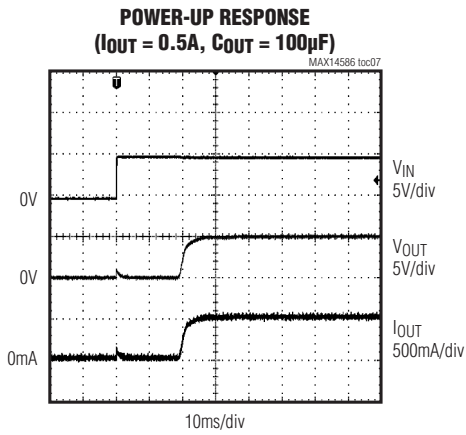


# MAX14586/MAX14590

## High-Current Overvoltage Protectors with Adjustable OVLO

### Typical Operating Characteristics (continued)

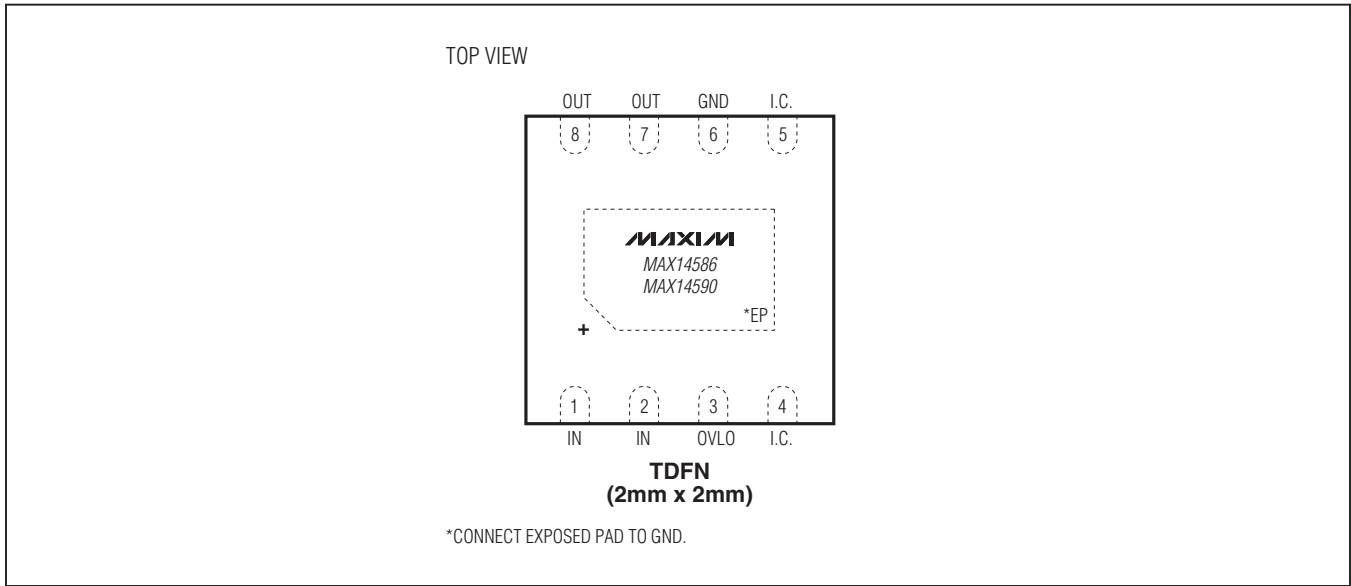
( $V_{IN} = +5.0V$ ,  $C_{IN} = 1\mu F$ ,  $C_{OUT} = 1\mu F$ ,  $T_A = +25^\circ C$ , unless otherwise noted.)



# MAX14586/MAX14590

## High-Current Overvoltage Protectors with Adjustable OVLO

### Pin Configuration



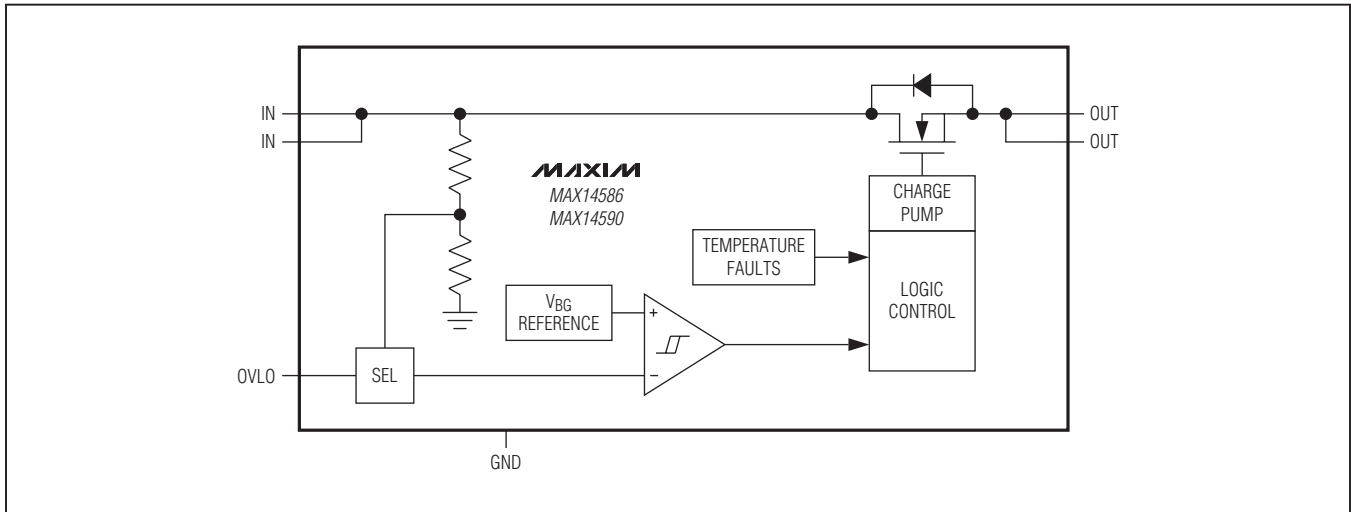
### Pin Description

PIN	NAME	FUNCTION
1, 2	IN	Voltage Input. Bypass IN with a 1 $\mu$ F ceramic capacitor as close as possible to the device to obtain $\pm 15$ kV Human Body Model (HBM) ESD protection. Connect both IN pins together for proper operation. IN is protected to $\pm 2$ kV HBM when IN is not bypassed with a capacitor to GND.
3	OVLO	External OVLO Adjustment. Connect OVLO to GND when using the internal threshold. Connect a resistor-divider to OVLO to set a different OVLO threshold; this external resistor-divider is completely independent from the internal threshold.
4, 5	I.C.	Internally Connected. Connect I.C. to GND or leave I.C. unconnected.
6	GND	Ground
7, 8	OUT	Output Voltage. Output of internal switch. Connect both OUT pins together for proper operation.
—	EP	Exposed Pad. Connect EP to ground. For enhanced thermal dissipation, connect EP to a copper area as large as possible. Do not use EP as the only ground connection.

# MAX14586/MAX14590

## High-Current Overvoltage Protectors with Adjustable OVLO

### Functional Diagram



### Detailed Description

The MAX14586/MAX14590 overvoltage protection devices feature a low on-resistance ( $R_{ON}$ ) internal FET and protect low-voltage systems against voltage faults up to +36V. If the input voltage exceeds the overvoltage threshold, the internal FET is turned off to prevent damage to the protected components. The 15ms debounce time prevents false turn-on of the internal FET during startup.

#### Device Operation

The devices have timing logic that controls the turn-on of the internal FET. If  $V_{IN} < V_{OVLO\_THRESH}$ , the internal charge pump is enabled. The charge-pump startup, after a 15ms debounce delay, turns on the internal FET (see the [Functional Diagram](#)). After the debounce time, soft-start limits the FET inrush current for 15ms (typ). At any time, if  $V_{IN}$  rises above  $V_{OVLO\_THRESH}$ , OUT is disconnected from IN.

#### Internal Switch

The devices incorporate an internal FET with a 48m $\Omega$  (typ)  $R_{ON}$ . The FET is internally driven by a charge pump that generates a necessary gate voltage above IN. The internal FET can pass more than 5A inrush current.

### Overvoltage Lockout (OVLO)

The MAX14586 has a 7V (typ) overvoltage threshold. The MAX14590 has a 15V (typ) overvoltage threshold.

### Thermal Shutdown Protection

The devices feature thermal shutdown circuitry. The internal FET turns off when the junction temperature exceeds +150°C (typ). The device exits thermal shutdown after the junction temperature cools by 20°C (typ).

### Applications Information

#### IN Bypass Capacitor

For most applications, bypass IN to GND with a 1 $\mu$ F ceramic capacitor as close as possible to the device to enable  $\pm 15$ kV (HBM) ESD protection on IN. If  $\pm 15$ kV (HBM) ESD is not required, there is no capacitor required at IN. If the power source has significant inductance due to long lead length, take care to prevent overshoots due to the LC tank circuit and provide protection if necessary to prevent exceeding the +40V absolute maximum rating on IN.

#### OUT Output Capacitor

The slow turn-on time provides a soft-start function that allows the devices to charge an output capacitor up to 1000 $\mu$ F without turning off due to an overcurrent condition.

# MAX14586/MAX14590

## High-Current Overvoltage Protectors with Adjustable OVLO

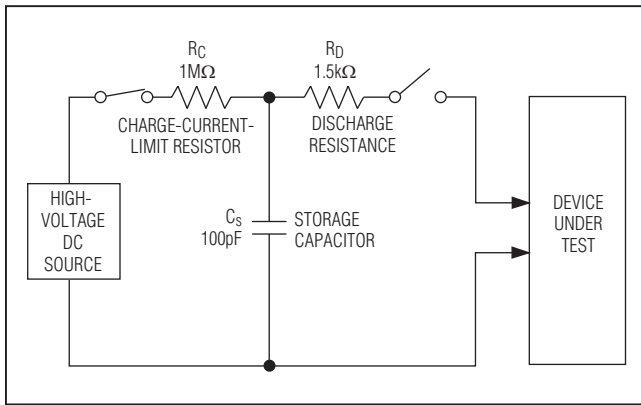


Figure 2a. Human Body ESD Test Model

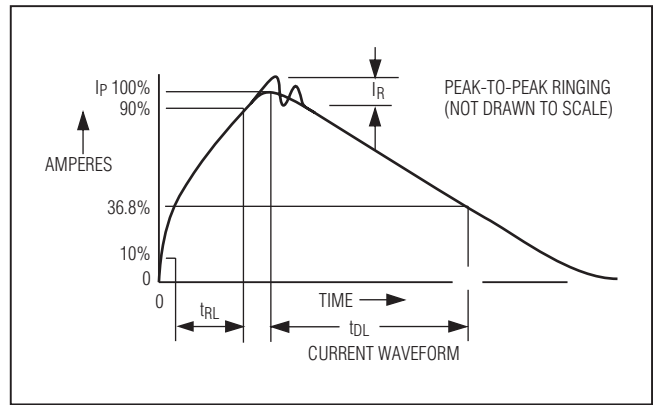


Figure 2b. Human Body Current Waveform

### External OVLO Adjustment Functionality

If OVLO is connected to ground, the internal OVLO comparator uses the internally set OVLO value.

If an external resistor-divider is connected to OVLO and  $V_{OVLO}$  exceeds the OVLO select voltage ( $V_{OVLO\_SELECT}$ ), the internal OVLO comparator reads the IN fraction fixed by the external resistor-divider.

$R1 = 1M\Omega$  is a good starting value for minimum current consumption. Since  $V_{IN\_OVLO}$ ,  $V_{OVLO\_THRESH}$ , and  $R1$  are known,  $R2$  can be calculated from the following formula:

$$V_{IN\_OVLO} = V_{OVLO\_THRESH} \times \left[ 1 + \frac{R1}{R2} \right]$$

This external resistor-divider is completely independent from the internal resistor-divider.

### ESD Test Conditions

ESD performance depends on a number of conditions.

The devices are specified for  $\pm 15kV$  (HBM) typical ESD resistance on IN when IN is bypassed to ground with a  $1\mu F$  ceramic capacitor.

### Human Body Model ESD Protection

Figure 2a shows the HBM and Figure 2b shows the current waveform it generates when discharged into a low-impedance state. This model consists of a  $100pF$  capacitor charged to the ESD voltage of interest, which is then discharged into the device through a  $1.5k\Omega$  resistor.

### Ordering Information/ Selector Guide

PART	PIN-PACKAGE	TOP MARK	OVLO (V)
MAX14586ETA+T	8 TDFN-EP*	BNJ	7
MAX14590ETA+T	8 TDFN-EP*	BNK	15

**Note:** All devices are specified over the  $-40^{\circ}C$  to  $+85^{\circ}C$  operating temperature range.

+Denotes a lead(Pb)-free/RoHS-compliant package.

T = Tape and reel.

\*EP = Exposed pad.

### Chip Information

PROCESS: BiCMOS

### Package Information

For the latest package outline information and land patterns (footprints), go to [www.maxim-ic.com/packages](http://www.maxim-ic.com/packages). Note that a "+", "#", or "-" in the package code indicates RoHS status only. Package drawings may show a different suffix character, but the drawing pertains to the package regardless of RoHS status.

PACKAGE TYPE	PACKAGE CODE	OUTLINE NO.	LAND PATTERN NO.
8 TDFN-EP	T822+2	<a href="#">21-0168</a>	<a href="#">90-0065</a>



# MAX14586/MAX14590

## High-Current Overvoltage Protectors with Adjustable OVLO

### *Revision History*

REVISION NUMBER	REVISION DATE	DESCRIPTION	PAGES CHANGED
0	3/11	Initial release	—

*Maxim cannot assume responsibility for use of any circuitry other than circuitry entirely embodied in a Maxim product. No circuit patent licenses are implied. Maxim reserves the right to change the circuitry and specifications without notice at any time.*

**Maxim Integrated Products, 120 San Gabriel Drive, Sunnyvale, CA 94086 408-737-7600 \_\_\_\_\_ 9**

# Mouser Electronics

Authorized Distributor

Click to View Pricing, Inventory, Delivery & Lifecycle Information:

[Maxim Integrated:](#)

[MAX14586ETA+T](#) [MAX14590ETA+T](#)